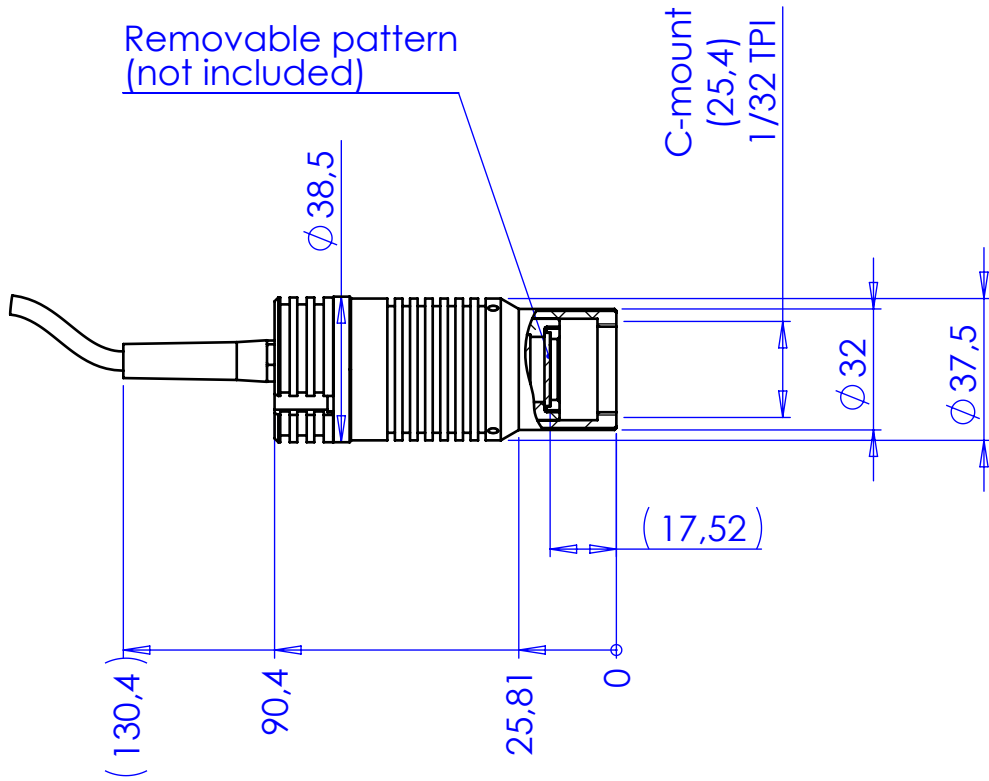


1	2	3	4
Rev No.	Description	Date	Name



Material		N.A.			Mass	119 g	Scale	1:2
Surface treatment		N.A.			Part No.	CO71574		
all dimensions are in mm	Geometrical tolerance (ISO 2768-2)			Class	K	Undimensioned bevels		Description
	Linear tolerance (ISO 2768-2)			Class	m	0.5x45°		
	0.5 ±3	>3± 6	>6± 30	>30± 120	>120 ±400	>400± 1000	>1000 ±2000	>2000 ±4000
±0.1	±0.1	±0.2	±0.3	±0.5	±0.8	±1.2	±2	
 <b>OPTO ENGINEERING</b> <small>THE TELECENTRIC COMPANY</small>		Date		Name		Drawing No.		Sheet
		Designed	10/07/2014	Santini		DP 71574-A		1/1
		Drawn	10/07/2014	Rodella				
		Checked						
<b>OPTO ENGINEERING S.r.l. - Mantova Italy - Tel. +39 0376 699111 - www.opto-engineering.com</b>								
<i>Secret and confidential - All rights reserved - No copy, dissemination or circulation is allowed unless specifically authorized in writing by OPTO ENGINEERING S.r.l. - Any violation shall be legally prosecuted.</i>								