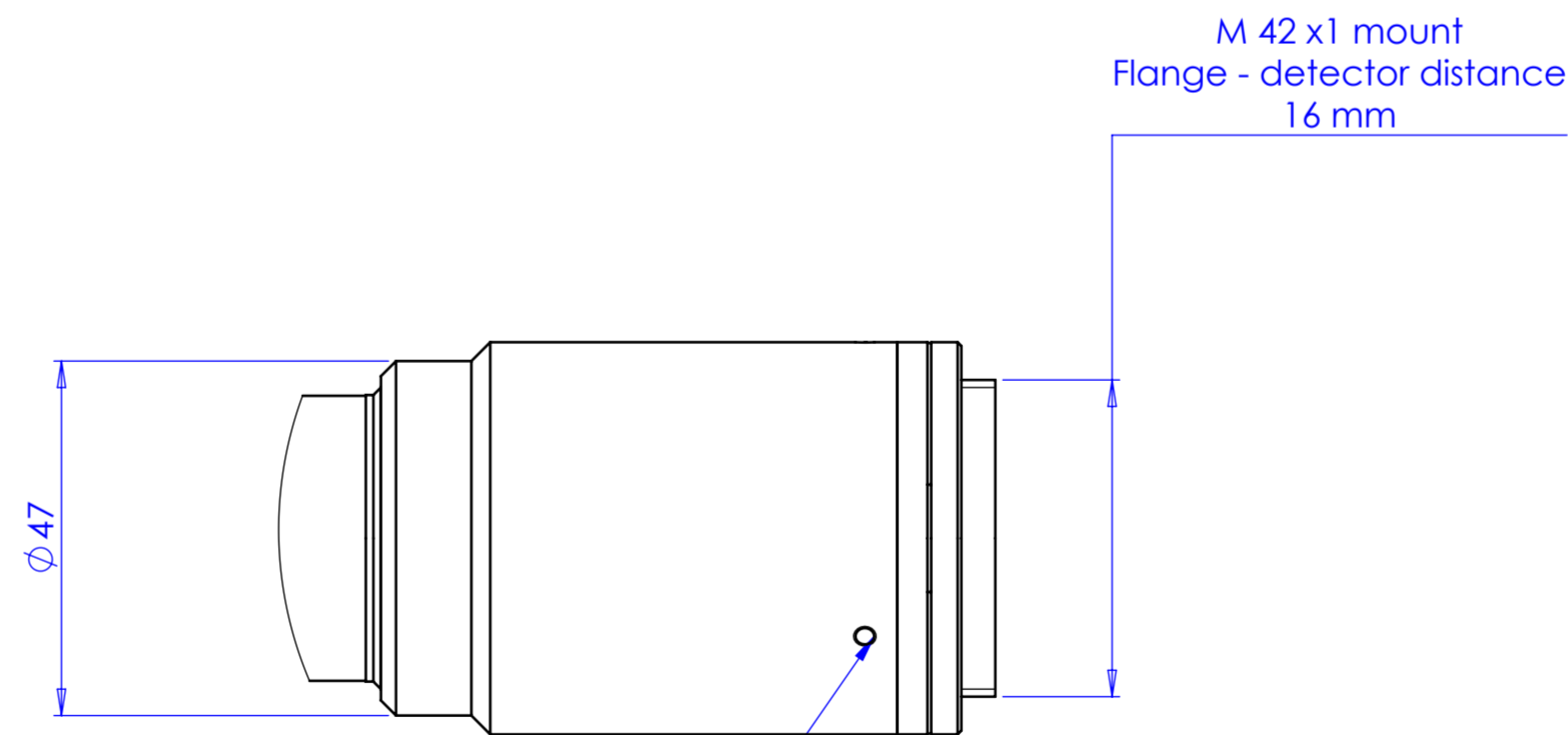
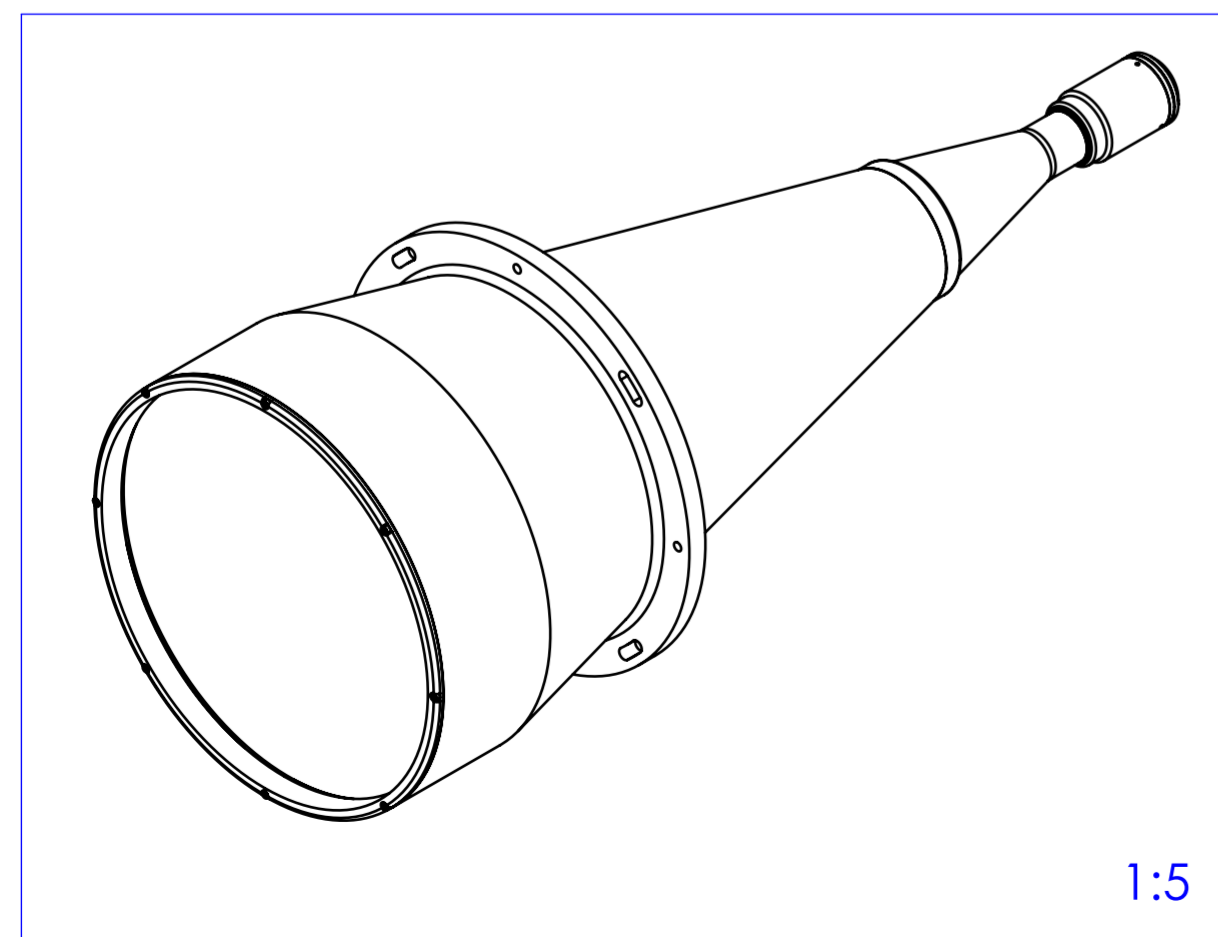
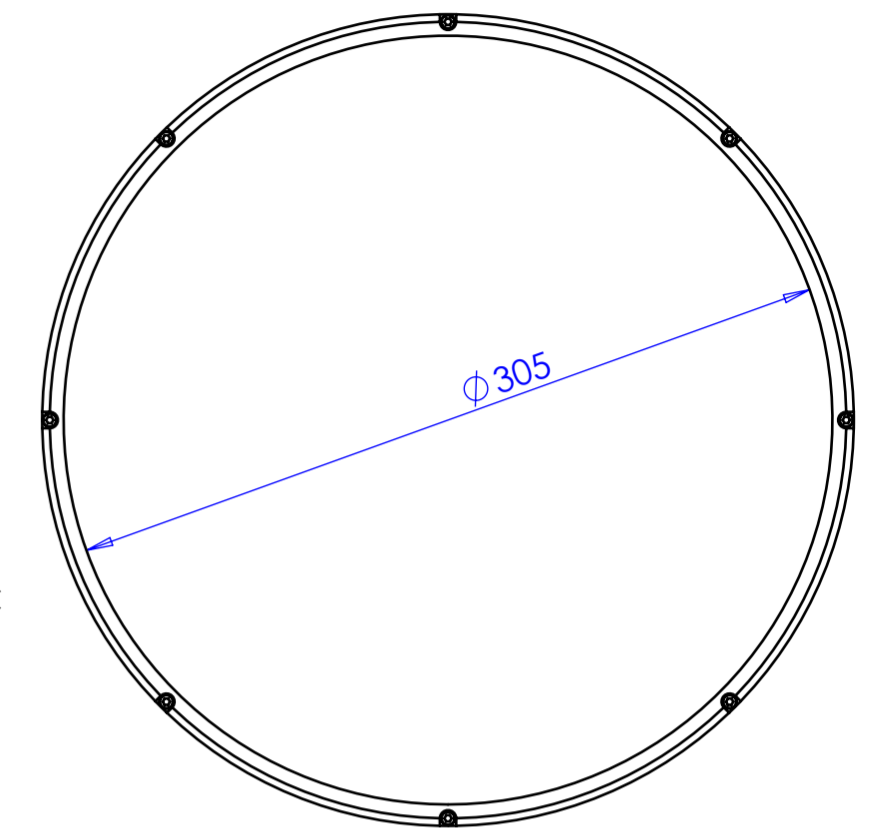
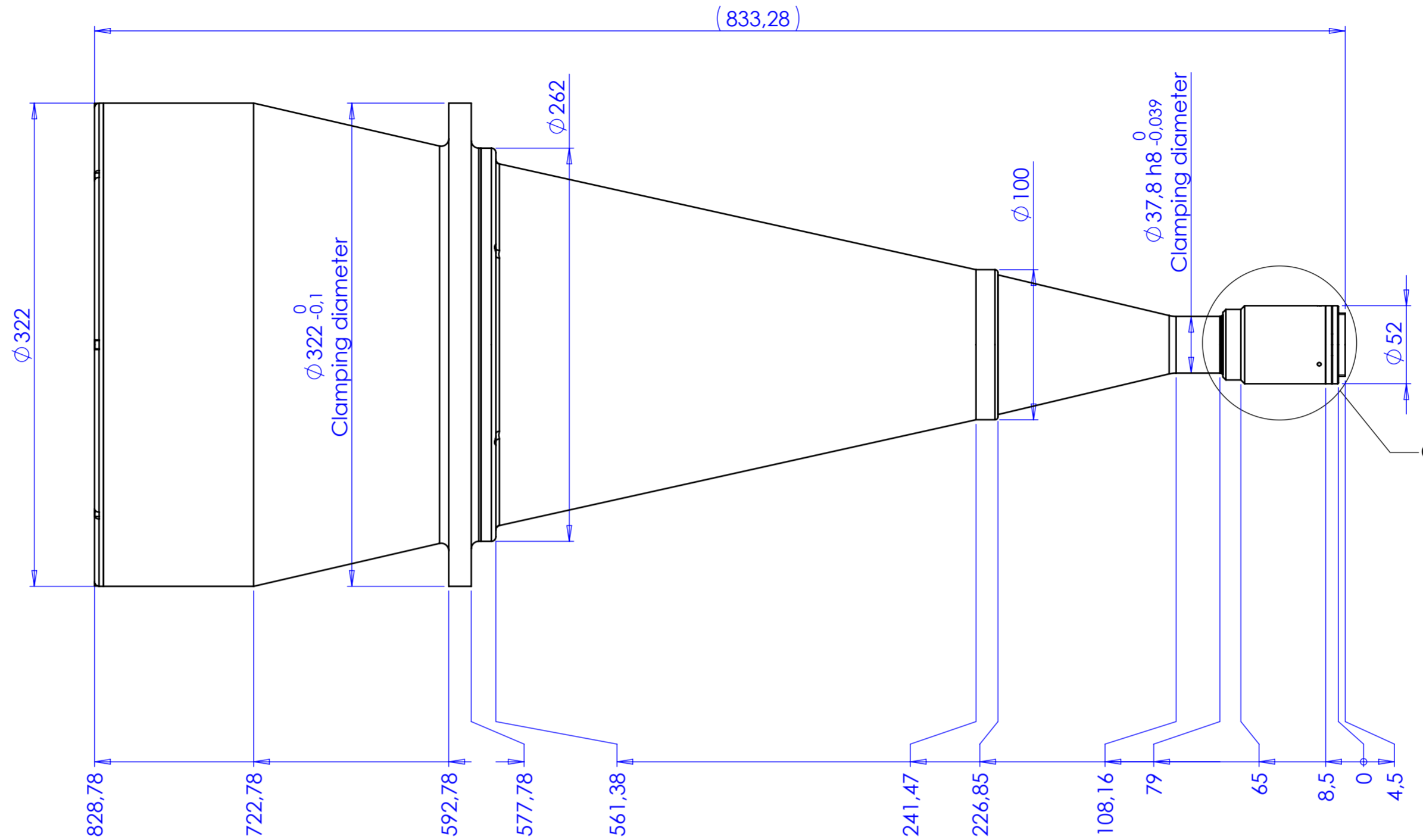
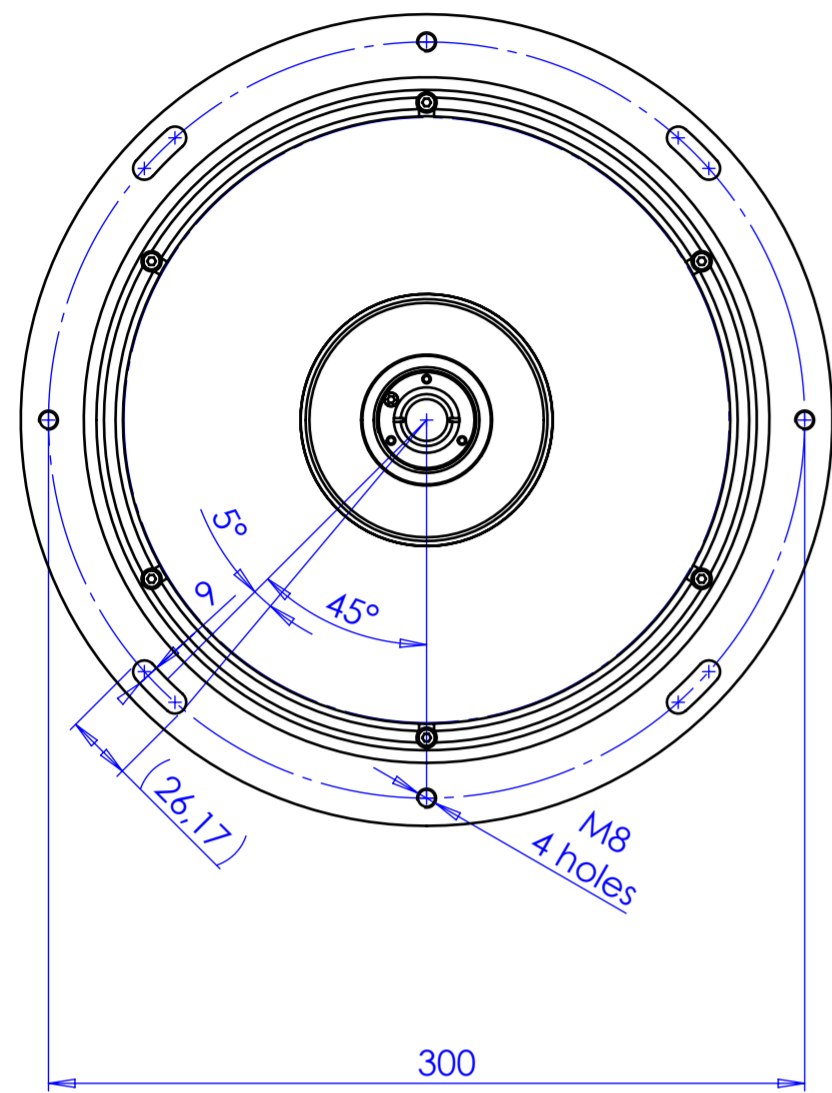


Rev No.	Description	Date	Name
B	Variazione nome	08/07/2014	Vasconetto



Material	N.A.	Mass	18453 g	Scale	1:3
Surface treatment	N.A.	Part No.	CO71455		
Geometrical tolerance (ISO 2768-2)		Class	K	Undimensioned bevels	0.5x45°
Linear tolerance (ISO 2768-2)		Class	m	Undimensioned radii	R 0.5
0.5	>3+	>6+	>30+	>120	>400+
+3	6	30	120	+400	+1000
+0.1	+0.1	+0.2	+0.3	+0.5	+0.8
					+2
Date		Name			
Designed 04/04/2014		Vasconetto			
Drawn 05/06/2014		Rodella			
Checked					
Drawing No.		Sheet			
DP 71455-B		1/1			

OPTO ENGINEERING S.r.l. - Mantova Italy - Tel. +39 0376 699111 - www.opto-engineering.com

Secret and confidential - All rights reserved - No copy, dissemination or circulation is allowed unless specifically authorized in writing by OPTO ENGINEERING S.r.l. - Any violation shall be legally prosecuted.