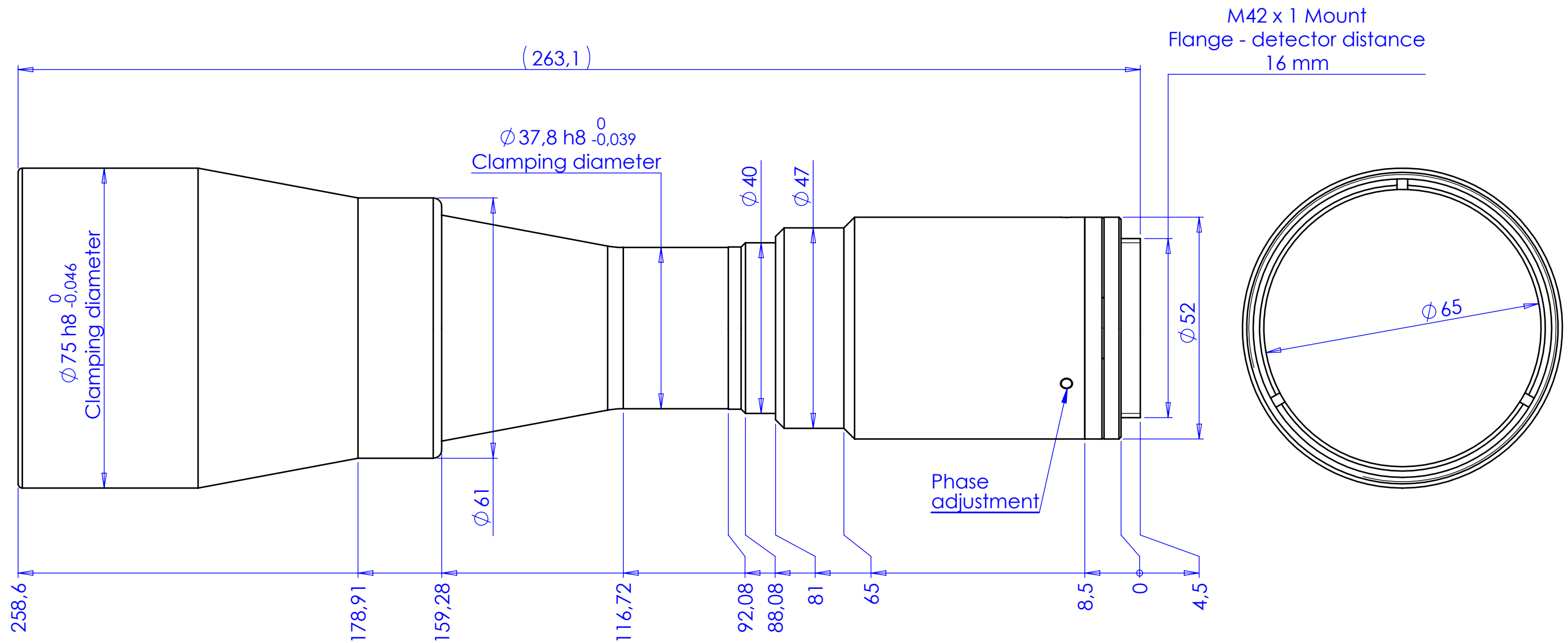


| Rev No. | Description | Date | Name |
|---------|-----------------|------------|------------|
| B | Variazione nome | 08/07/2014 | Vasconetto |
| | | | |



| | | | | | | | | |
|--|----------|-----------|---|--------------|----------------------|----------------|-------------|----------------|
| Material | N.A. | | | Mass | 881 g | Scale | 1:1 | |
| Surface treatment | N.A. | | | Part No. | CO71431 | | | |
| Geometrical tolerance (ISO 2768-2) | | | Class | K | Description | | | |
| Linear tolerance (ISO 2768-2) | | | Class | m | Undimensioned bevels | 0,5x45° | TC4MHR048-E | |
| 0.5 ±3 | >3± 6 | >6± 30 | >30± 120 | >120 ±400 | >400± 1000 | >1000 ±2000 | | >2000 ±4000 |
| ±0.1 | ±0.1 | ±0.2 | ±0.3 | ±0.5 | ±0.8 | ±1.2 | ±2 | |
| Undimensioned radii | | | R 0.5 | | Drawing No. | | | |
| | | | Date | Name | Sheet | | | |
| | | | Designed | 04/04/2014 | Vasconetto | DP 71431 - B | | |
| | | | Drawn | 05/06/2014 | Rodella | 1/1 | | |
| Checked | | | <i>Secret and confidential - All rights reserved - No copy, dissemination or circulation is allowed unless specifically authorized in writing by OPTO ENGINEERING S.r.l. - Any violation shall be legally prosecuted.</i> | | | | | |
| OPTO ENGINEERING S.r.l. - Mantova Italy - Tel. +39 0376 699111 - www.opto-engineering.com | | | | | | | | |

all dimensions are in mm