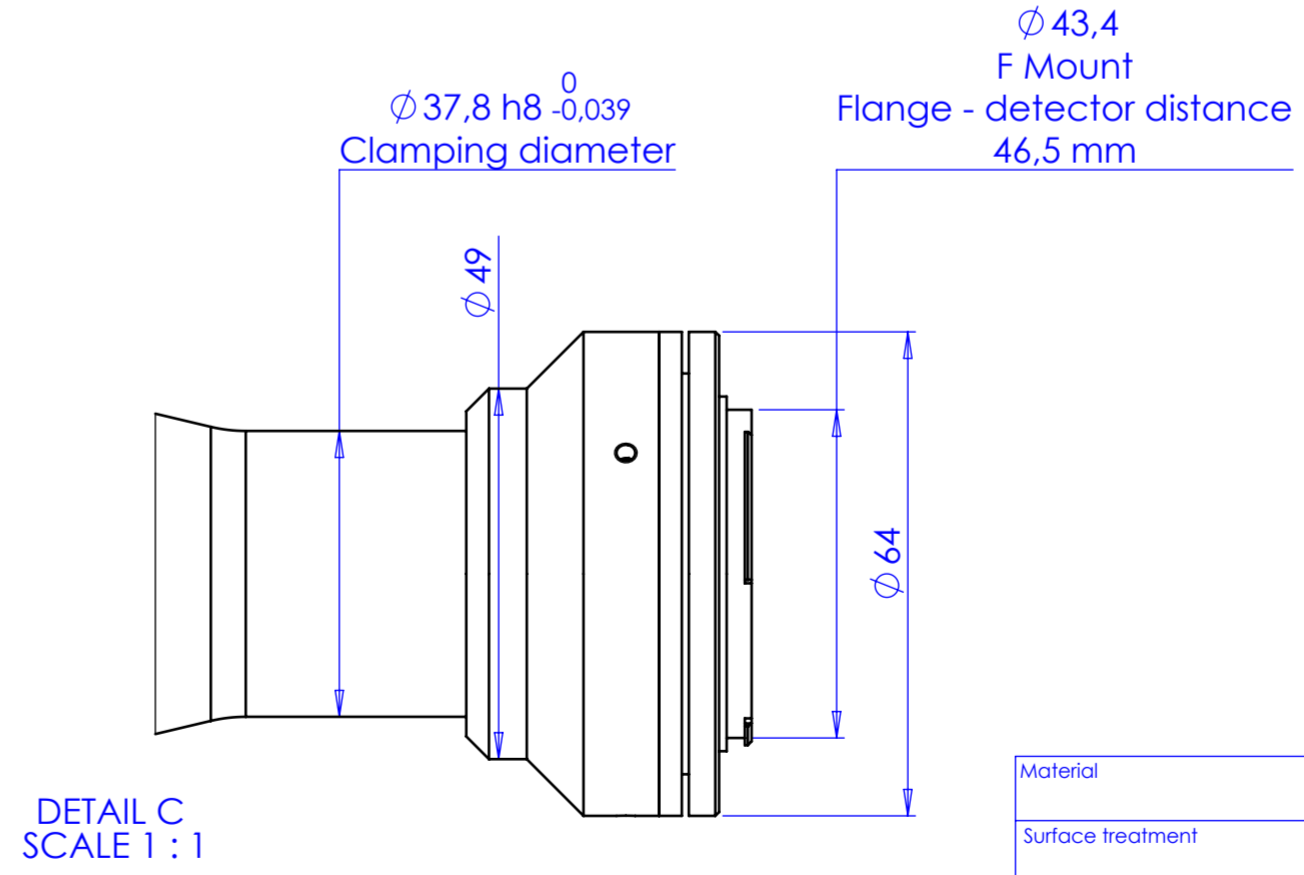
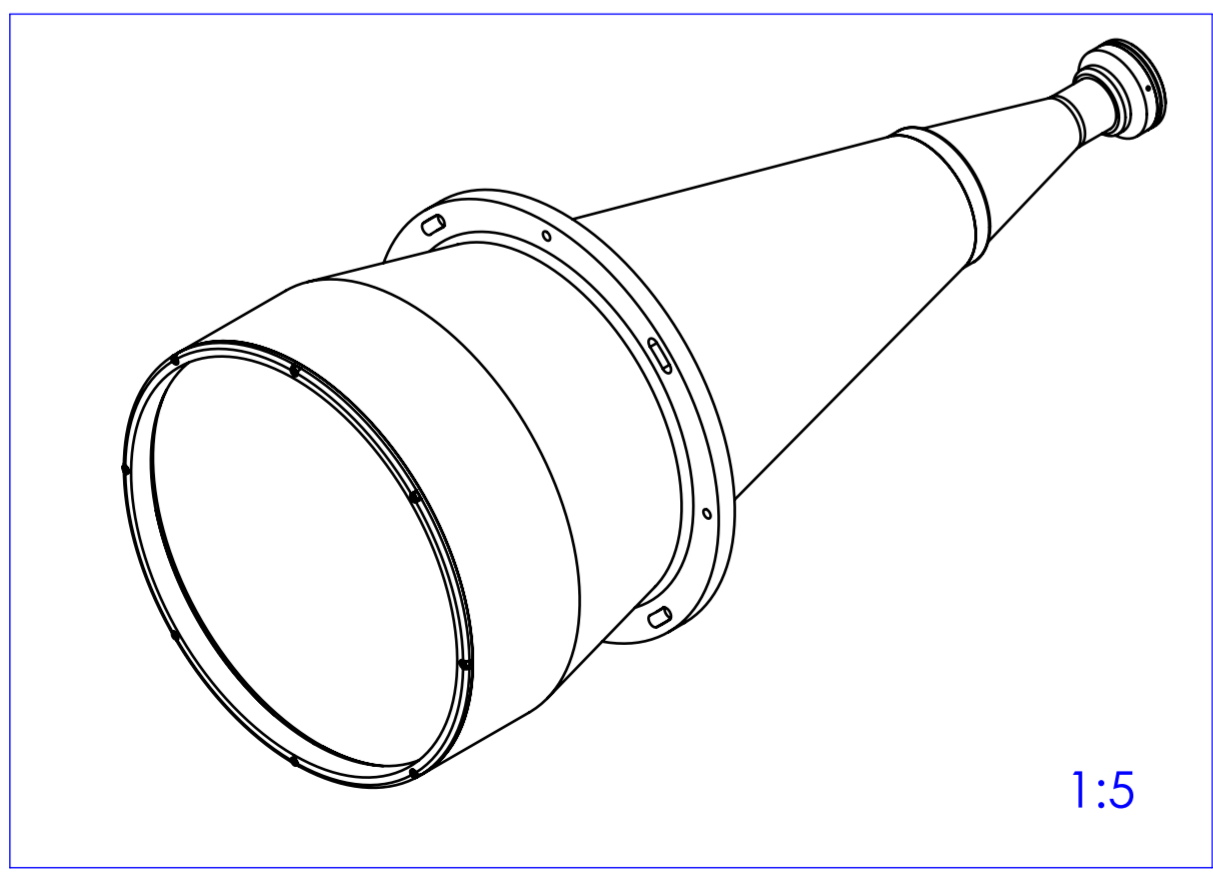
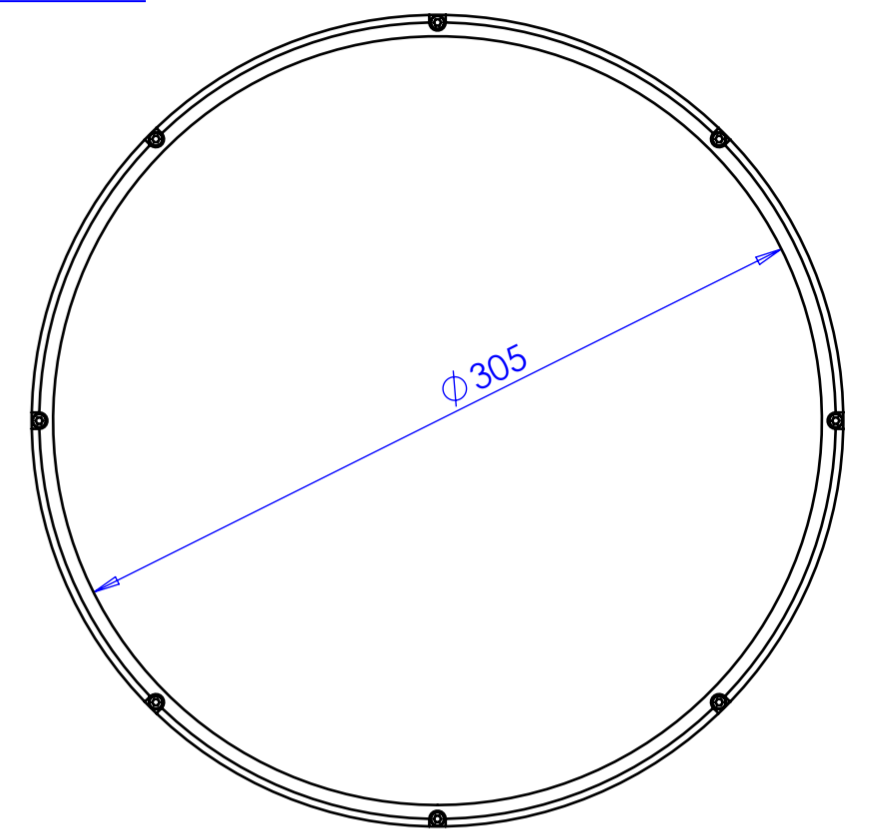
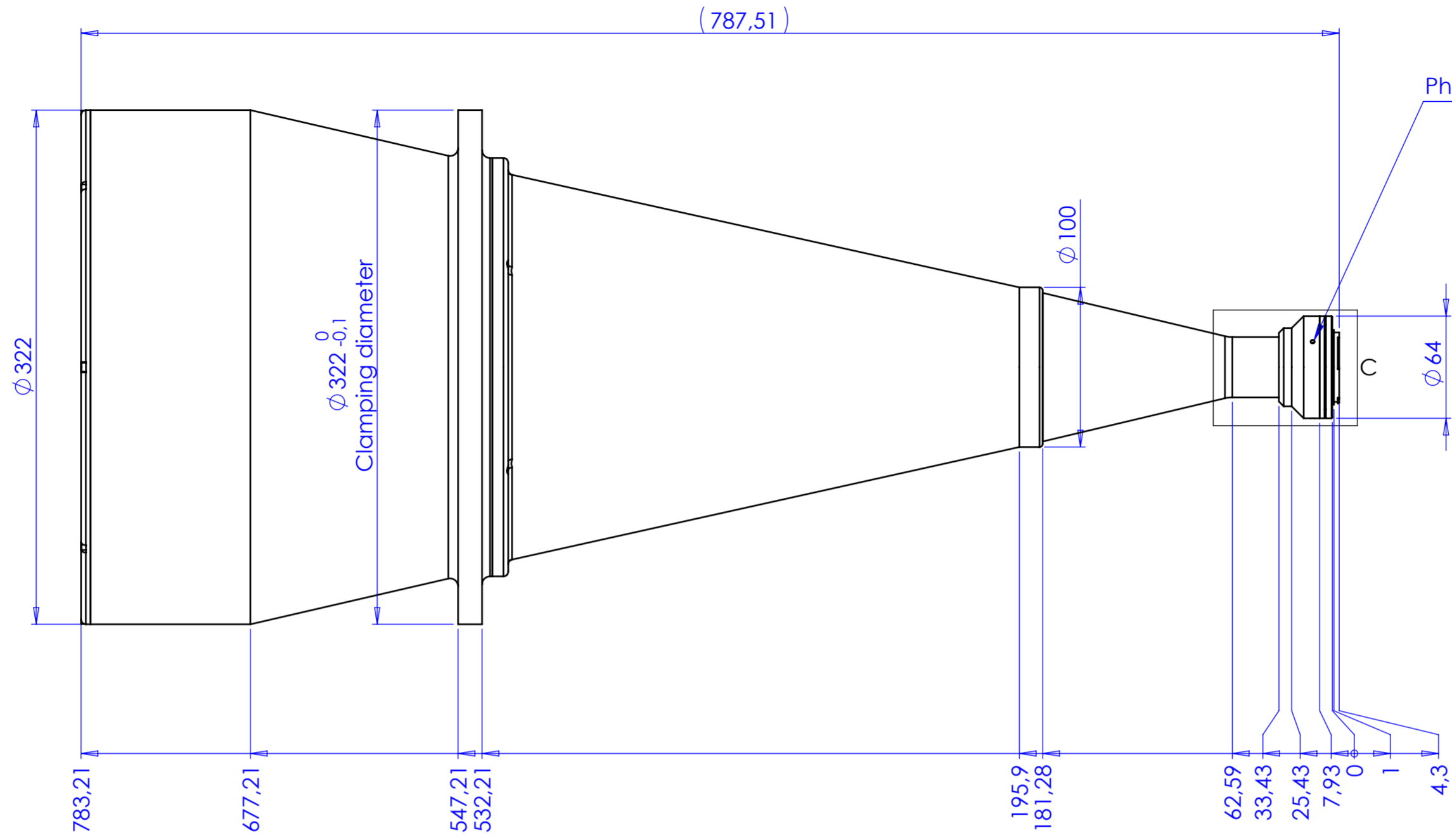
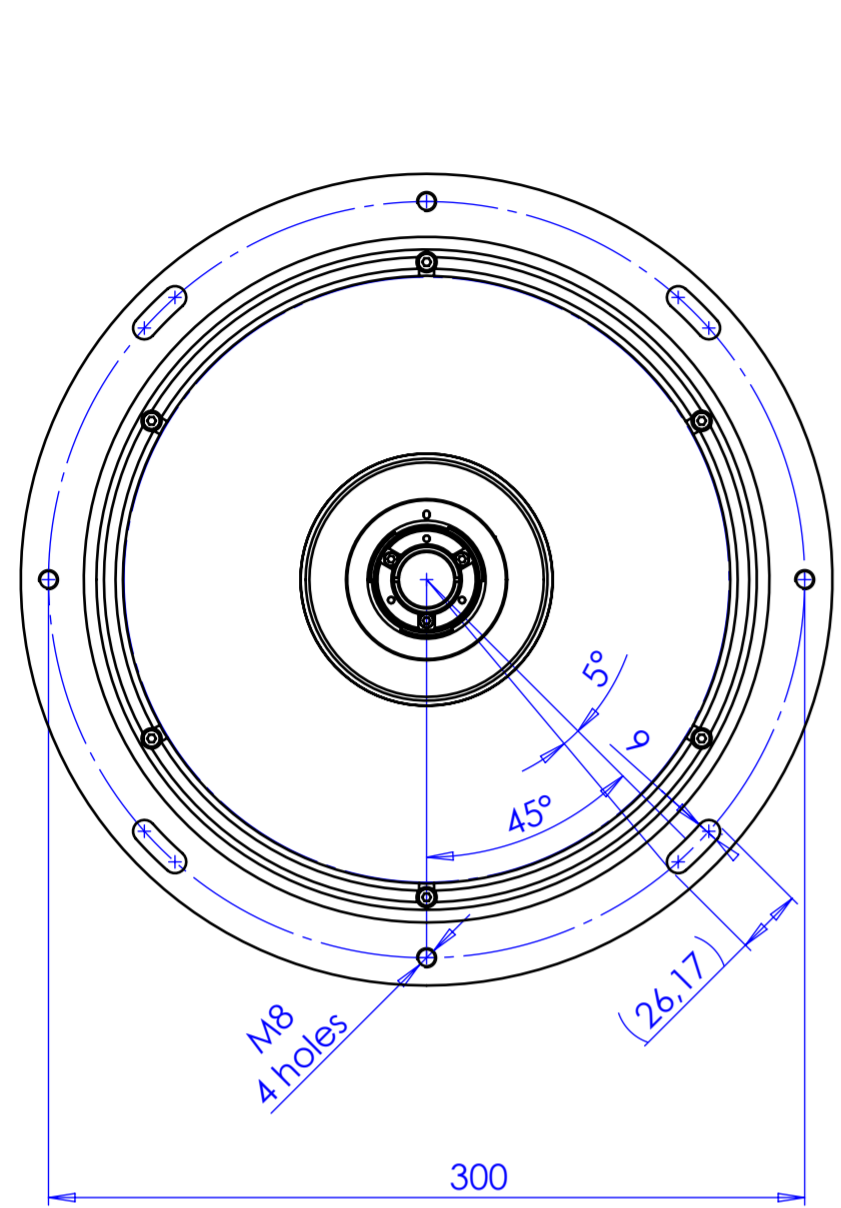


Rev No.	Description	Date	Name
B	Variazione nome	08/07/2014	Vasconetto



Material	N.A.	Mass	18498 g	Scale	1:3							
Surface treatment	N.A.	Part No.	CO71418									
Geometrical tolerance (ISO 2768-2)	Class	K	Undimensioned bevels	0,5x45°	Description							
Linear tolerance (ISO 2768-2)	Class	m	Undimensioned radii	R 0,5	TC2MHR240-F							
0.5 +3	>3+	>6+	>30+	>120	>400+	>1000	>2000	>4000	Date	Name	Drawing No.	Sheet
±0,1	±0,1	±0,2	±0,3	±0,5	±0,8	±1,2	±2	04/04/2014	Vasconetto	DP 71418-B	1/1	
										Drawn: 05/06/2014 Rodella Checked:		
OPTO ENGINEERING S.r.l. - Mantova Italy - Tel. +39 0376 699111 - www.opto-engineering.com												

Secret and confidential - All rights reserved -  
No copy, dissemination or circulation is allowed unless  
specifically authorized in writing by OPTO ENGINEERING  
S.r.l. - Any violation shall be legally prosecuted.