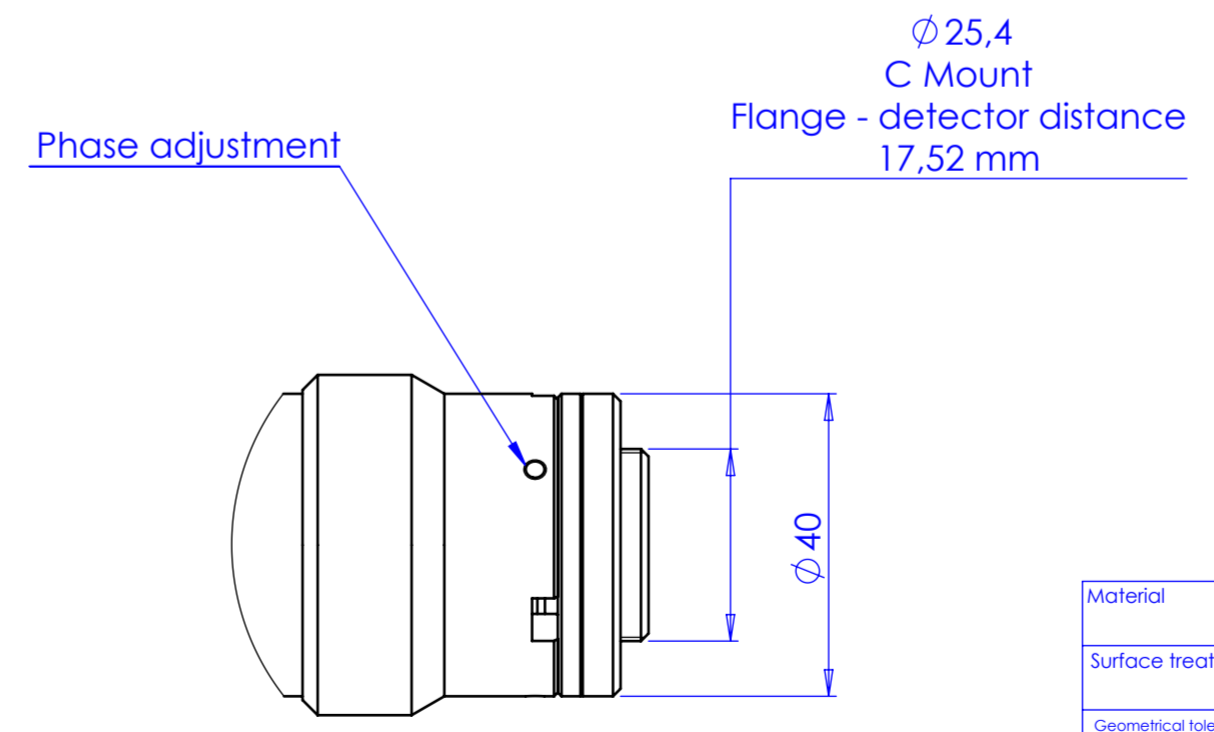
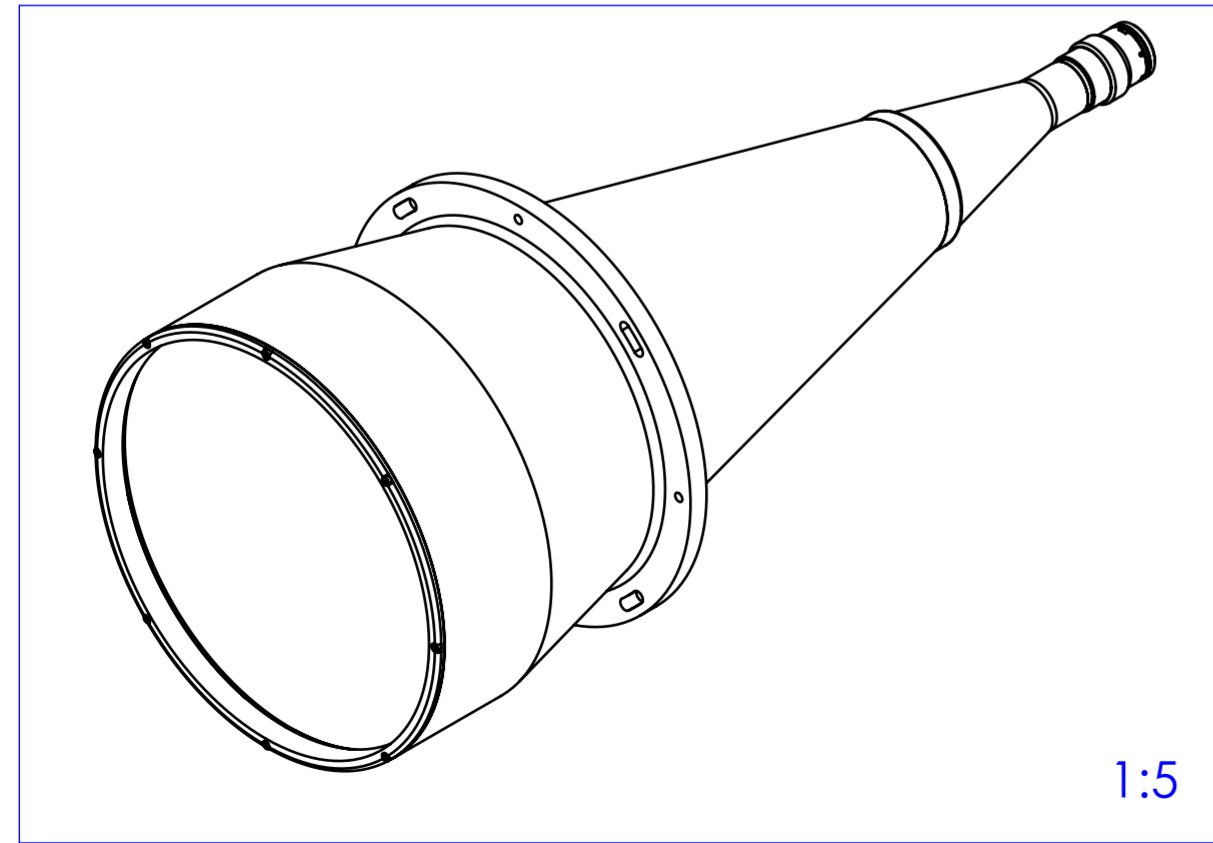
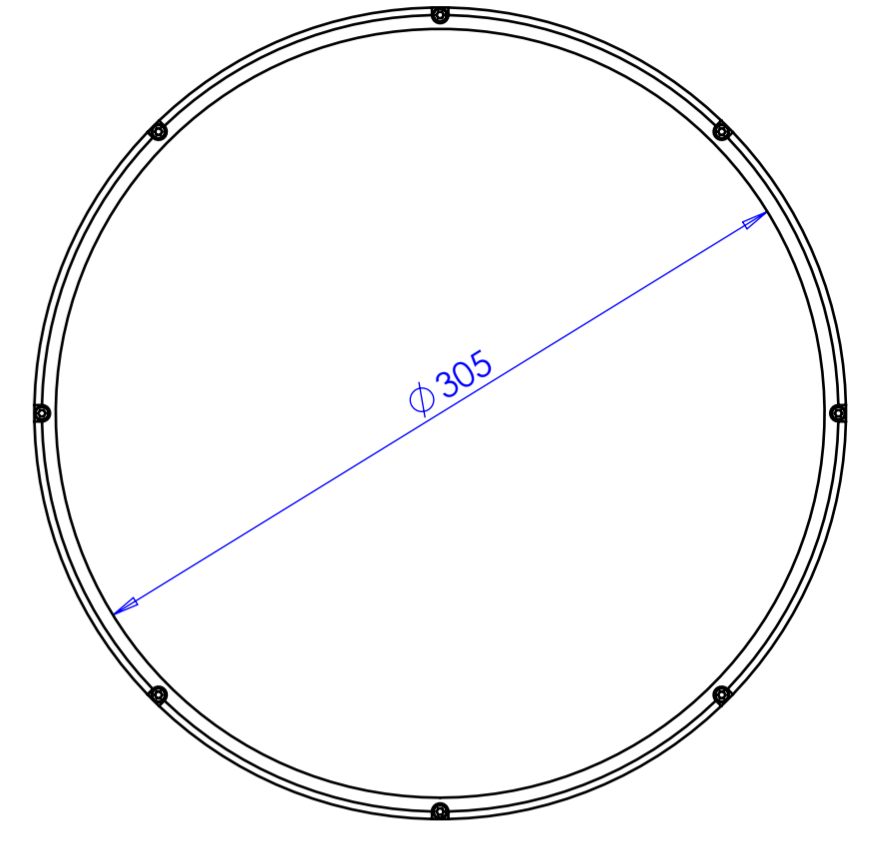
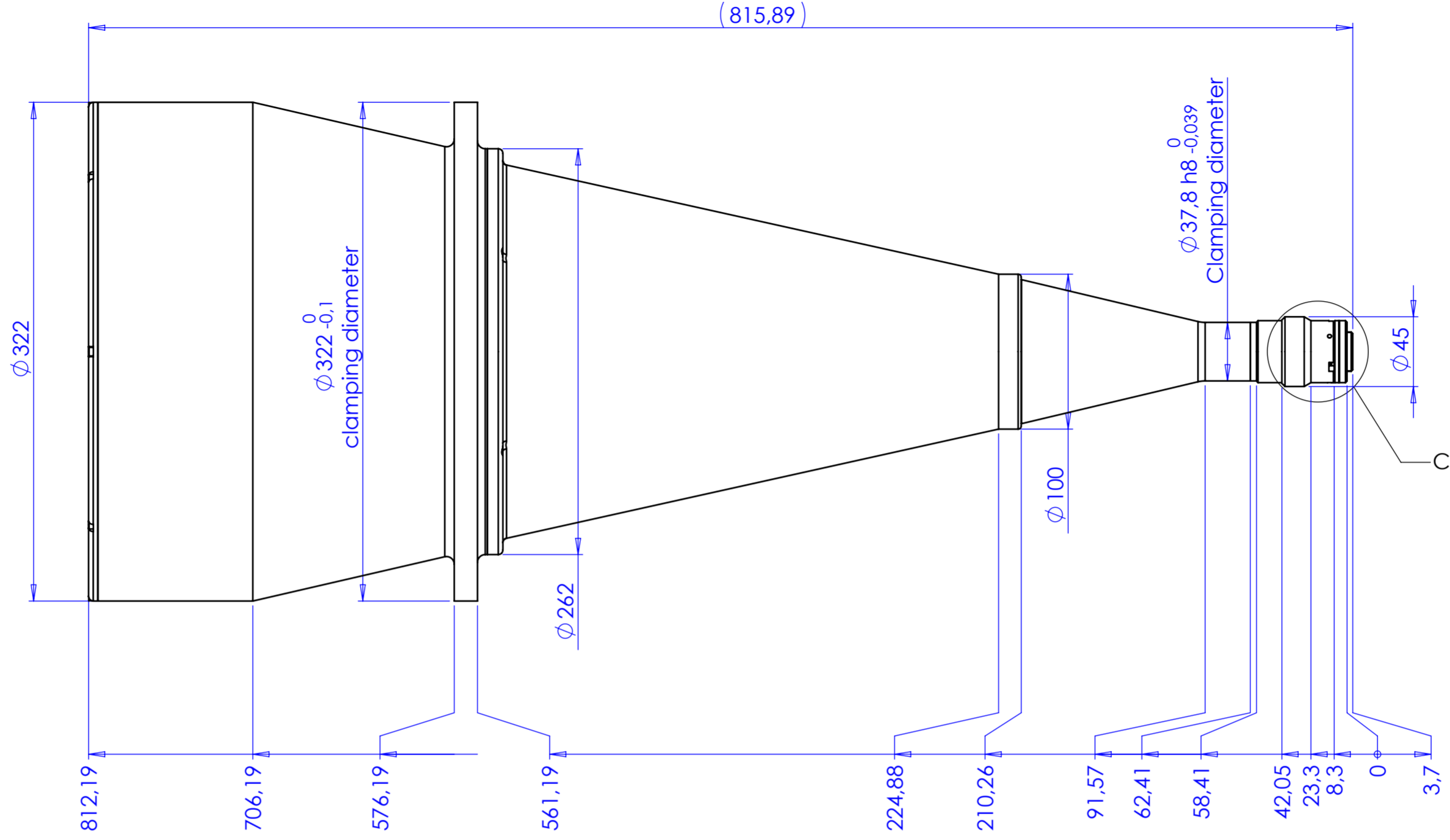
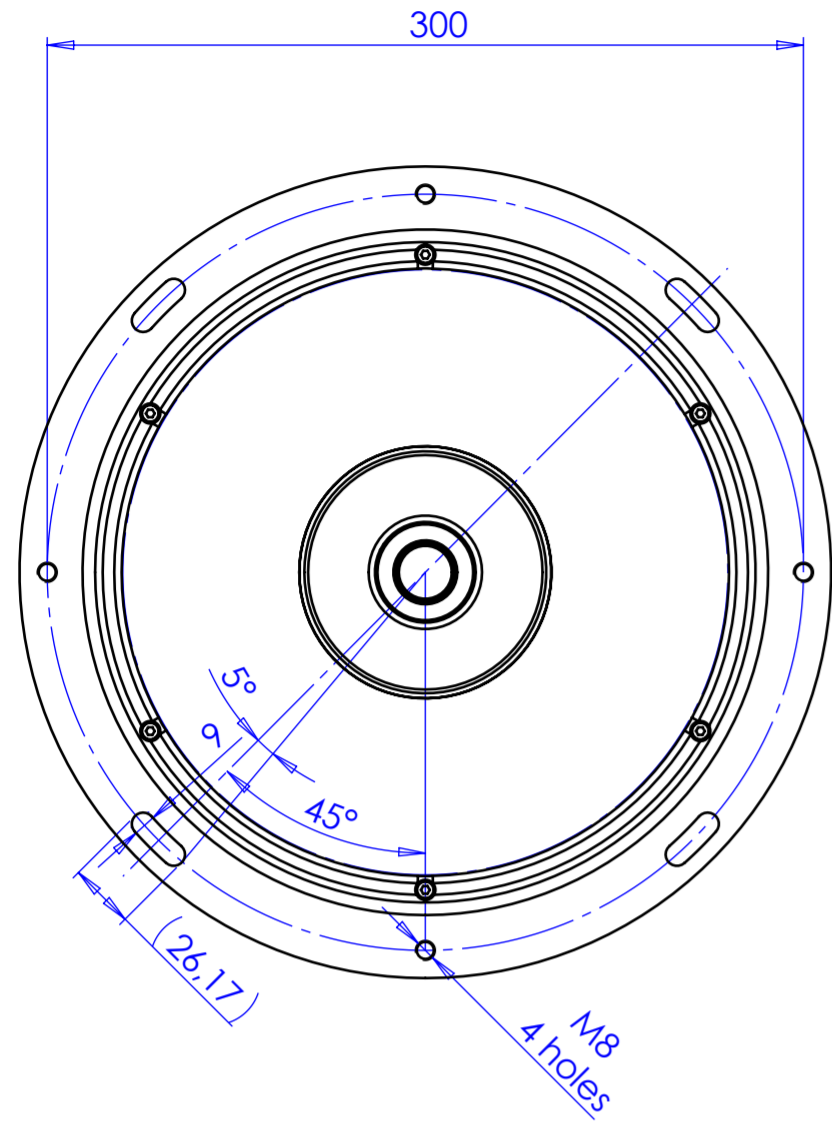


Rev No.	Description	Date	Name
B	Variazione nome	08/07/2014	Vasconetto



Material	N.A.	Mass	18359 g	Scale	1:3
Surface treatment	N.A.	Part No.	CO71417		
Geometrical tolerance (ISO 2768-2)	Class	K	Undimensioned bevels	0,5x45°	Description
Linear tolerance (ISO 2768-2)	Class	m	Undimensioned radii	R 0,5	TC2MHR240-C
0,5	>3+	>6+	>30+	>120	>400+
+3	6	30	120	+400	+1000
+0,1	±0,1	±0,2	±0,3	±0,5	±0,8
					±1,2
					±2
Date		Name		Drawing No.	
Designed 04/04/2014		Vasconetto		DP 71417-B	
Drawn 05/06/2014		Rodella		Sheet	
Checked				1/1	

Secret and confidential - All rights reserved - No copy, dissemination or circulation is allowed unless specifically authorized in writing by OPTO ENGINEERING S.r.l. - Any violation shall be legally prosecuted.