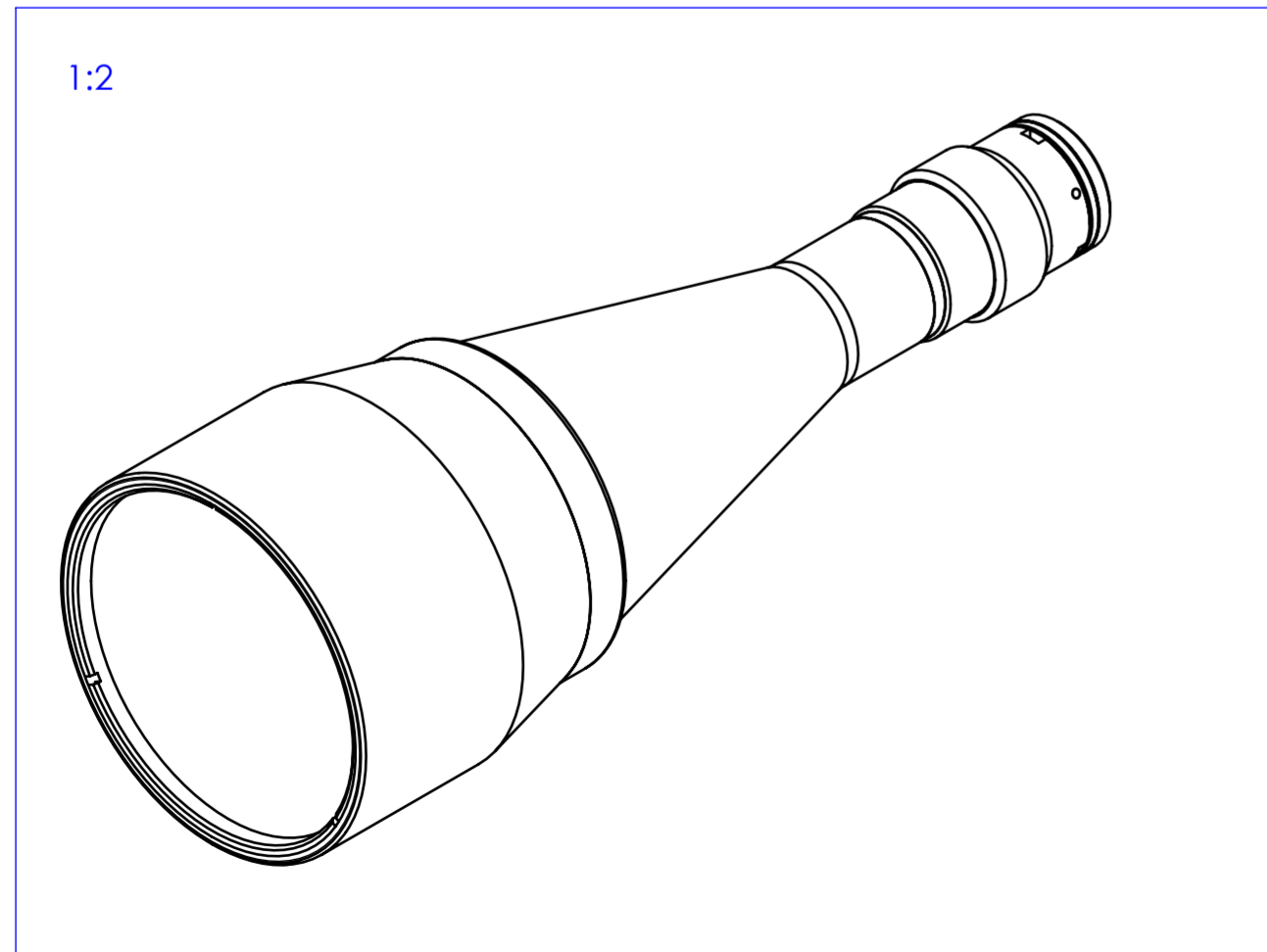
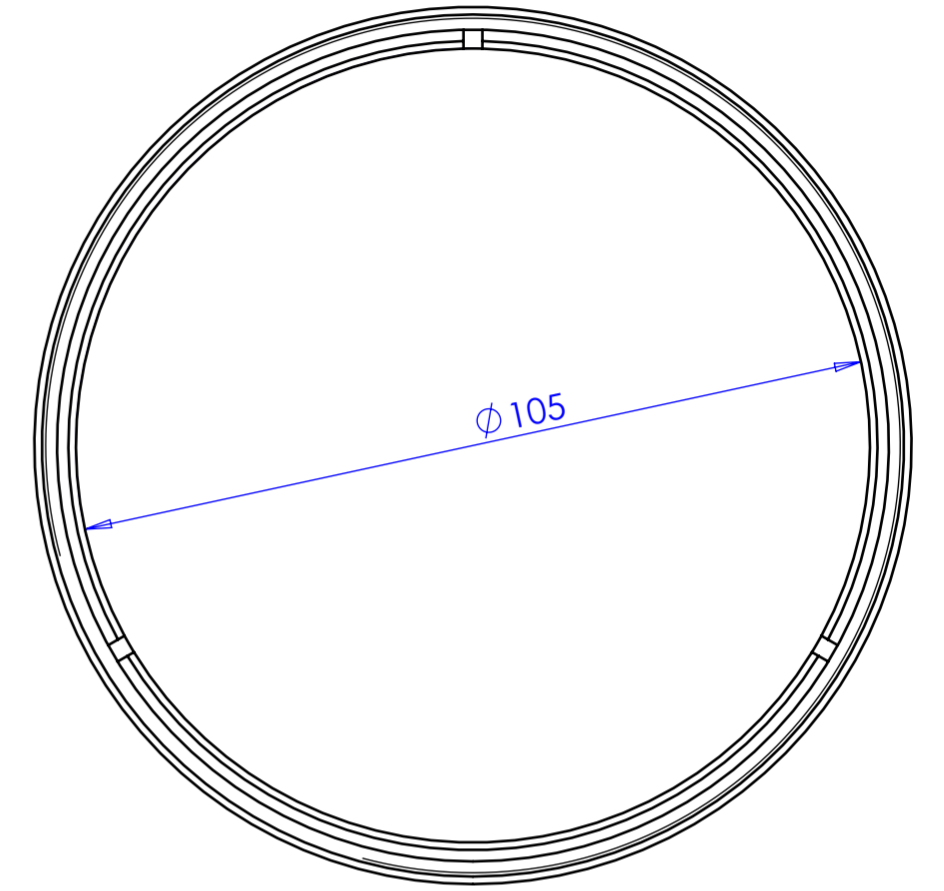
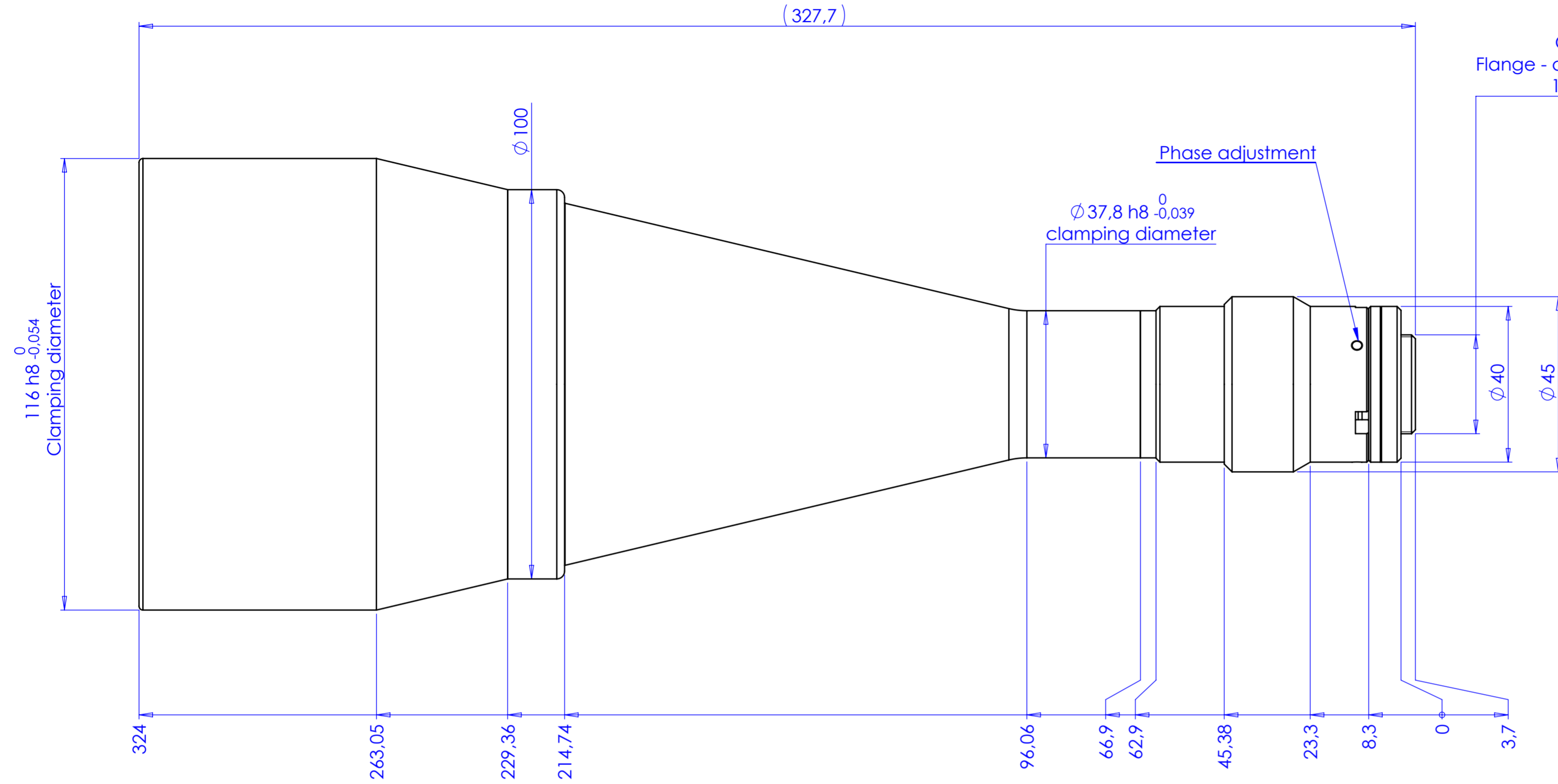


Rev No.	Description	Date	Name
B	Variazione nome	08/07/2014	Vasconetto



Material	N.A.	Mass	1513 g	Scale	1:1
Surface treatment	N.A.	Part No.	CO71402		
Geometrical tolerance (ISO 2768-2)		Class	K	Undimensioned bevels	0.5x45°
Linear tolerance (ISO 2768-2)		Class	m	Undimensioned radii	R 0.5
0.5	>3+	>6+	>30+	>120	>400+
+3	6	30	120	+400	1000
±0.1	±0.1	±0.2	±0.3	±0.5	±0.8
					±1.2
					±2
Description		TC2MHR080-C			
Drawing No.		DP 71402-B			
Designed		04/04/2014 Vasconetto			
Drawn		05/06/2014 Rodella			
Checked					
Date		Name			
Sheet		1/1			