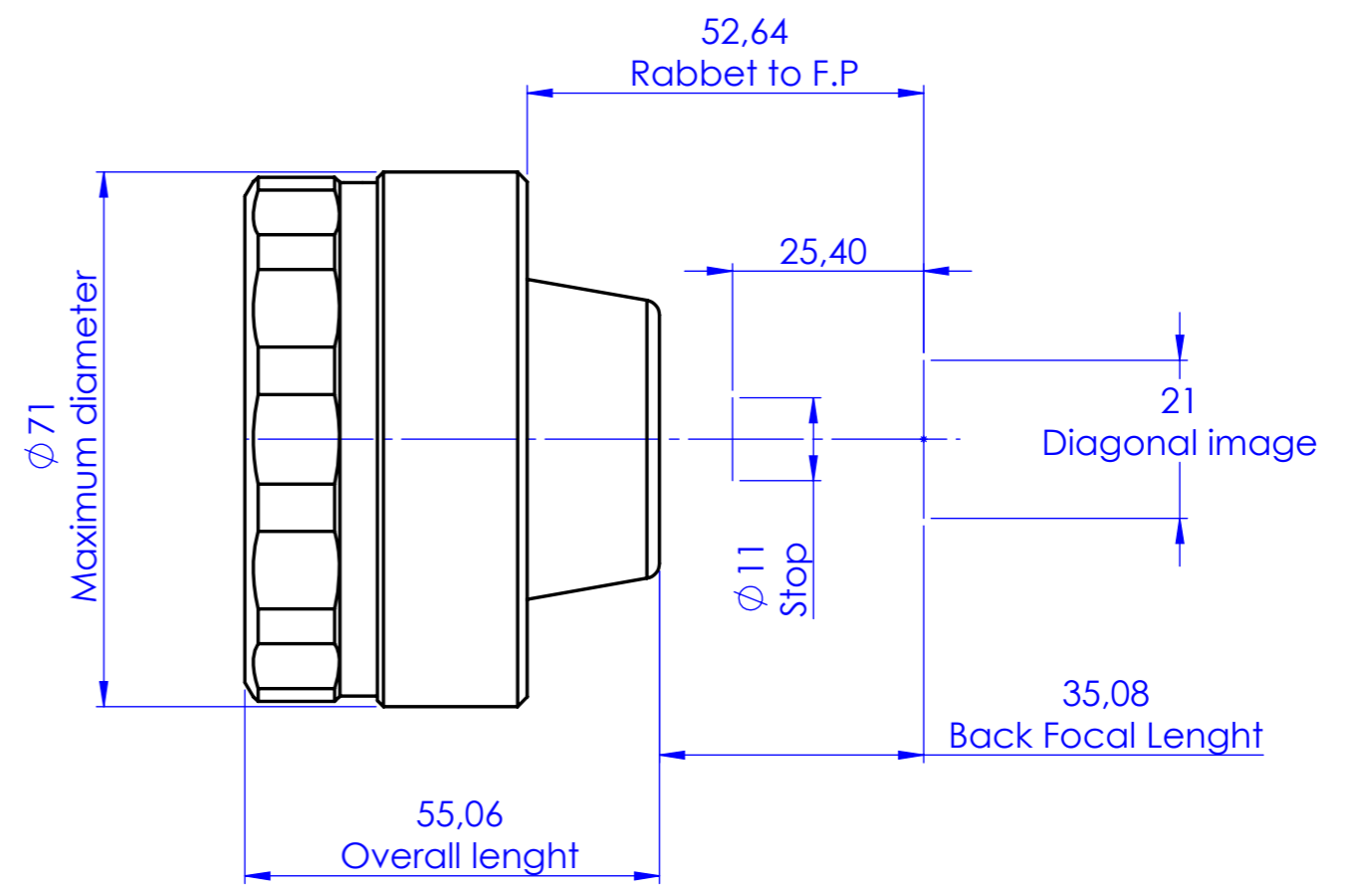
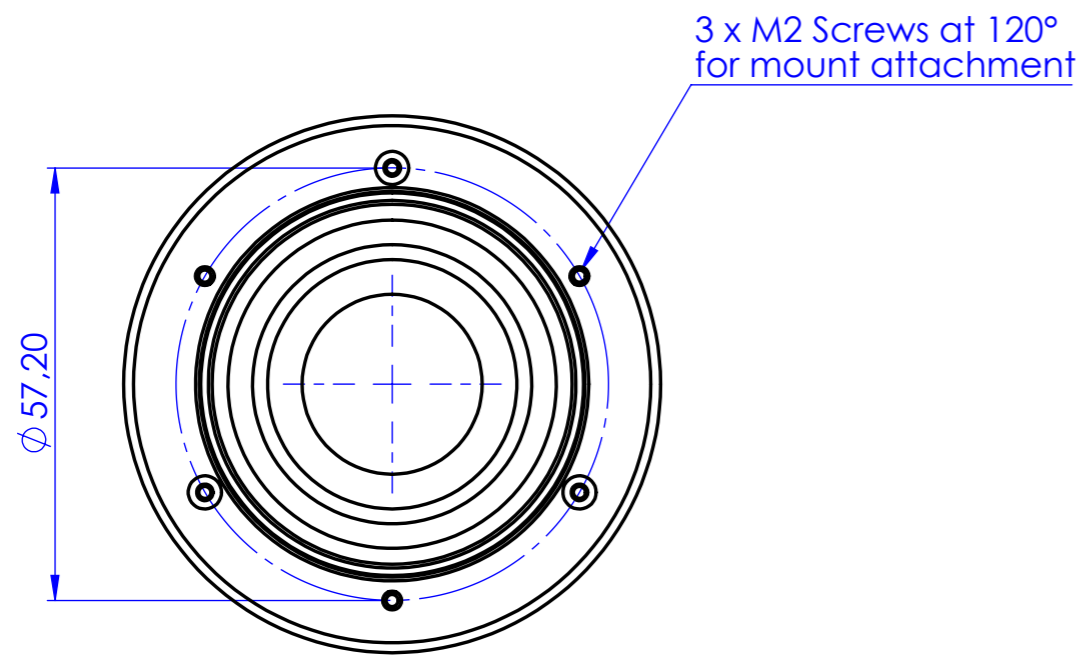
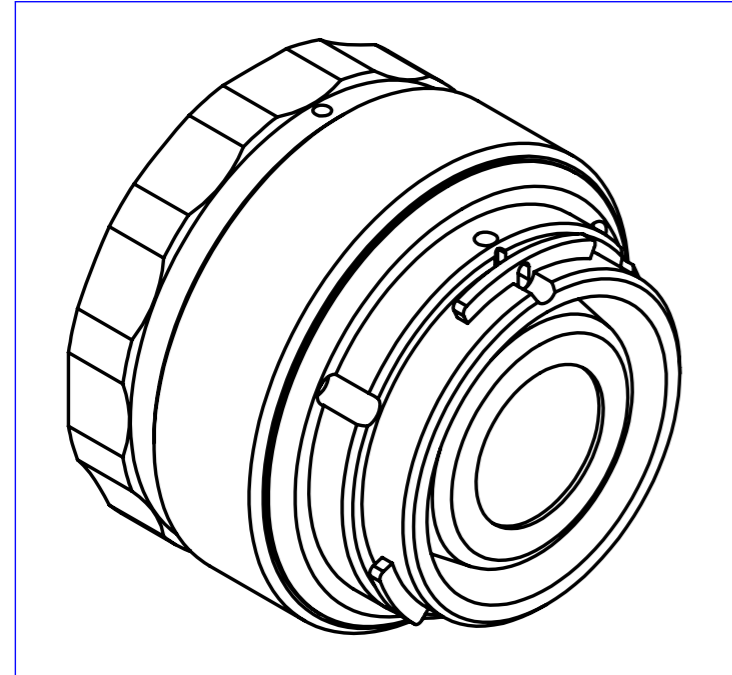
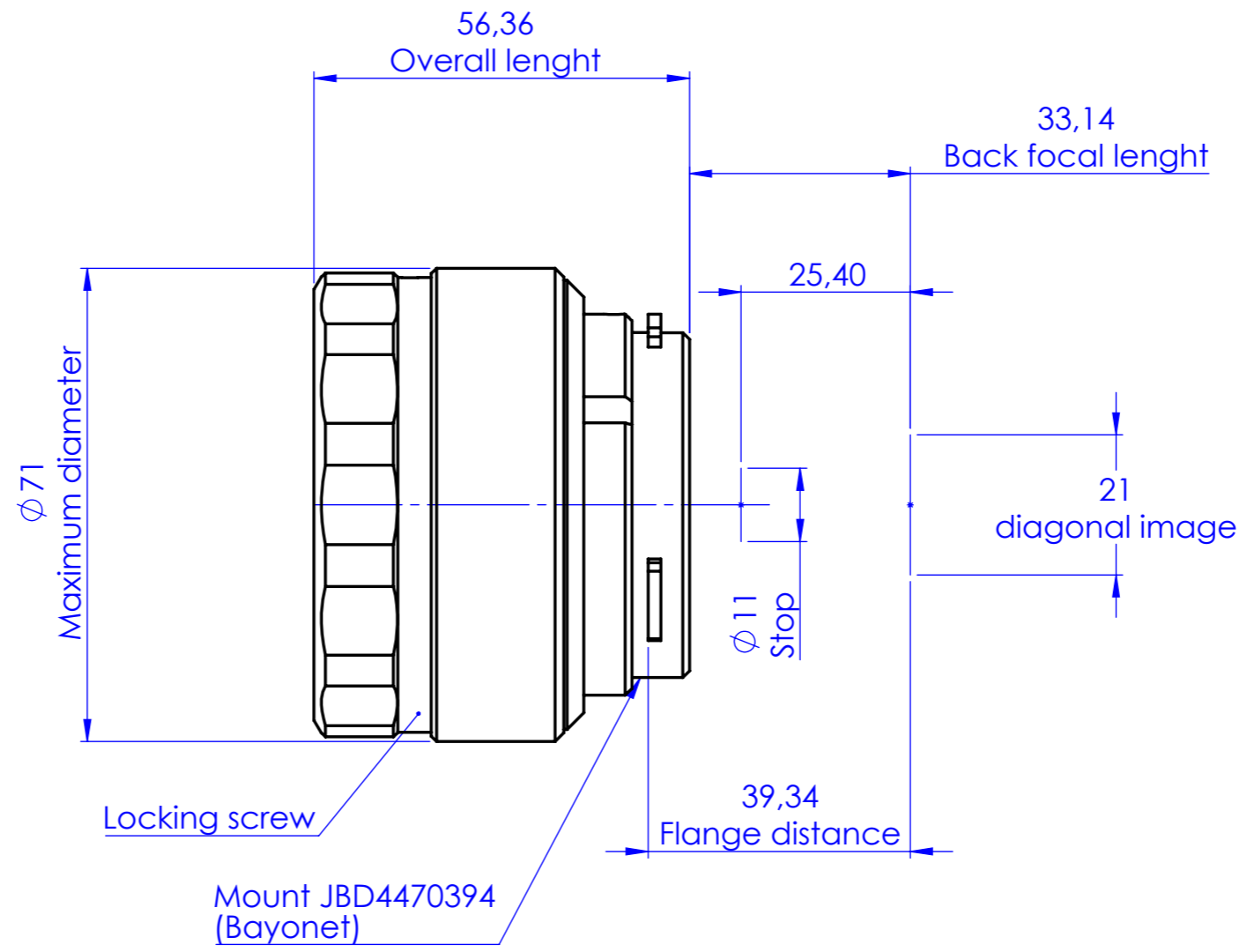


Rev No.	Description	Date	Name



Material		N.A				Mass	245 g	Scale	1:1	
Surface treatment		N.A				Part No. CO71297				
Geometrical tolerance (ISO 2768-2)				Class	K	Description		MW05023		
Linear tolerance (ISO 2768-2)				Class	m	Undimensioned bevels	0,5x45°	Drawing No. DP71297-A		
0.5 ±3	>3± 6	>6± 30	>30± 120	>120 ±400	>400± 1000	>1000 ±2000	>2000 ±4000	Sheet 1/2		
±0.1	±0.1	±0.2	±0.3	±0.5	±0.8	±1.2	±2	Undimensioned radii R 0.5		
OPTO ENGINEERING S.r.l. - Mantova Italy - Tel. +39 0376 699111 - www.opto-engineering.com		Date	Name	Drawing No.		Sheet		Secret and confidential - All rights reserved - No copy, dissemination or circulation is allowed unless specifically authorized in writing by OPTO ENGINEERING S.r.l. - Any violation shall be legally prosecuted.		
		Designed	21/08/16	Angelosante	DP71297-A		1/2			
		Drawn	09/03/16	Rodella						
Checked										

Rev No.	Description	Date	Name



Material	N.A			Mass	390 g	Scale	1:1
Surface treatment	N.A			Part No.	CO71297		
Geometrical tolerance (ISO 2768-2)			Class	K	Description		
Linear tolerance (ISO 2768-2)			Class	m	Undimensioned bevels	0,5x45°	MW05023
0,5 ±3	>3± 6	>6± 30	>30± 120	>120 ±400	>400± 1000	>1000 ±2000	
±0,1	±0,1	±0,2	±0,3	±0,5	±0,8	±1,2	±2
Undimensioned radii			R 0,5		Drawing No.		
 OPTO ENGINEERING S.r.l. - Mantova Italy - Tel. +39 0376 699111 - www.opto-engineering.com			Date	Name	Sheet		
			Designed	21/08/16	Angelosante	DP71297-A	
			Drawn	09/03/16	Rodella	2/2	
Checked			Secret and confidential - All rights reserved - No copy, dissemination or circulation is allowed unless specifically authorized in writing by OPTO ENGINEERING S.r.l. - Any violation shall be legally prosecuted.				