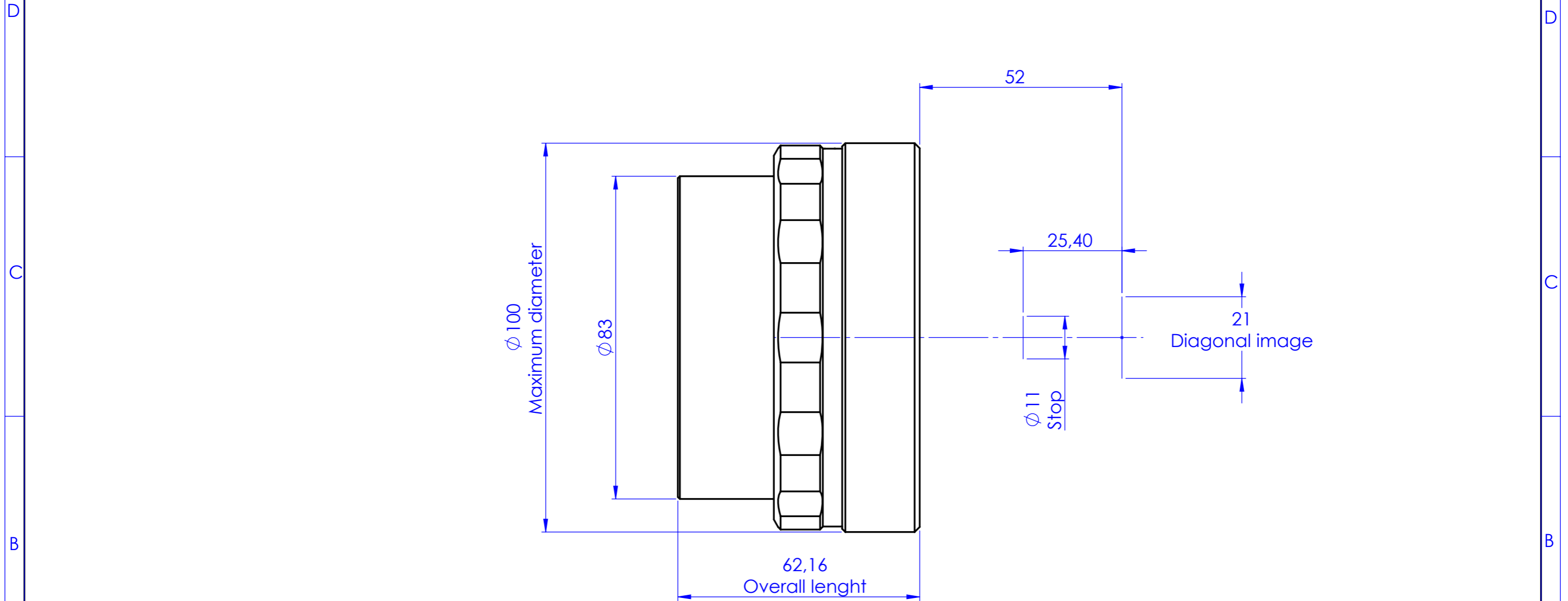


1 2 3 4 5 6 7 8

Rev No.	Description	Date	Name

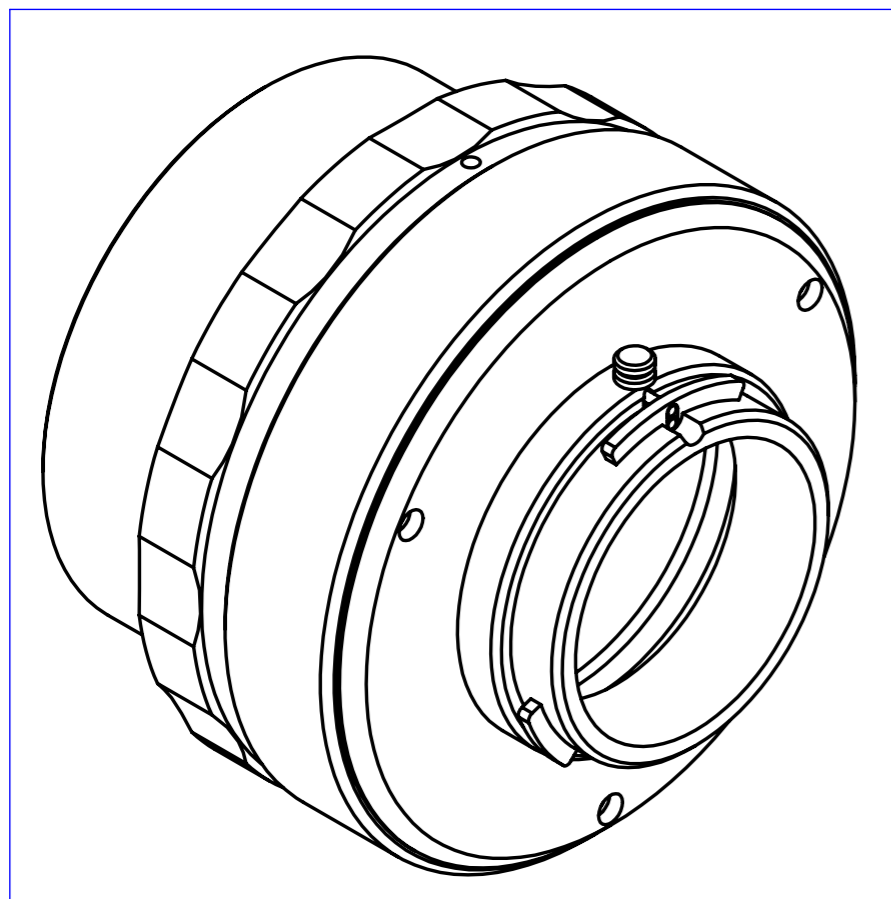
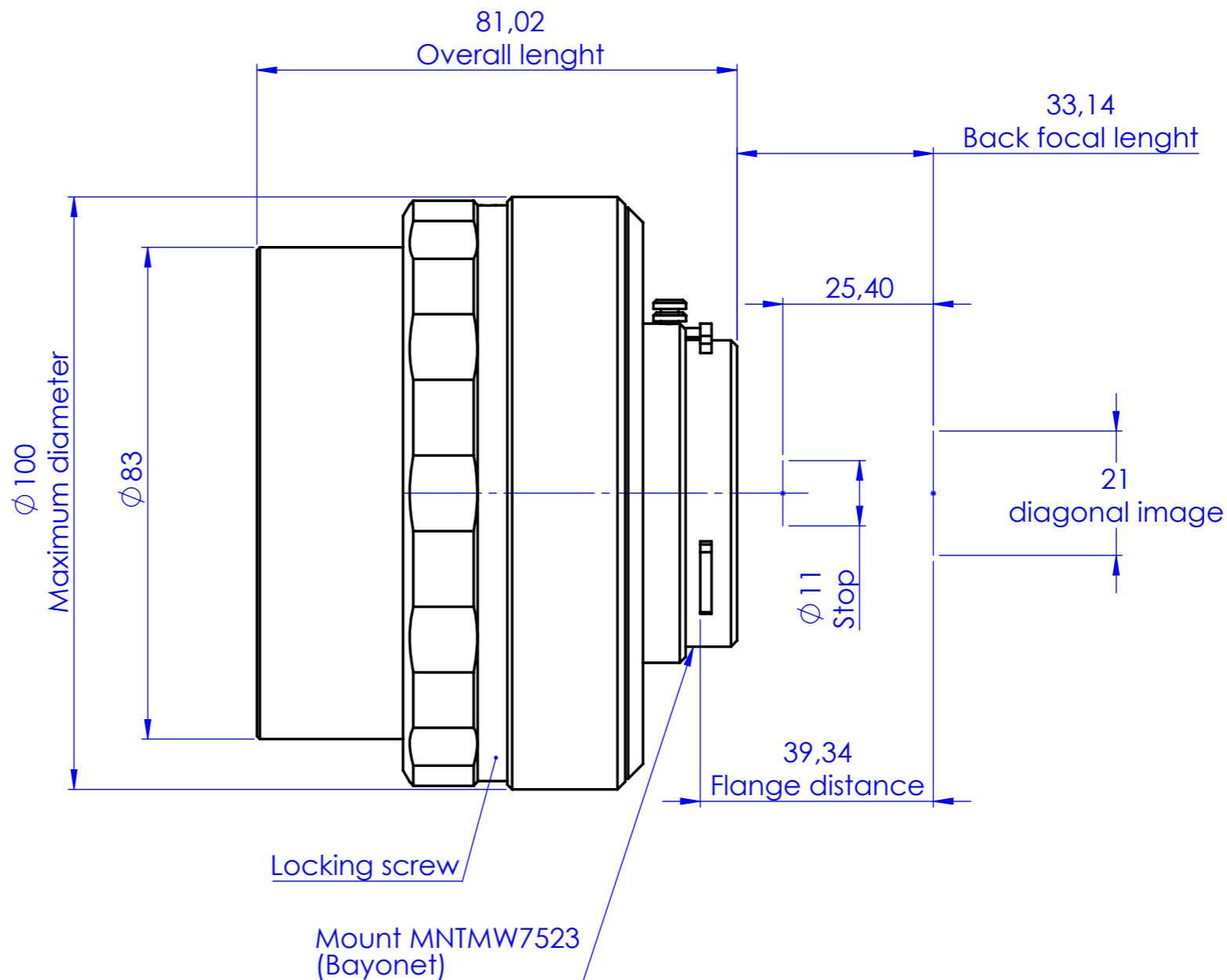


all dimensions are in mm	Material		N.A				Mass	650 g	Scale	1:1	
	Surface treatment		N.A				Part No.	CO24841			
	Geometrical tolerance (ISO 2768-2)						Class	K	Description		
	Linear tolerance (ISO 2768-2)						Class	m	Undimensioned bevels	0,5x45°	MW07523
	0,5 ±3	>3± 6	>6± 30	>30± 120	>120 ±400	>400± 1000	>1000 ±2000	>2000 ±4000	Undimensioned radii	R 0,5	
	±0,1	±0,1	±0,2	±0,3	±0,5	±0,8	±1,2	±2			
 <b>OPTO ENGINEERING</b> <small>THE TELECENTRIC COMPANY</small>		Date		Name		Drawing No.		Sheet			
		Designed		21/08/16		Angelosante		DP24841-A		1/2	
		Drawn		09/03/16		Rodella					
		Checked									
<b>OPTO ENGINEERING S.r.l. - Mantova Italy - Tel. +39 0376 699111 - www.opto-engineering.com</b>											
<small>Secret and confidential - All rights reserved - No copy, dissemination or circulation is allowed unless specifically authorized in writing by OPTO ENGINEERING S.r.l. - Any violation shall be legally prosecuted.</small>											

1 2 3 4 5 6 7 8

0 1 2 3 4 5 6 7 8 9 10

Rev No.	Description	Date	Name



Material	N.A.		Mass	876 g	Scale	1:1
Surface treatment	N.A.		Part No.	CO24841		
Geometrical tolerance (ISO 2768-2)	Class	K	Undimensioned bevels	0,5x45°		
Linear tolerance (ISO 2768-2)	Class	m	Undimensioned radii	R 0.5		
0.5 ±3	>3± 6	>6± 30	>30± 120	>120 ±400	>400± 1000	>1000 ±2000
±0.1	±0.1	±0.2	±0.3	±0.5	±0.8	±1.2
all dimensions are in mm	Date		Name		Drawing No.	Sheet
	Designed		Angelosante		DP24841-A	2/2
	Drawn		Rodella			
	Checked					
<p>OPTO ENGINEERING S.r.l. - Mantova Italy - Tel. +39 0376 699111 - www.opto-engineering.com</p> <p><i>Secret and confidential - All rights reserved - No copy, dissemination or circulation is allowed unless specifically authorized in writing by OPTO ENGINEERING S.r.l. - Any violation shall be legally prosecuted.</i></p>						