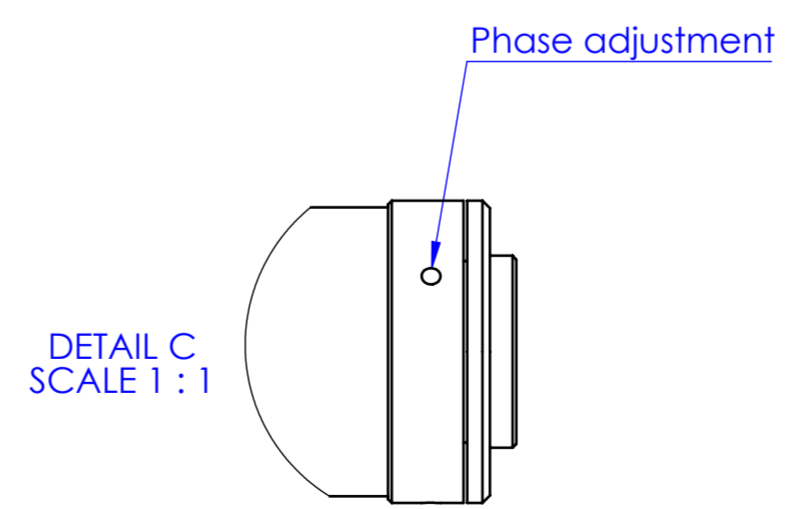
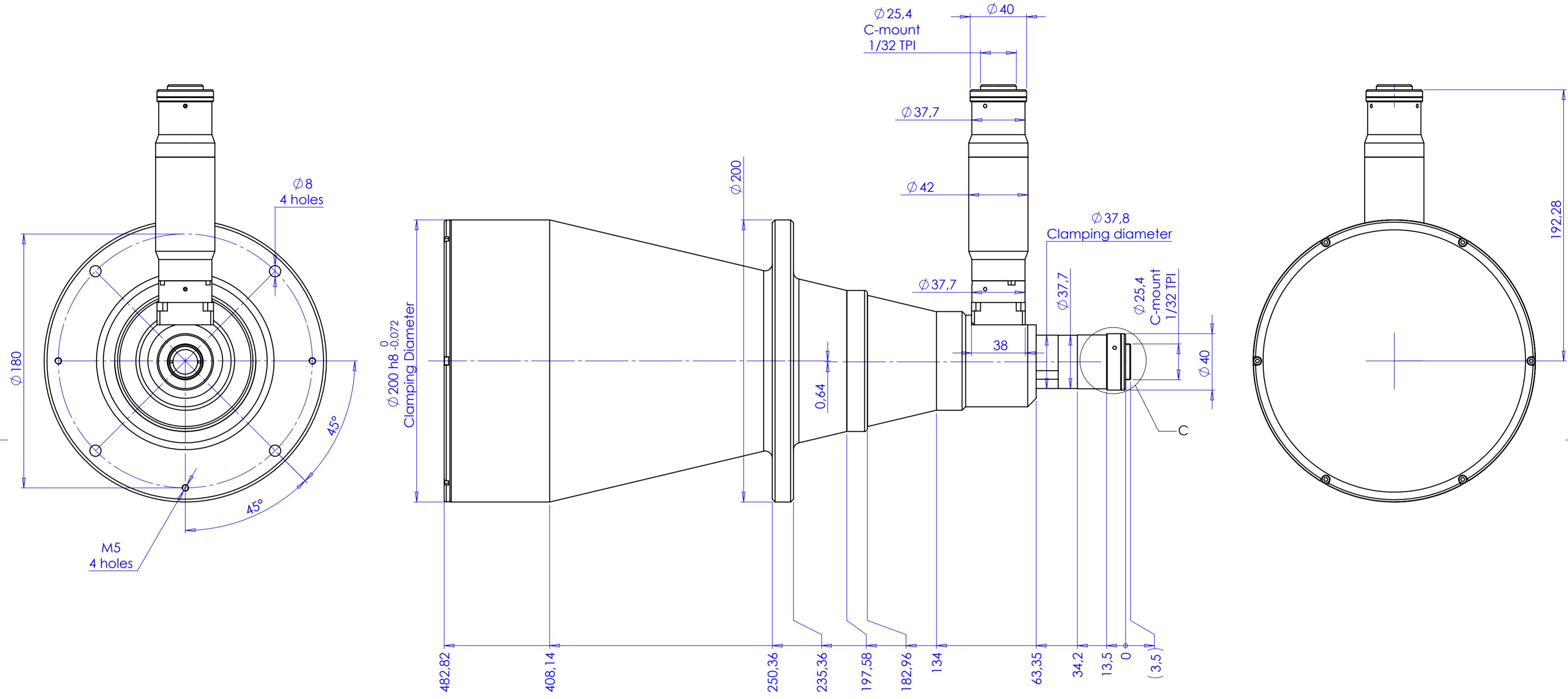


Rev No.	Description	Date	Name
B	Modificata configurazione Sx, aggiunta regolazione-fase	06/02/2017	Rodella



Material	N.A.	Mass	6519 g	Scale	1:2								
Surface treatment	N.A.	Part No.	CO24464										
Geometrical tolerance (ISO 2768-2)	Class	K	Undimensioned bevels	0.5x45°	Description								
Linear tolerance (ISO 2768-2)	Class	m	Undimensioned radii	R 0.5	TCDP23C4XC144								
0.5	>3+	>6+	>30+	>120	>400+	>1000	>2000	>4000	Drawing No.		Sheet		
+3	6	30	120	+400	1000	+2000	+4000	DP 24464-B		1/1			
±0.1	±0.1	±0.2	±0.3	±0.5	±0.8	±1.2	±2	Designed		Date	Name		
OPTO ENGINEERING		THE OPTIC COMPANY		26/03/2015		Rodella		Drawn		29/09/2015		Rodella	
Checked													
OPTO ENGINEERING S.r.l. - Mantova Italy - Tel. +39 0376 699111 - www.opto-engineering.com													

Secret and confidential - All rights reserved -
No copy, dissemination or circulation is allowed unless specifically authorized in writing by OPTO ENGINEERING S.r.l. - Any violation shall be legally prosecuted.