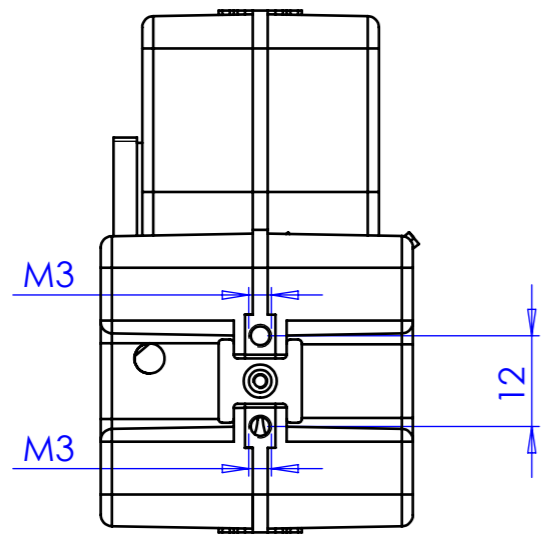
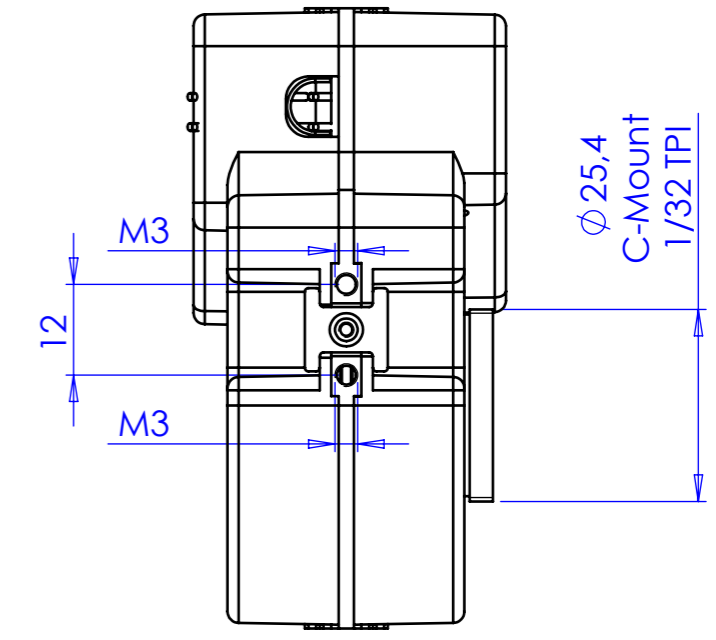
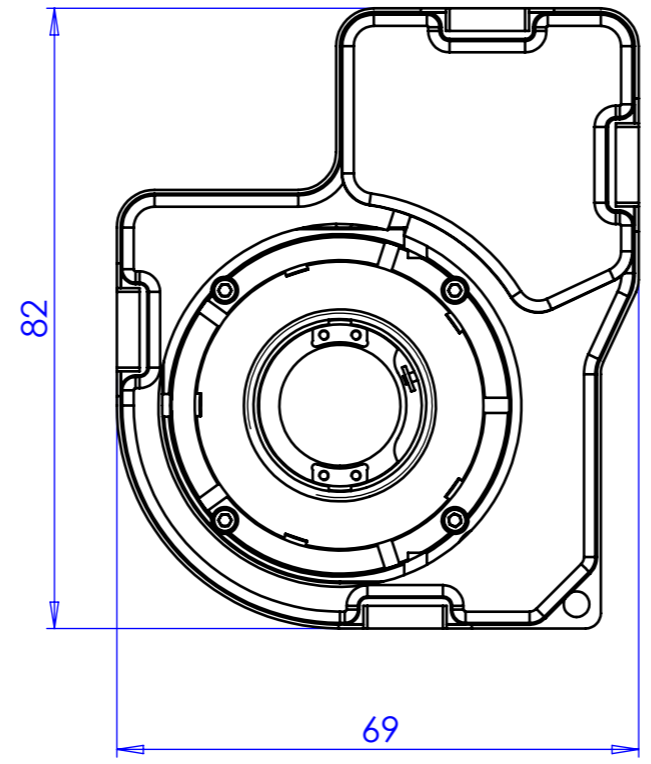
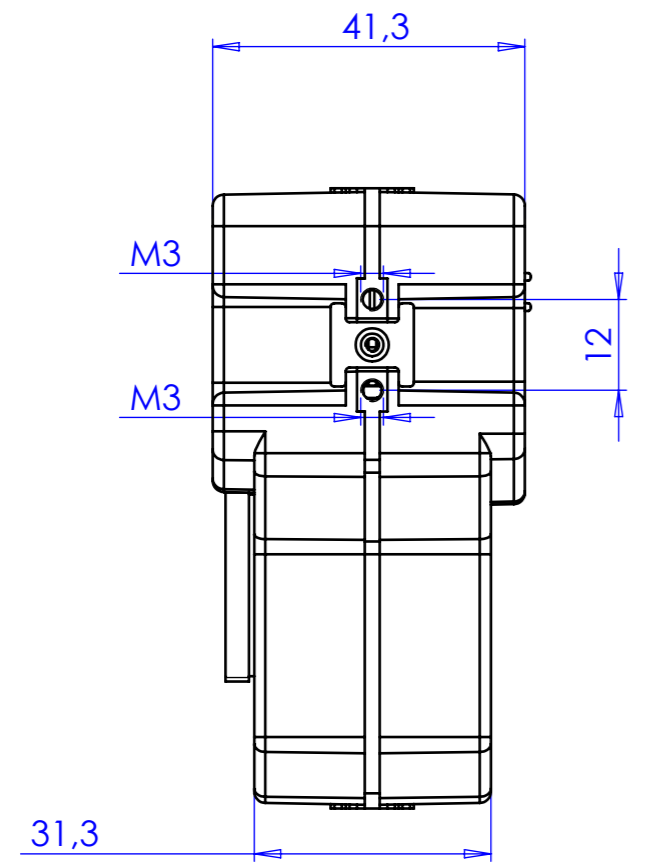
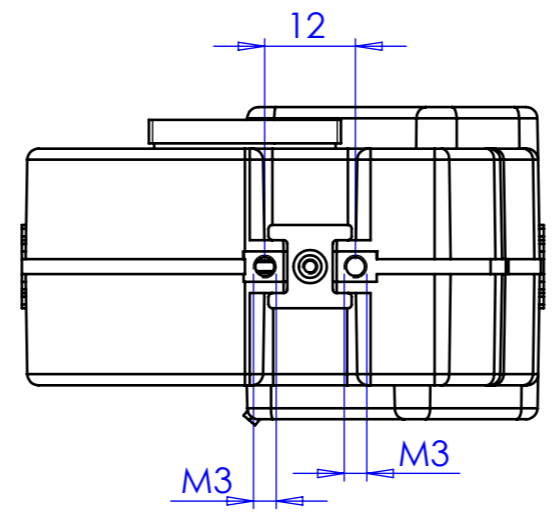


1 2 3 4 5 6 7 8

Rev No.	Description	Date	Name



Material	N.A.		Mass	268 g	Scale	1:1	
Surface treatment			Part No.	CO24433			
Geometrical tolerance (ISO 2768-2)			Class	K	Undimensioned bevels	0.5x45°	
Linear tolerance (ISO 2768-2)			Class	m	Undimensioned radii	R 0.5	
0.5	>3±	>6±	>30±	>120	>400±	>1000	>2000
±3	6	30	120	±400	1000	±2000	±4000
±0.1	±0.1	±0.2	±0.3	±0.5	±0.8	±1.2	±2
 <b>OPTO ENGINEERING S.r.l. - Mantova Italy - Tel. +39 0376 699111 - www.opto-engineering.com</b>			Date	Name			
			Designed	03/07/2015	LSantini		
			Drawn	20/11/2015	Vasconetto		
Drawing No.			Sheet				
DP 24433-A			1/1				
<i>Secret and confidential - All rights reserved - No copy, dissemination or circulation is allowed unless specifically authorized in writing by OPTO ENGINEERING S.r.l. - Any violation shall be legally prosecuted.</i>							

all dimensions are in mm

1 2 3 0 1 2 3 4 5 6 7 8 9 10 6 7 8

D  
C  
B  
A

D  
C  
B  
A