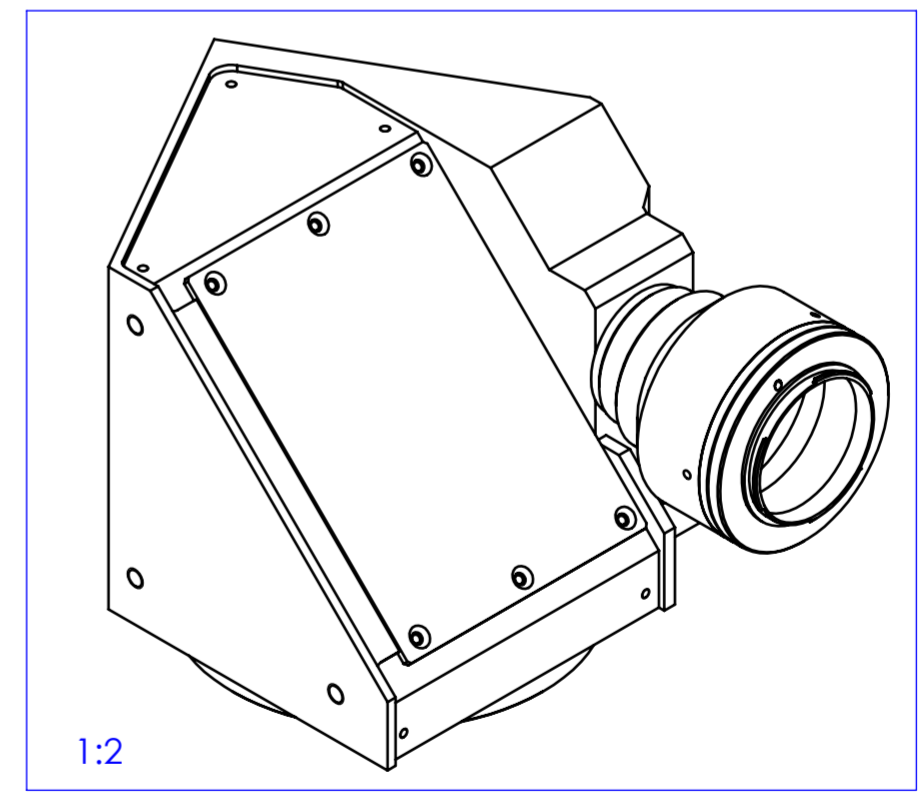
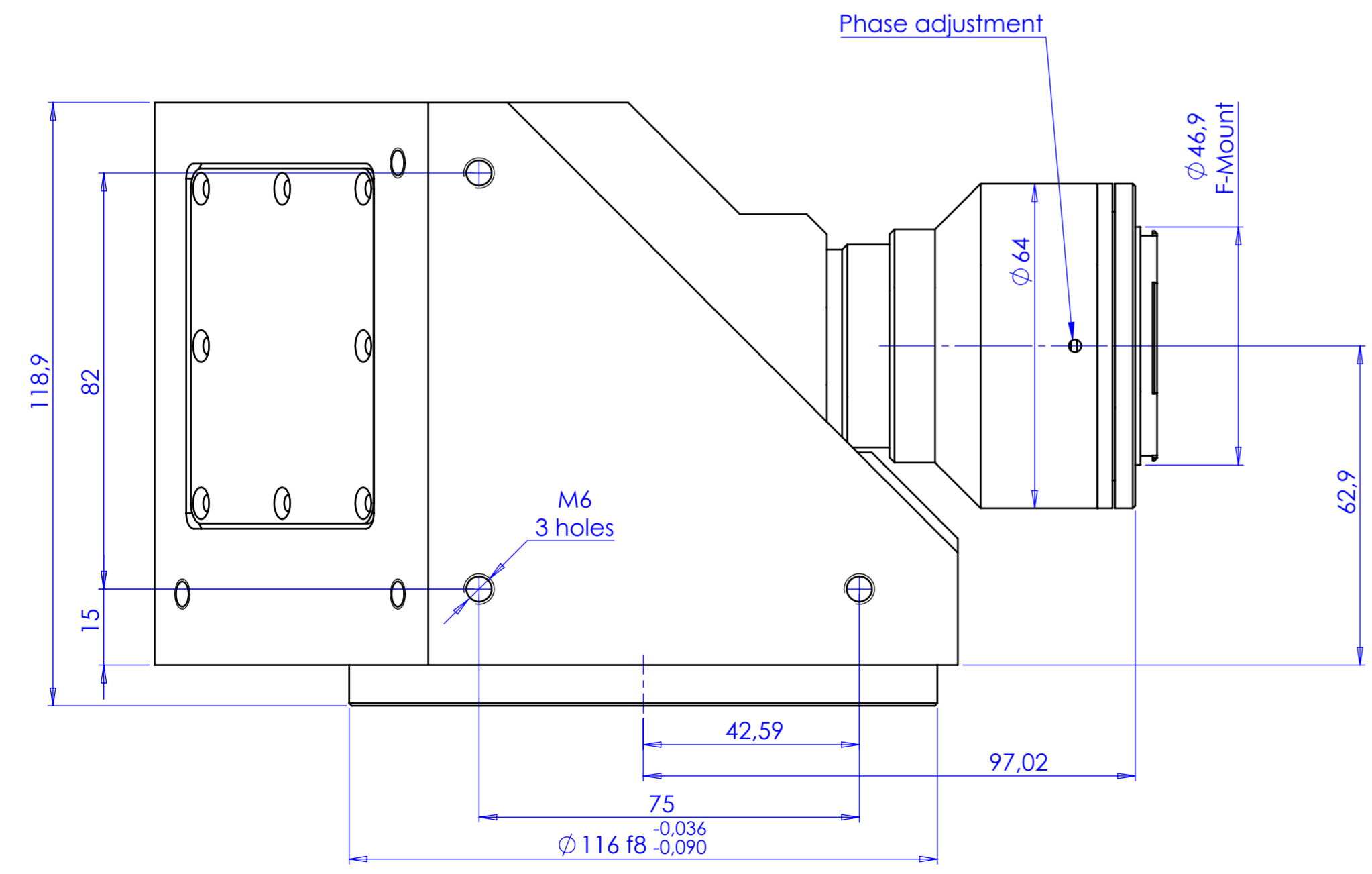
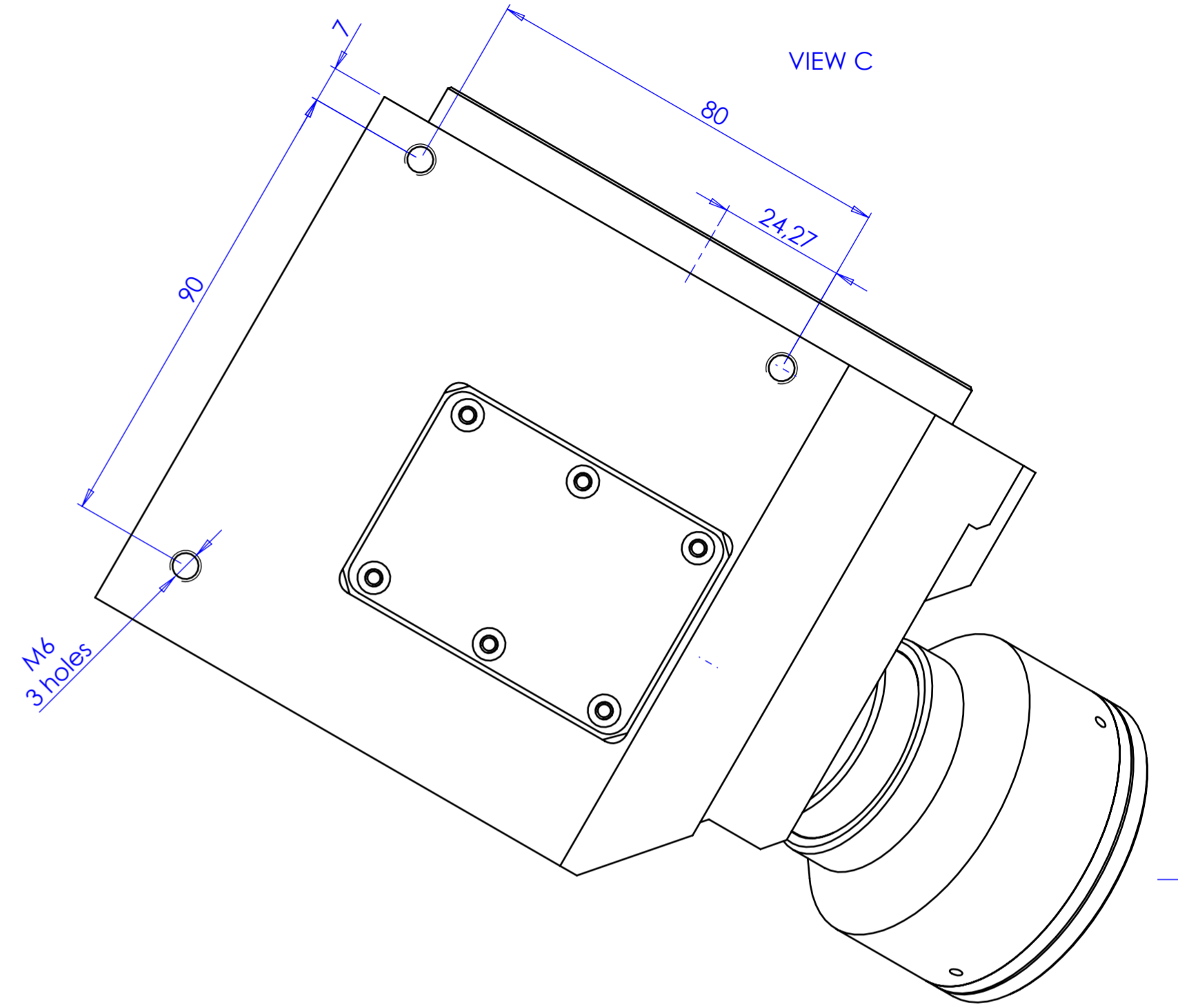
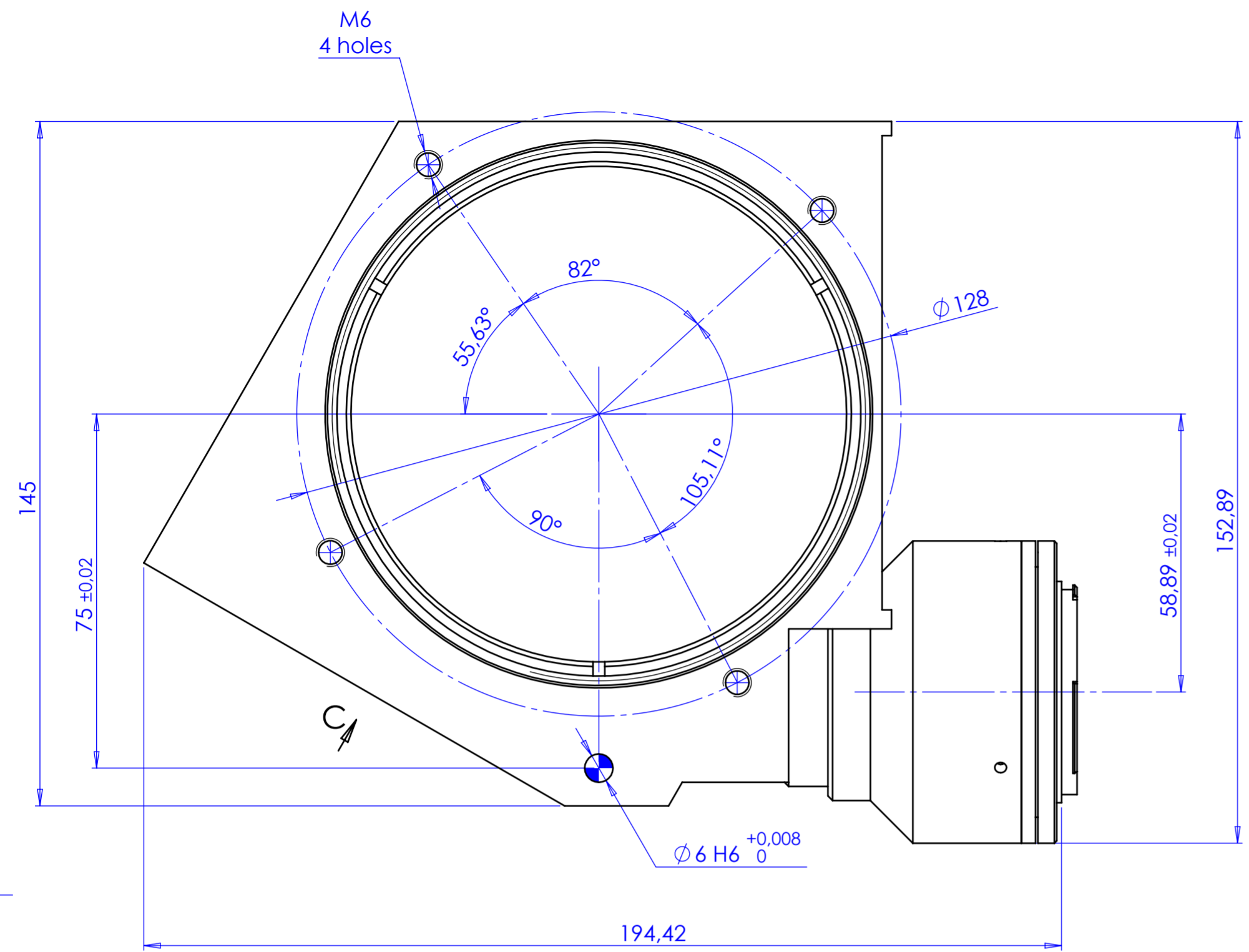


Rev No.	Description	Date	Name
B	Aggiunte quote	17/01/2017	Rodella



Material	N.A.	Mass	3251 g	Scale	1:1						
Surface treatment	N.A.	Part No.	CO24027								
Geometrical tolerance (ISO 2768-2)	Class	K	Undimensioned bevels	0.5x45°	Description						
Linear tolerance (ISO 2768-2)	0.5	>3+	>6+	>30+	>120	>400+	>1000	>2000	Undimensioned radii	R 0.5	TCCR4M080-F
	+3	6	30	120	+400	1000	+2000	+4000			
	±0.1	±0.1	±0.2	±0.3	±0.5	±0.8	±1.2	±2			
		Date	14/05/2015	Name	Vasconetto	Drawing No.	DP 24027-B	Sheet	1/1	Secret and confidential - All rights reserved - No copy, dissemination or circulation is allowed unless specifically authorized in writing by OPTO ENGINEERING S.r.l. - Any violation shall be legally prosecuted.	
OPTO ENGINEERING S.r.l. - Mantova Italy - Tel. +39 0376 699111 - www.opto-engineering.com		Designed	20/07/2015	Checked	Rodella						