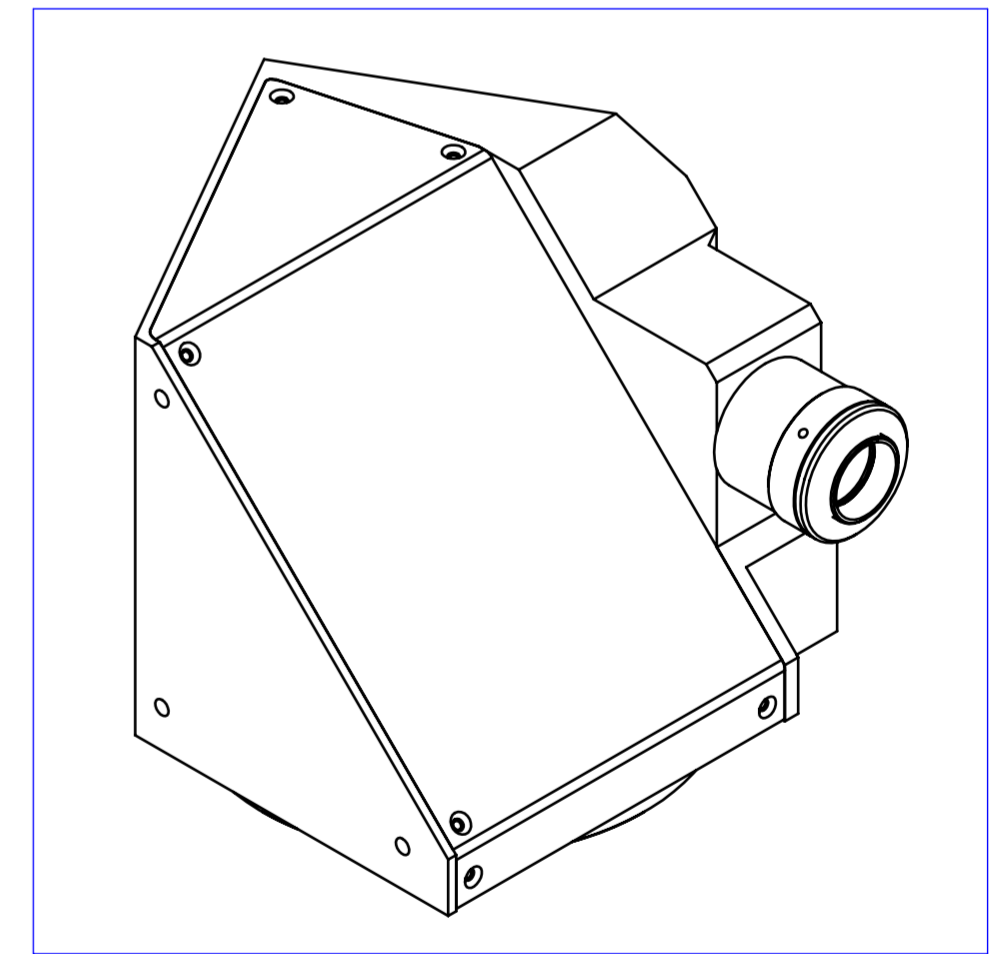
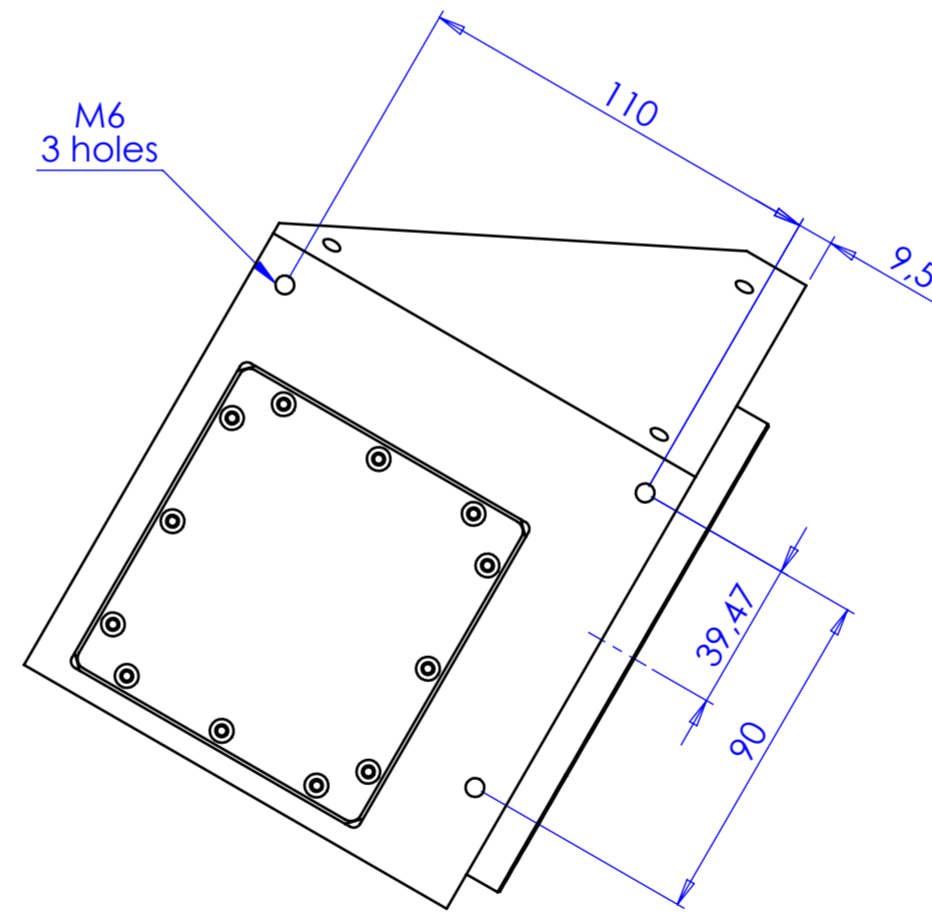
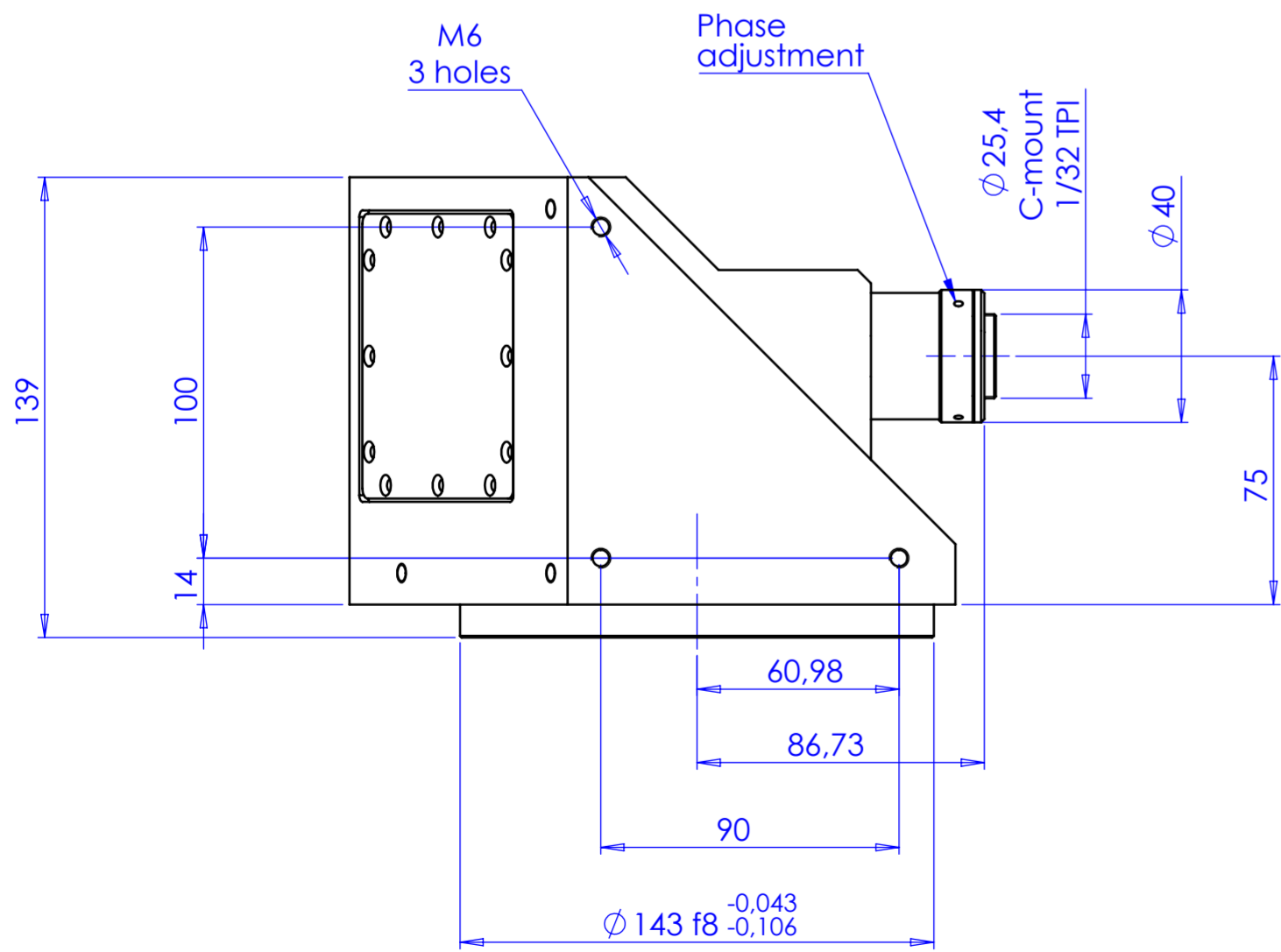
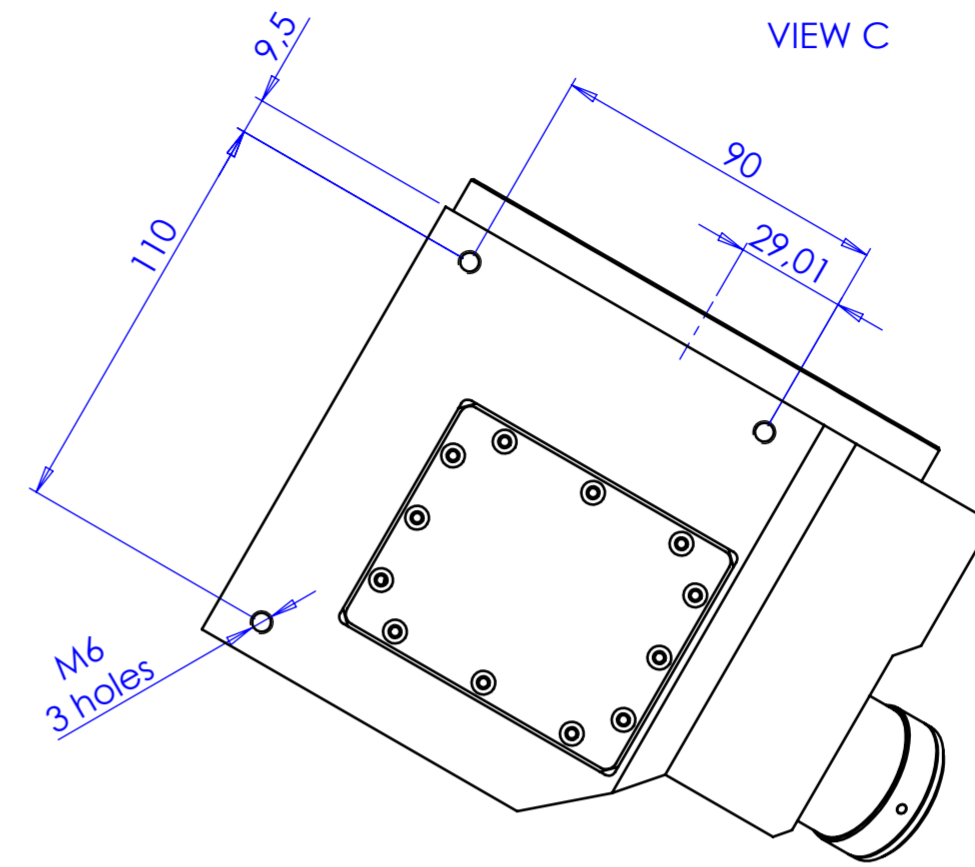
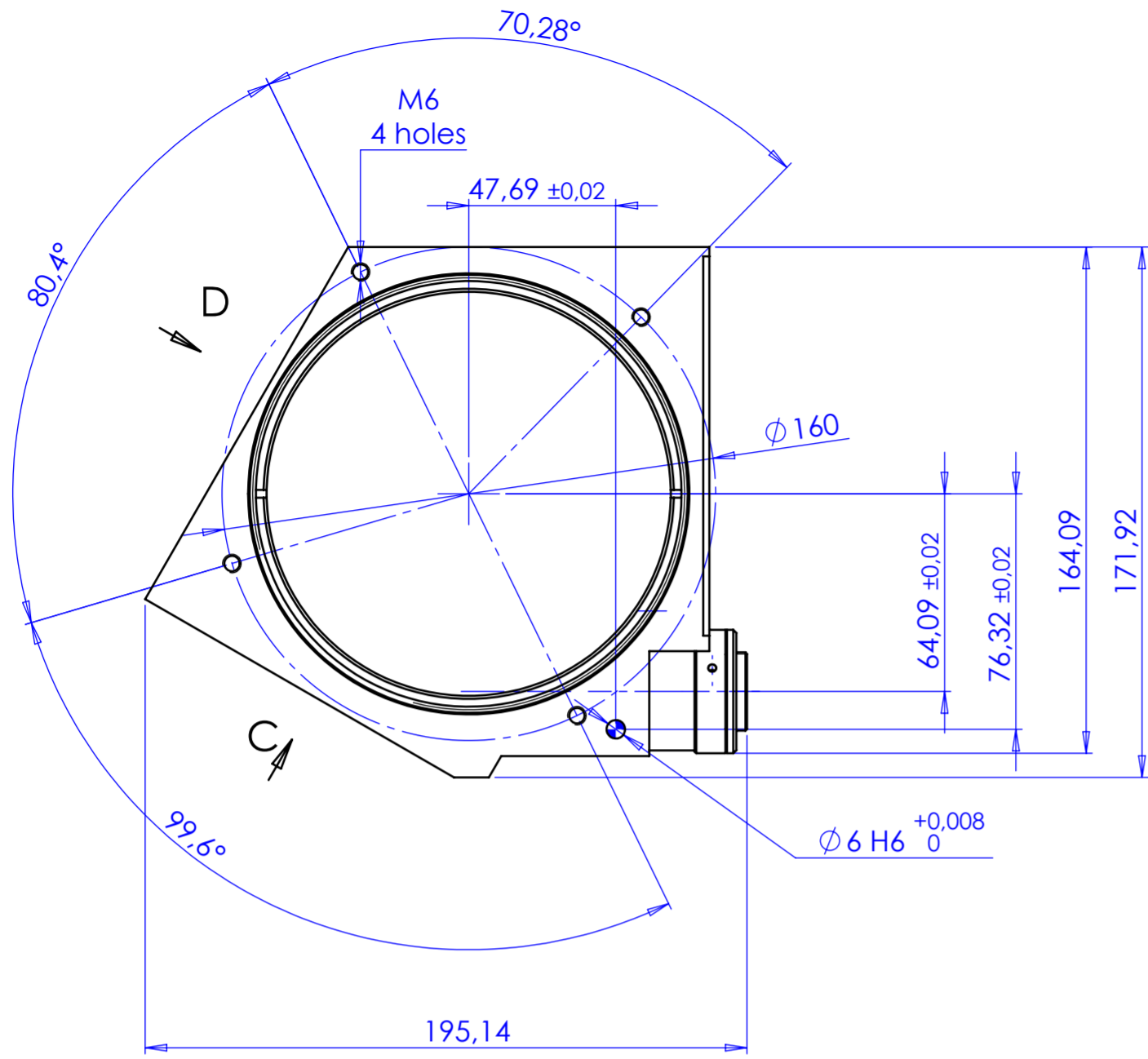


Rev No.	Description	Date	Name
B	Aggiunte quote	30/01/2017	Rodella



Material	N.A.	Mass	4332 g	Scale	1:2
Surface treatment	N.A.	Part No.	CO23941		
Geometrical tolerance (ISO 2768-2)	Class	K	Undimensioned bevels	0.5x45°	Description
Linear tolerance (ISO 2768-2)	Class	m	Undimensioned radii	R 0.5	TCCR23096
0.5	>3+	>6+	>30+	>120	>400+
+3	6	30	120	+400	1000
+0.1	+0.1	+0.2	+0.3	+0.5	+0.8
				+1.2	+2
Designed		Date	Name		
Drawn		05/03/2015	Vasconetto		
Checked		16/07/2015	Rodella		
Drawing No.		DP 23941-B		Sheet	
				1/1	

OPTO ENGINEERING S.r.l. - Mantova Italy - Tel. +39 0376 699111 - www.opto-engineering.com

Secret and confidential - All rights reserved - No copy, dissemination or circulation is allowed unless specifically authorized in writing by OPTO ENGINEERING S.r.l. - Any violation shall be legally prosecuted.