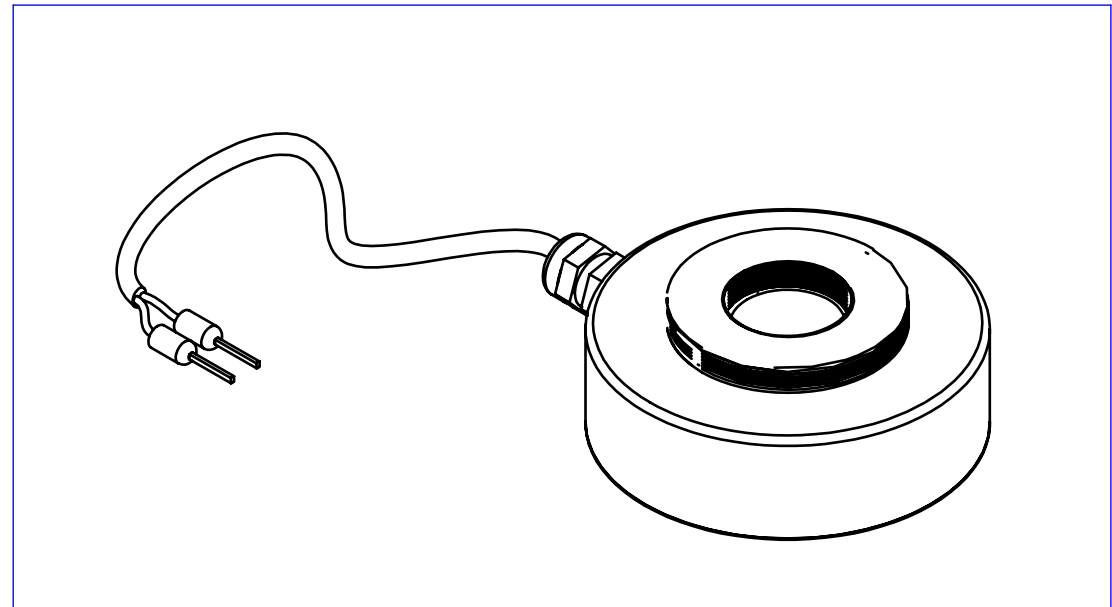
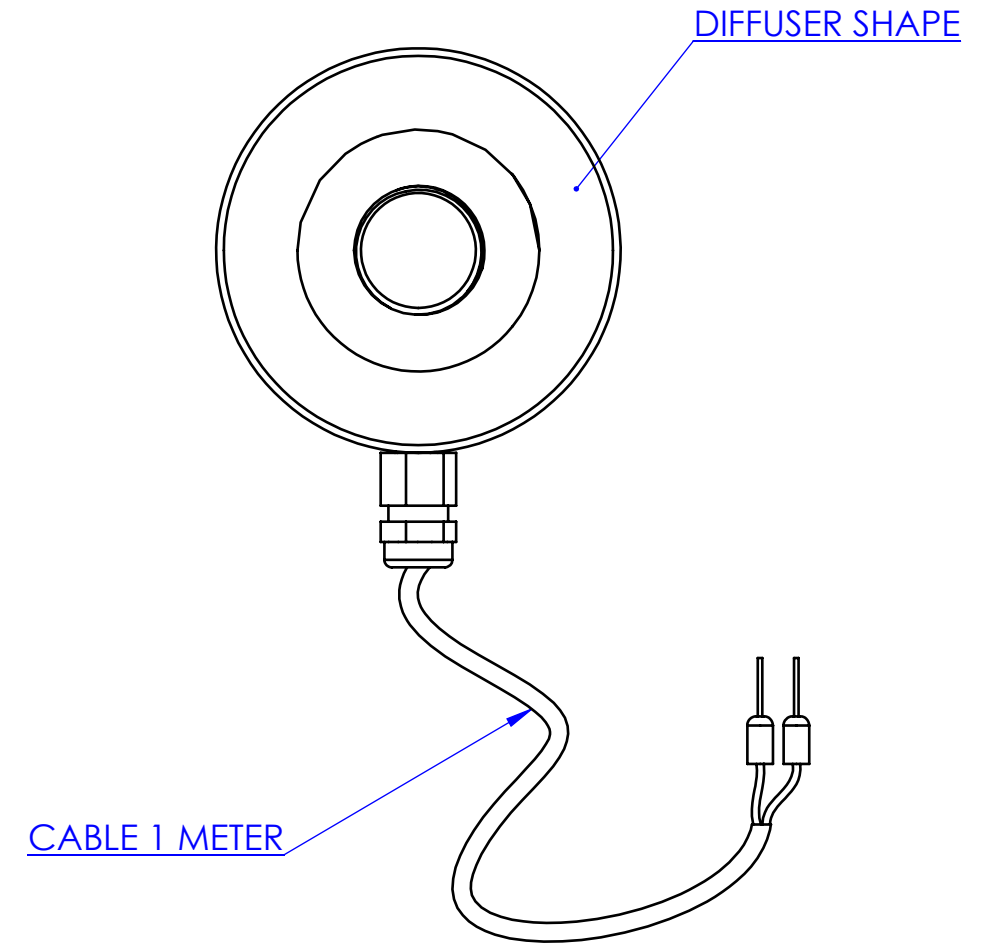
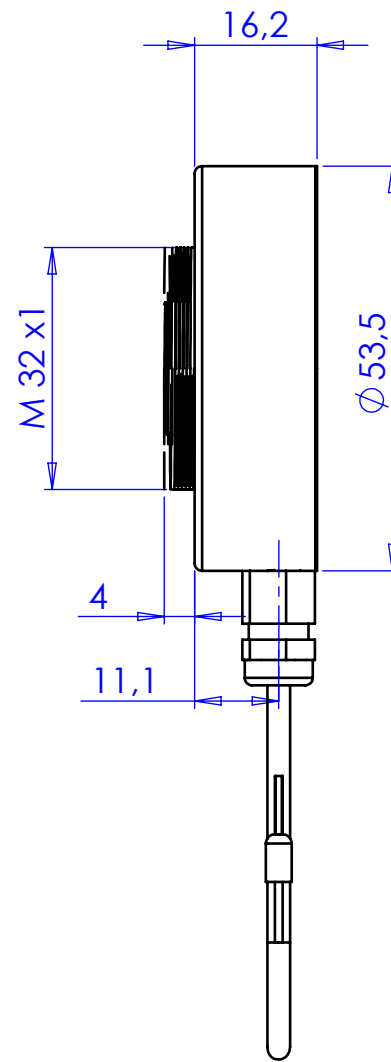
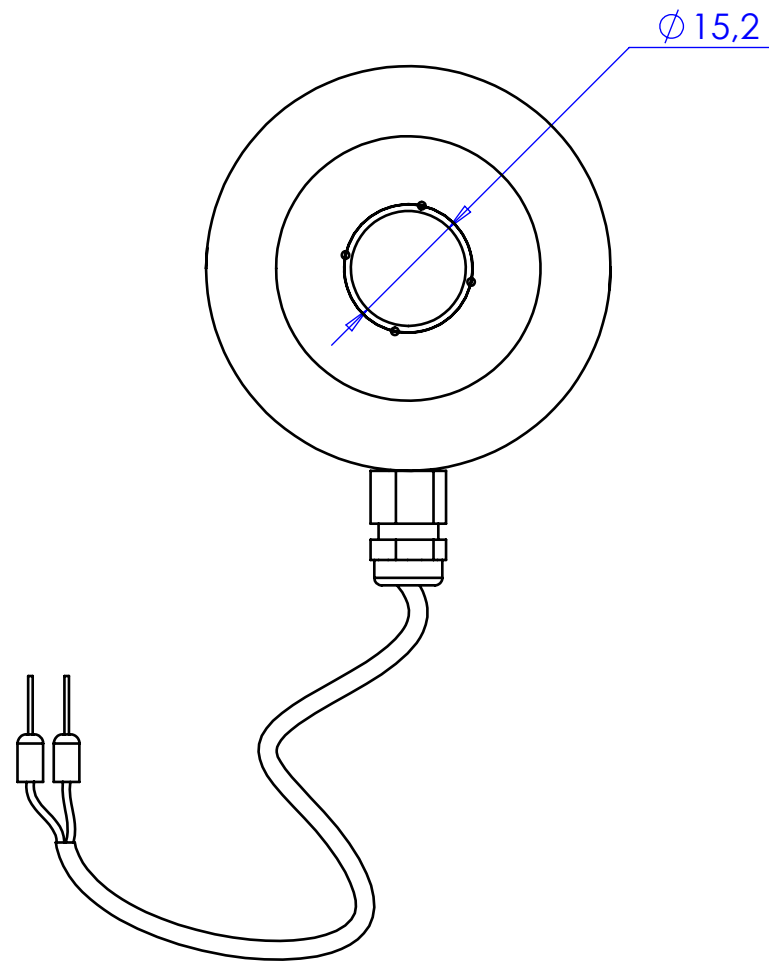


1 2 3 4 5 6 7 8

Rev No.	Description	Date	Name



Material		N.A.		Mass		2 g		Scale		1:1					
Surface treatment		N.A.		Part No.		CO23563									
Geometrical tolerance (ISO 2768-2)								Class	K	Undimensioned bevels		0,5x45°			
Linear tolerance (ISO 2768-2)								Class	m	Undimensioned radii		R 0.5			
0.5 ±3	>3± 6	>6± 30	>30± 120	>120 ±400	>400± 1000	>1000 ±2000	>2000 ±4000	±0.1	±0.1	±0.2	±0.3	±0.5	±0.8	±1.2	±2
all dimensions are in mm										Date	Name	Drawing No.	Sheet		
										Designed	29/12/2014	Rodella	DP 23563-A	1/1	
										Drawn	04/02/2015	Rodella			
										Checked					
OPTO ENGINEERING S.r.l. - Mantova Italy - Tel. +39 0376 699111 - www.opto-engineering.com										<i>Secret and confidential - All rights reserved - No copy, dissemination or circulation is allowed unless specifically authorized in writing by OPTO ENGINEERING S.r.l. - Any violation shall be legally prosecuted.</i>					

1 2 3 4 5 6 7 8

0 1 2 3 4 5 6 7 8 9 10