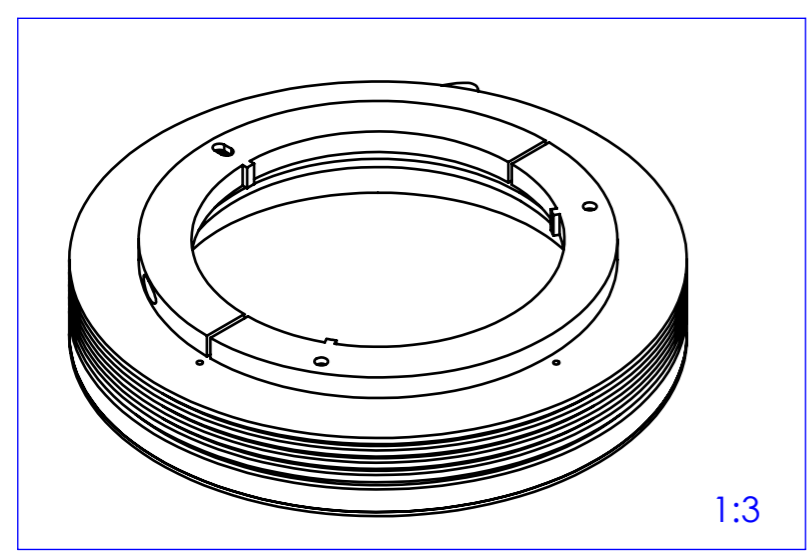
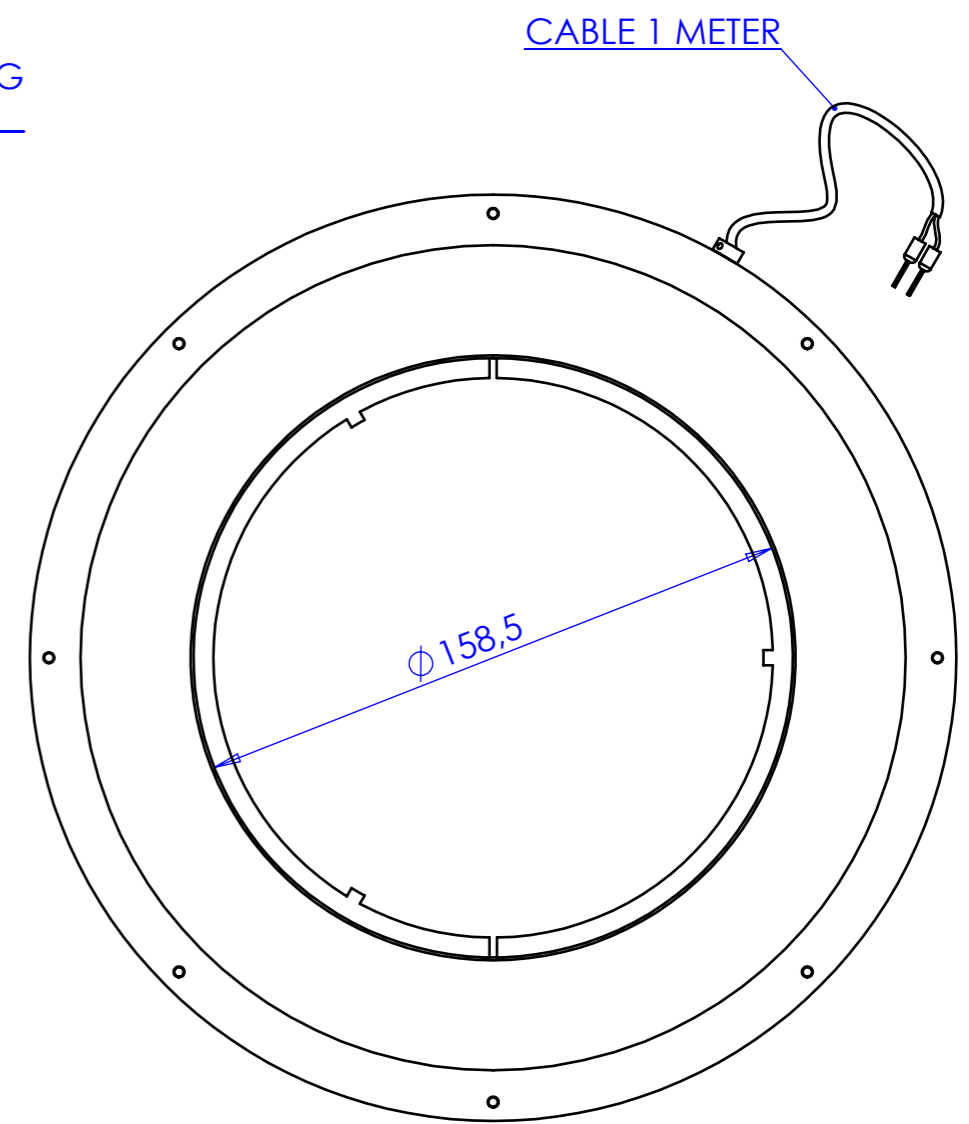
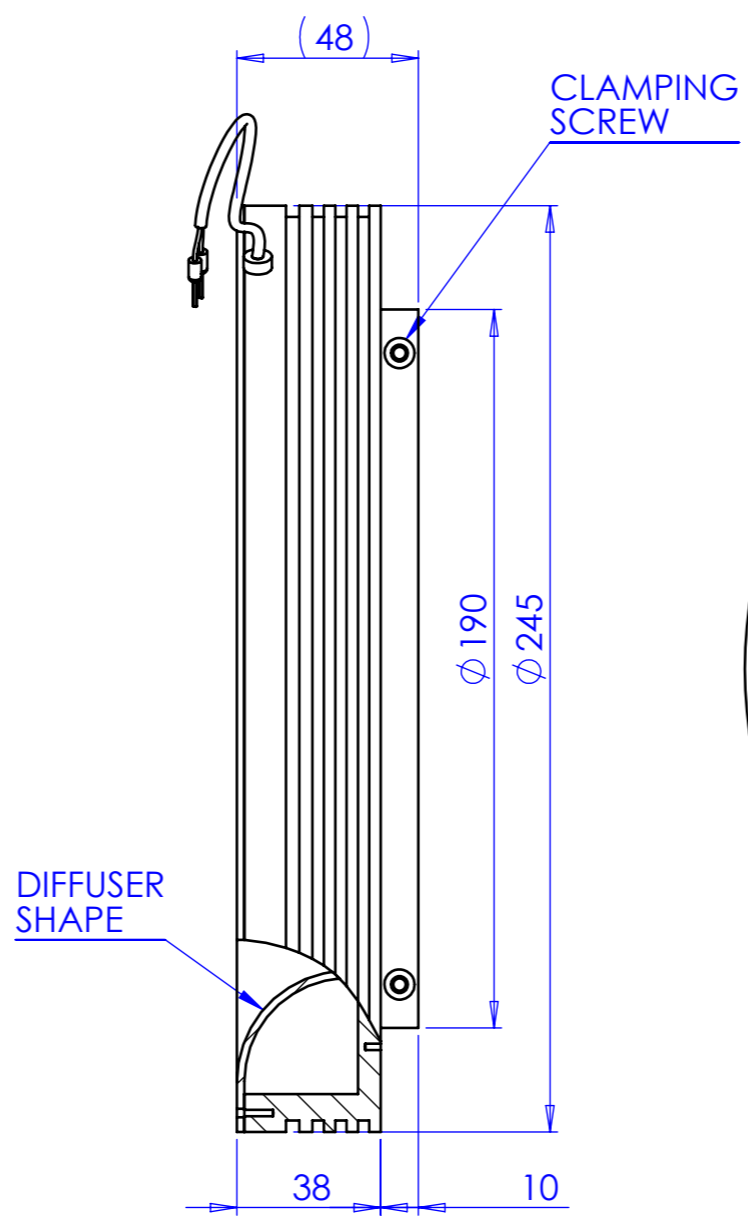
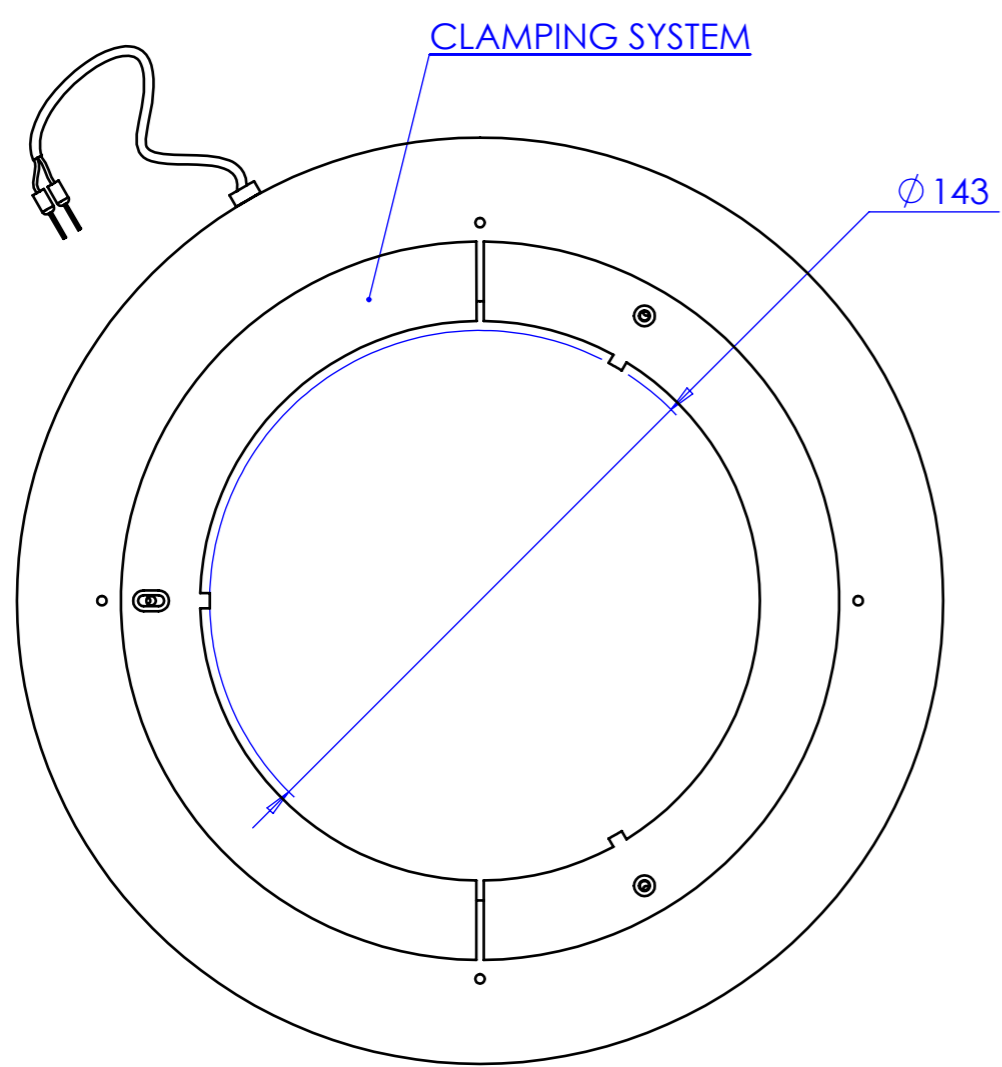


Rev No.	Description	Date	Name



Material	N.A.			Mass	537 g	Scale	1:2
Surface treatment	N.A.			Part No.	CO23497		
Geometrical tolerance (ISO 2768-2)			Class	K	Description		
Linear tolerance (ISO 2768-2)			Class	m	LTRN245G 35		
0.5	>3	>6	>30	>120	>400	>1000	>2000
±3	±6	±30	±120	±400	±1000	±2000	±4000
±0.1	±0.1	±0.2	±0.3	±0.5	±0.8	±1.2	±2
Undimensioned bevels			0.5x45°		Undimensioned radii		
Undimensioned radii			R 0.5		Drawing No.		
			Date	Name	Sheet		
Designed 18/12/2014 Rodella			Drawing No. DP 23497-A			Sheet 1/1	
Drawn 18/12/2014 Rodella			Secret and confidential - All rights reserved - No copy, dissemination or circulation is allowed unless specifically authorized in writing by OPTO ENGINEERING S.r.l. - Any violation shall be legally prosecuted.				
Checked			OPTO ENGINEERING S.r.l. - Mantova Italy - Tel. +39 0376 699111 - www.opto-engineering.com				