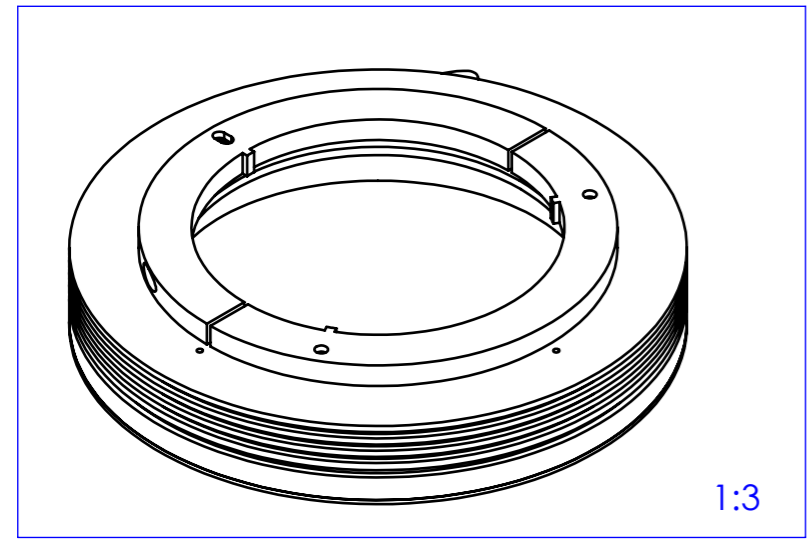
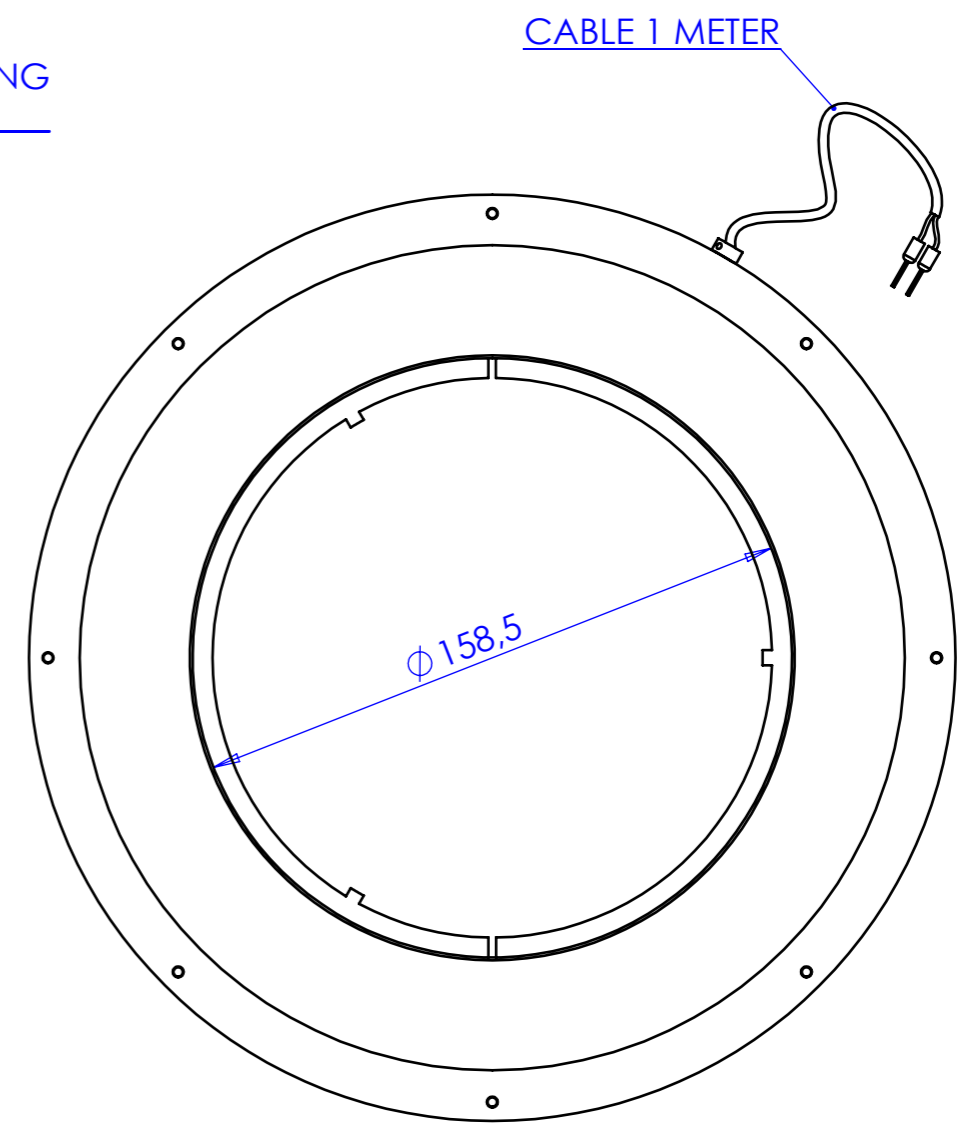
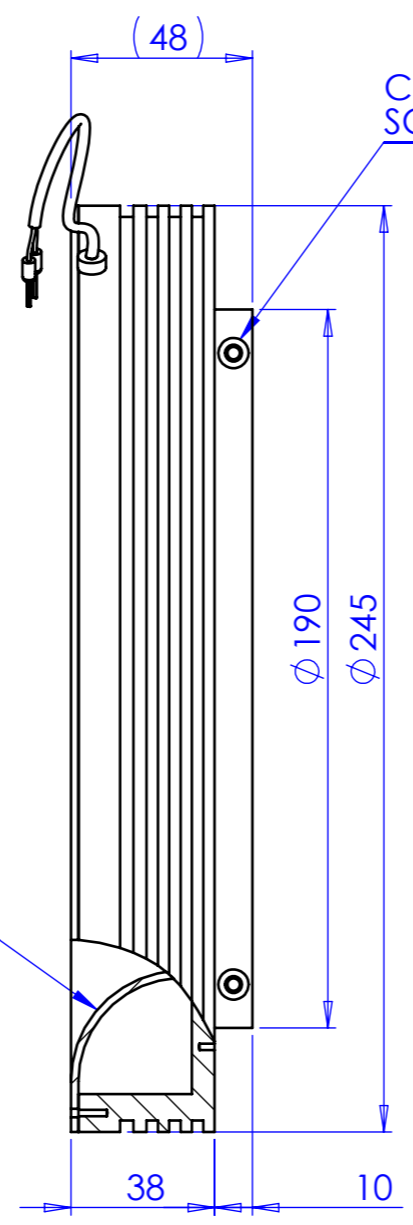
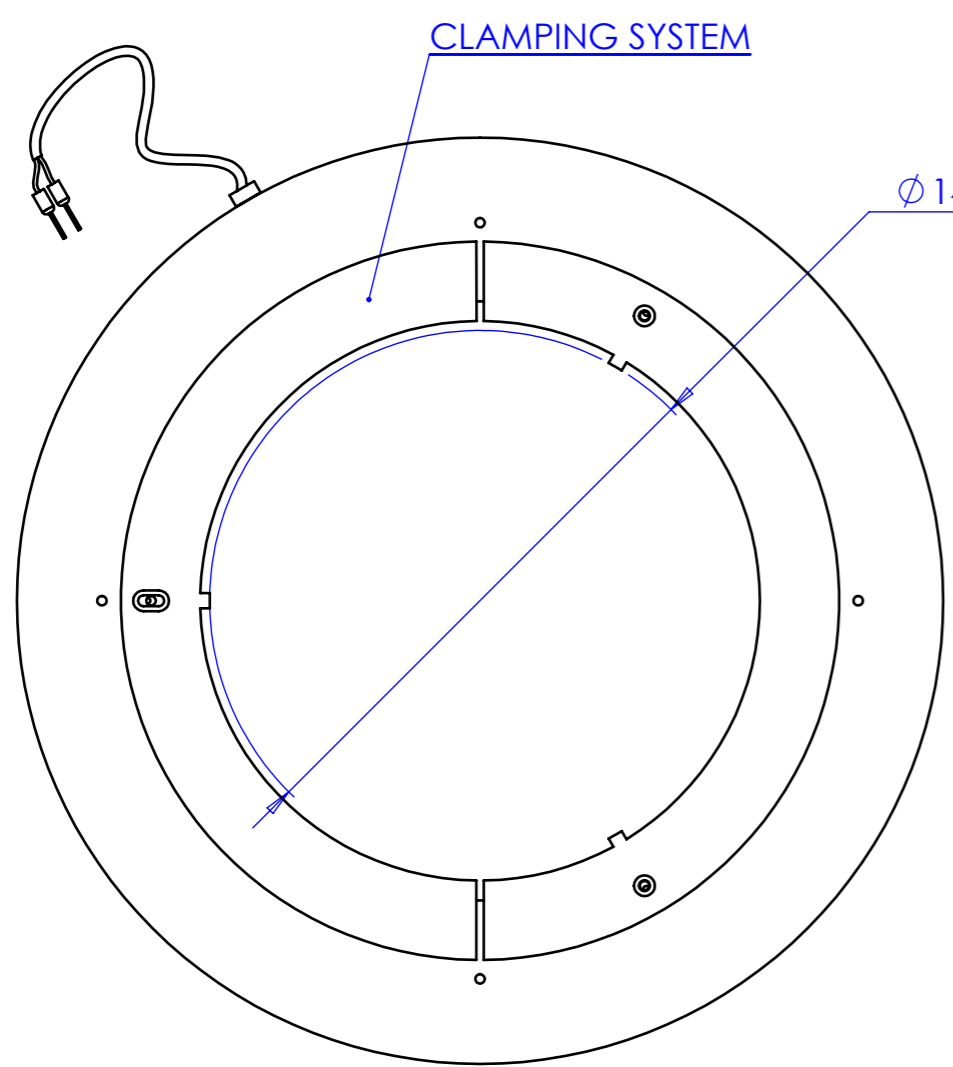


Rev No.	Description	Date	Name



Material	N.A.	Mass	537 g	Scale	1:2
Surface treatment	N.A.	Part No.	CO23496		
Geometrical tolerance (ISO 2768-2)		Class	K	Undimensioned bevels	0.5x45°
Linear tolerance (ISO 2768-2)		Class	m	Undimensioned radii	R 0.5
0.5 ±3	>3±6	>6±30	>30±120	>120 ±400	>400±1000
±0.1	±0.1	±0.2	±0.3	±0.5	±0.8
		>1000 ±2000	>2000 ±4000		
		±1.2	±2		
		Date	Name	Drawing No.	Sheet
		Designed	18/12/2014	Rodella	DP 23496-A
		Drawn	18/12/2014	Rodella	
OPTO ENGINEERING S.r.l. - Mantova Italy - Tel. +39 0376 699111 - www.opto-engineering.com		Checked		Secret and confidential - All rights reserved - No copy, dissemination or circulation is allowed unless specifically authorized in writing by OPTO ENGINEERING S.r.l. - Any violation shall be legally prosecuted.	