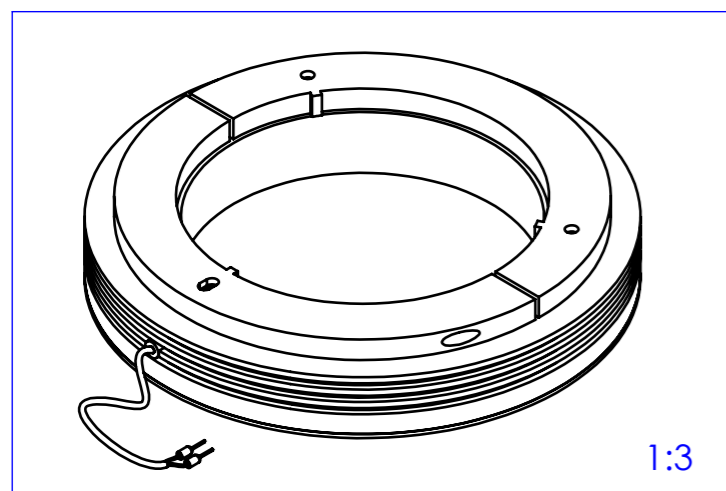
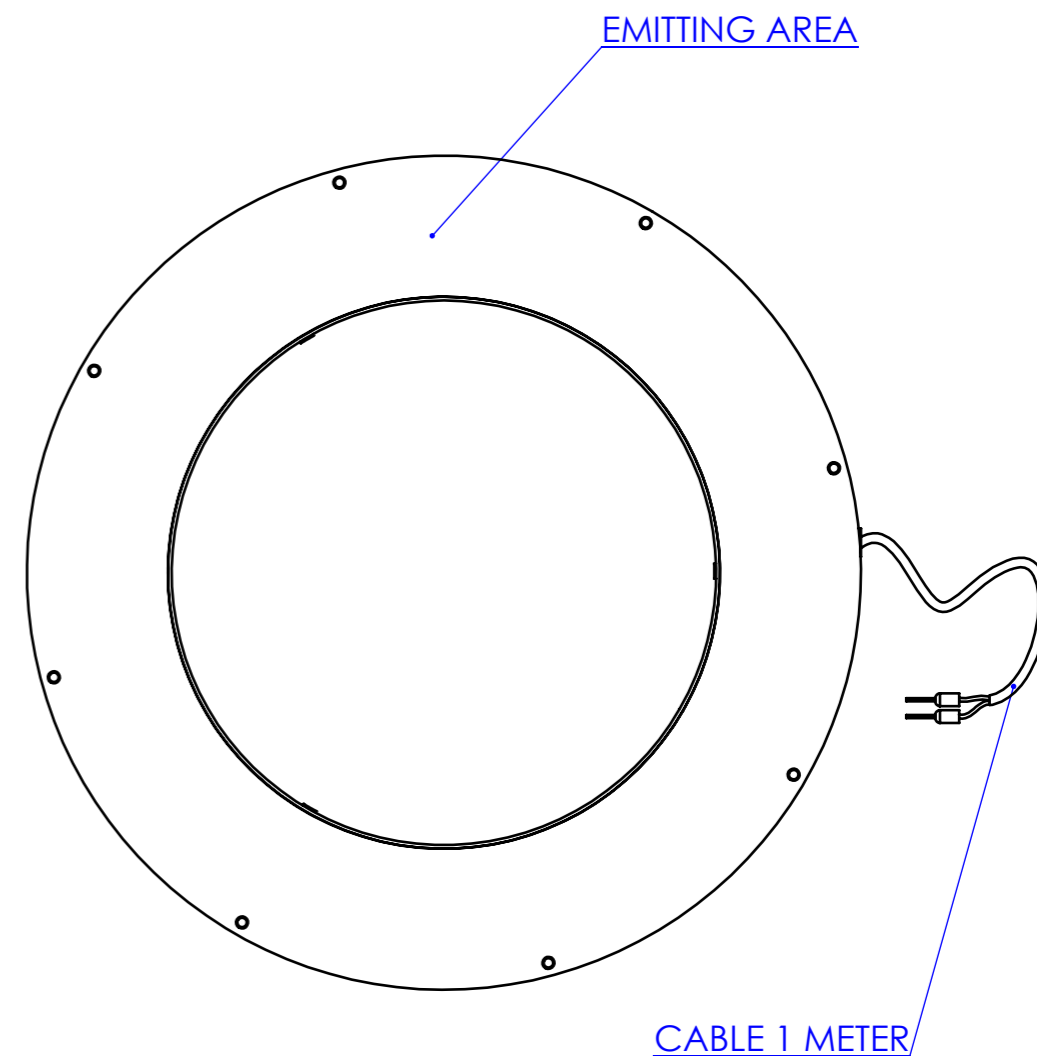
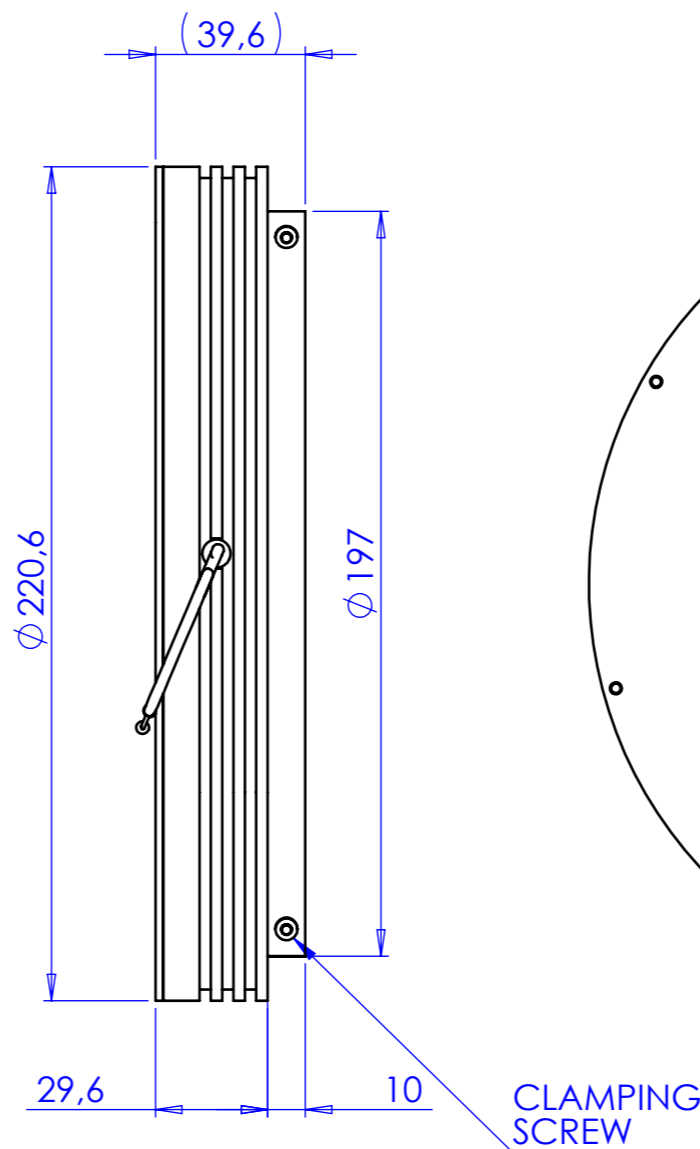
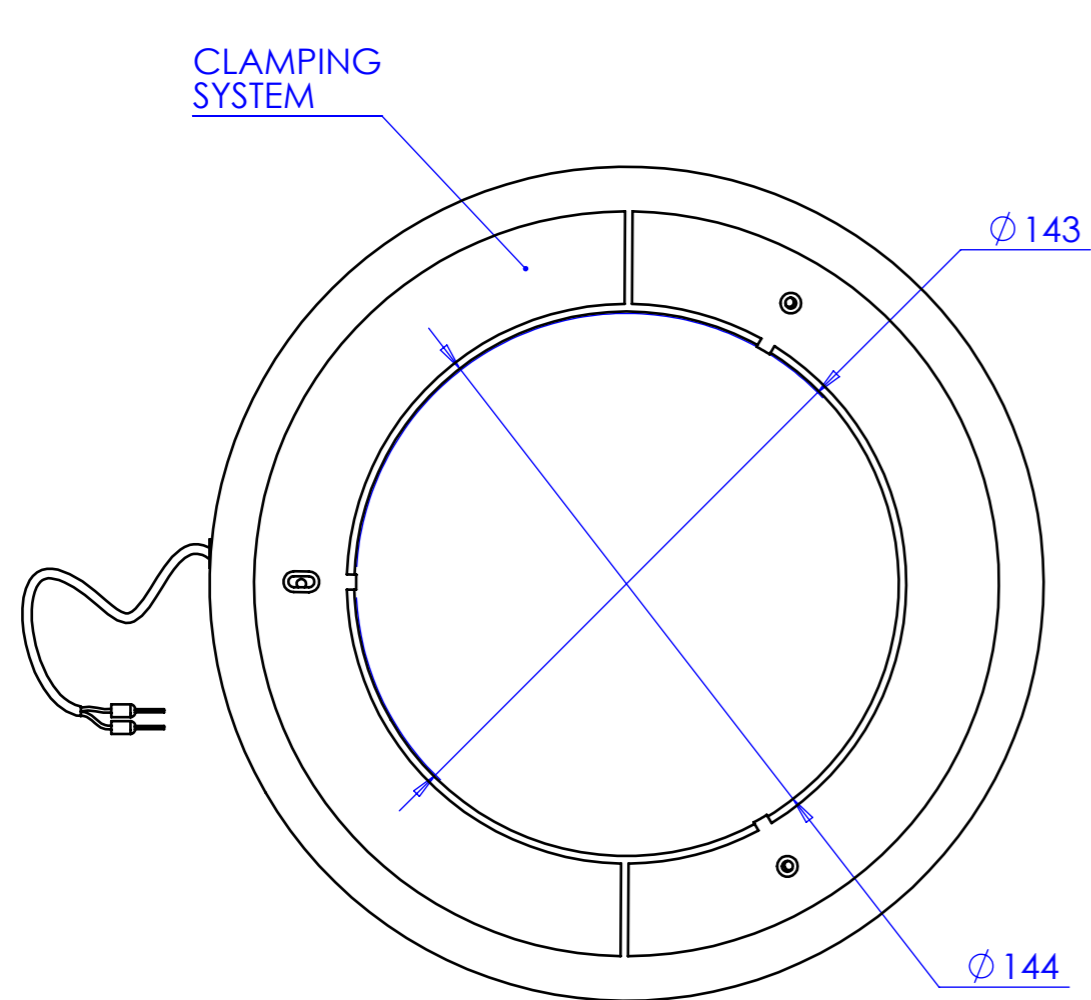


Rev No.	Description	Date	Name



Material	N.A.		Mass	468 g	Scale	1:2
Surface treatment	N.A.		Part No.	CO23464		
Geometrical tolerance (ISO 2768-2)			Class	K	Undimensioned bevels	0,5x45°
Linear tolerance (ISO 2768-2)			Class	m	Undimensioned radii	R 0,5
0,5	>3±	>6±	>30±	>120	>400±	>1000
±3	6	30	120	±400	1000	±2000
±0,1	±0,1	±0,2	±0,3	±0,5	±0,8	±1,2
			±2000	±4000	±2	
			Date	Name		Drawing No.
			18/12/2014	Rodella		DP 23464-A
			18/12/2014	Rodella		
					Sheet	
					1/1	
<p>Secret and confidential - All rights reserved - No copy, dissemination or circulation is allowed unless specifically authorized in writing by OPTO ENGINEERING S.r.l. - Any violation shall be legally prosecuted.</p>						

all dimensions are in mm



OPTO ENGINEERING S.r.l. - Mantova Italy - Tel. +39 0376 699111 - www.opto-engineering.com

