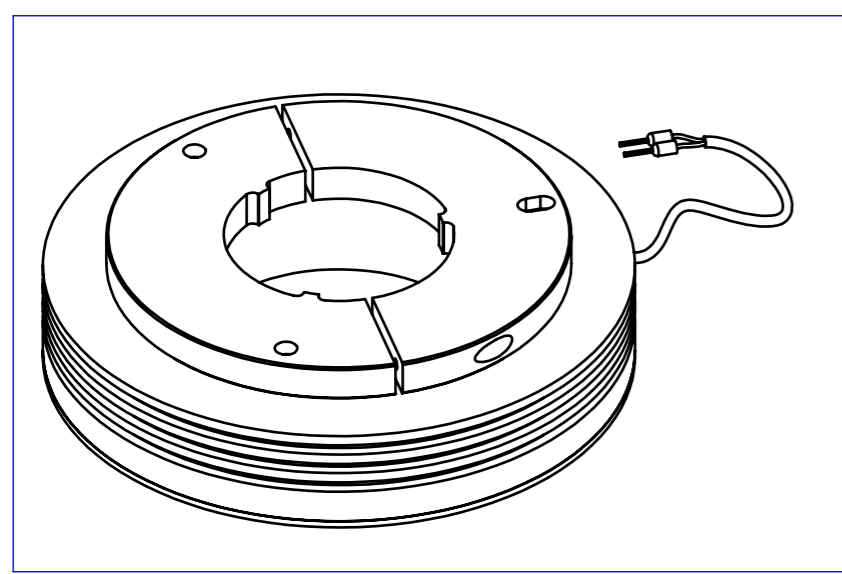
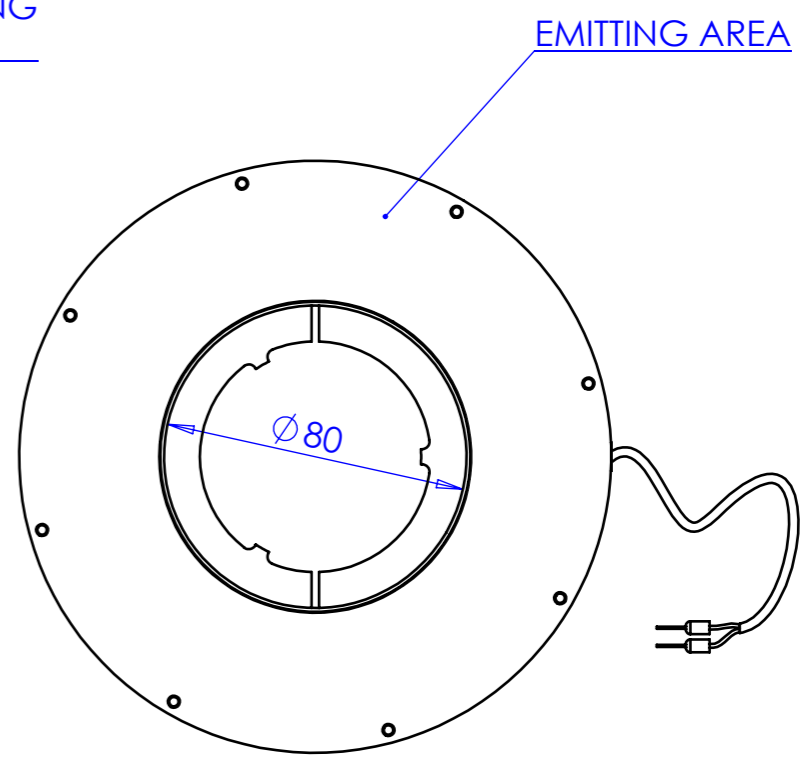
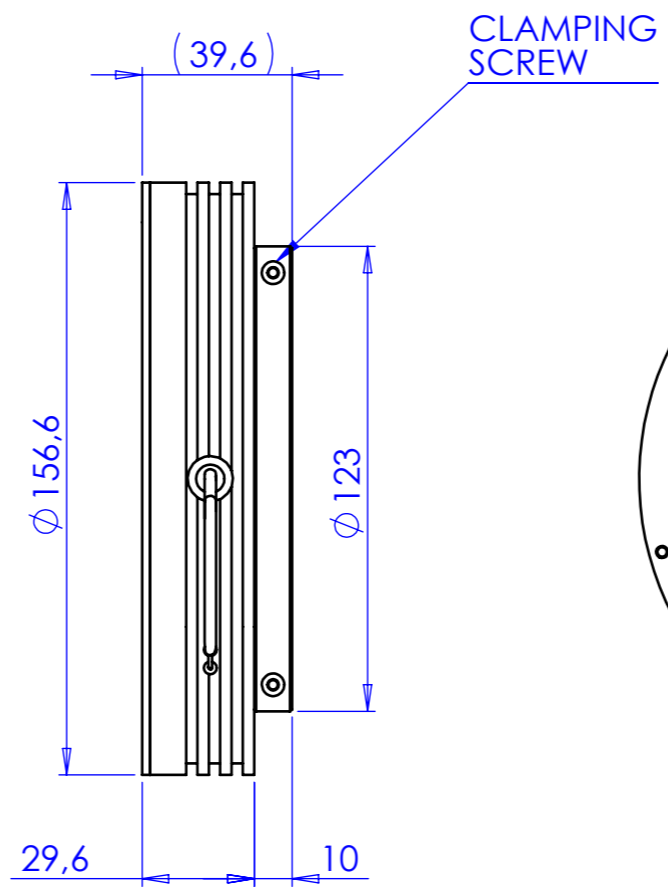
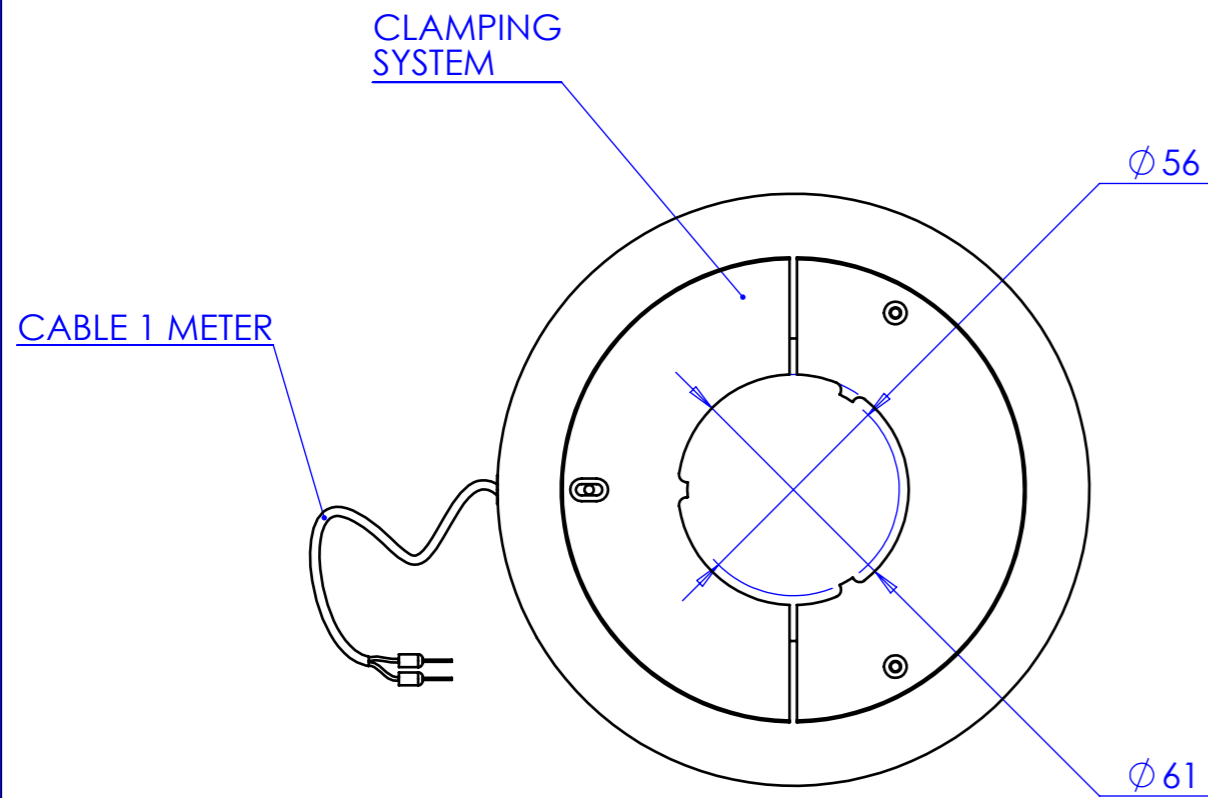


1 2 3 4 5 6 7 8

Rev No.	Description	Date	Name

D  
C  
B  
A

D  
C  
B  
A



Material		N.A.		Mass		301 g		Scale		1:2			
Surface treatment		N.A.		Part No.		CO23431							
Geometrical tolerance (ISO 2768-2)								Class		K			
Linear tolerance (ISO 2768-2)								Class		m			
0.5 ±3	>3± 6	>6± 30	>30± 120	>120 ±400	>400± 1000	>1000 ±2000	>2000 ±4000	Undimensioned bevels	0.5x45°	Description			
±0.1	±0.1	±0.2	±0.3	±0.5	±0.8	±1.2	±2	Undimensioned radii	R 0.5	LTRN032NW			
<p>OPTO ENGINEERING S.r.l. - Mantova Italy - Tel. +39 0376 699111 - www.opto-engineering.com</p>				Date		Name		Drawing No.		Sheet			
				Designed		16/12/2014		Rodella		DP 23431 -A		1/1	
				Drawn		16/12/2014		Rodella					
<p>all dimensions are in mm</p>				Checked				<p>Secret and confidential - All rights reserved - No copy, dissemination or circulation is allowed unless specifically authorized in writing by OPTO ENGINEERING S.r.l. - Any violation shall be legally prosecuted.</p>					

1 2 3 0 1 2 3 4 5 6 7 8 9 10 6 7 8