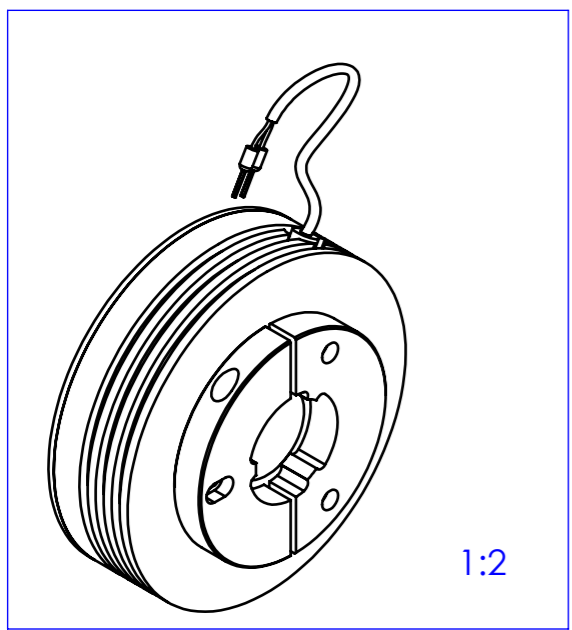
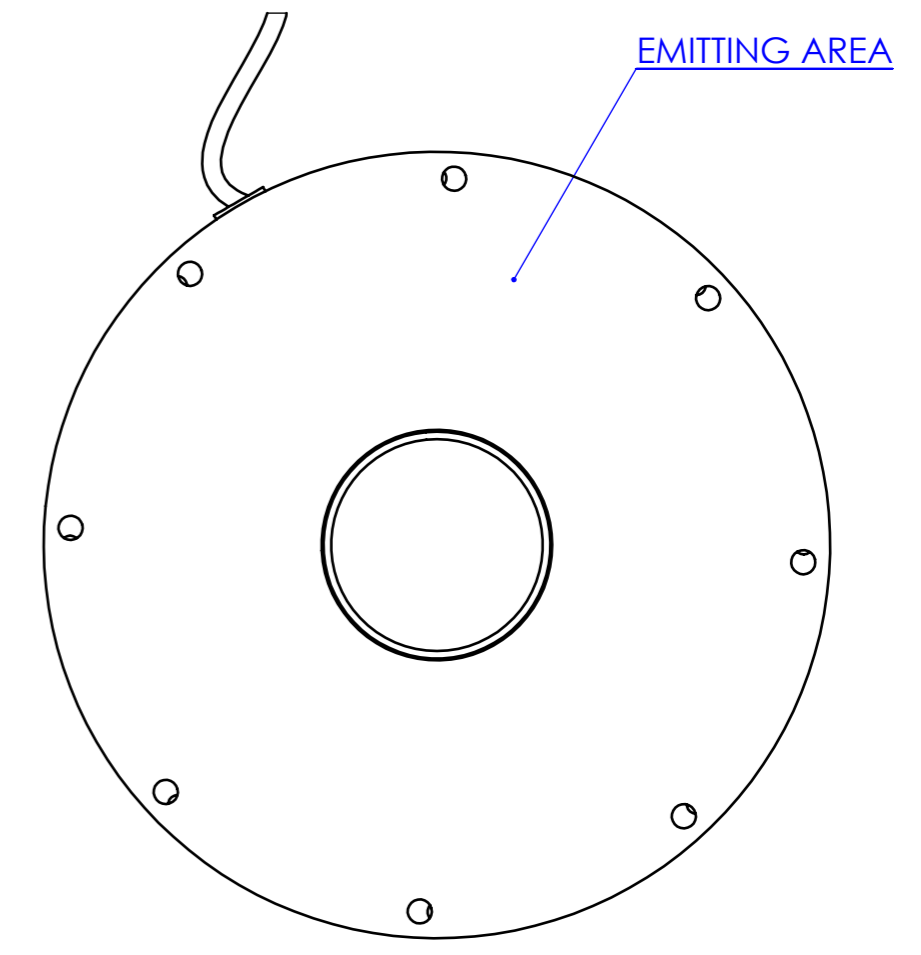
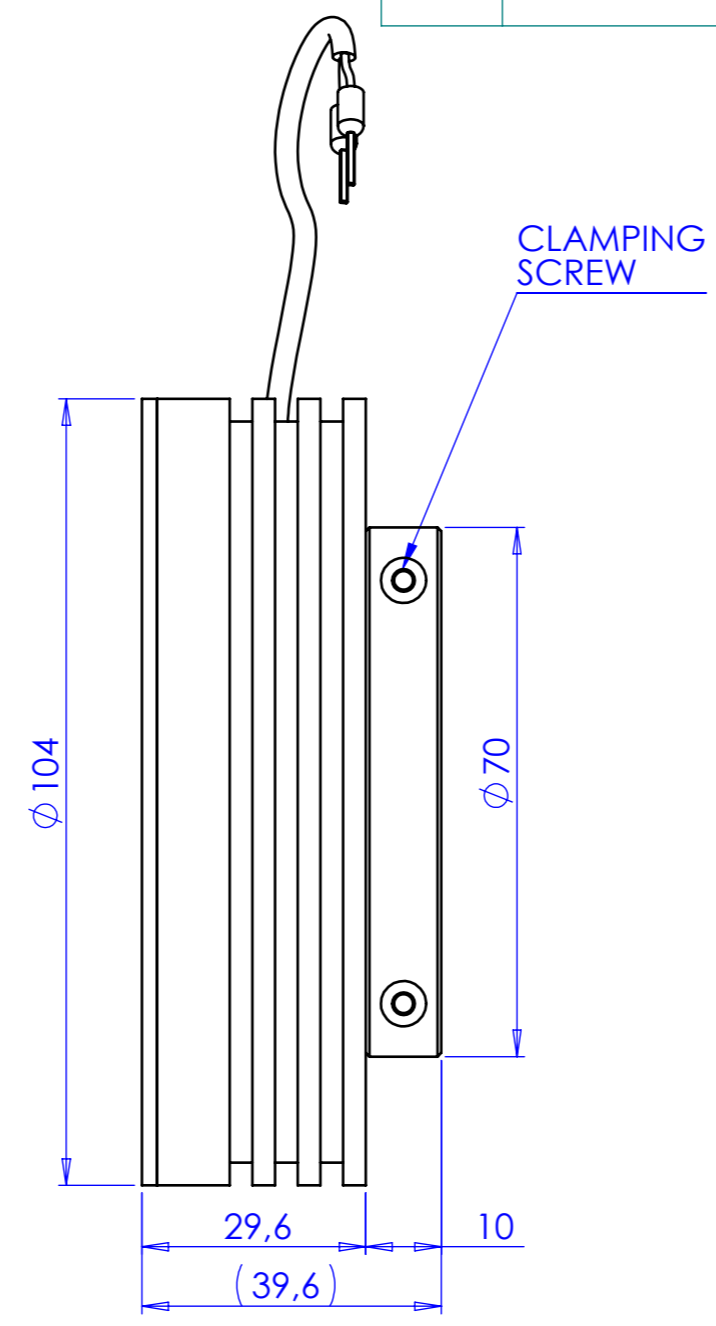
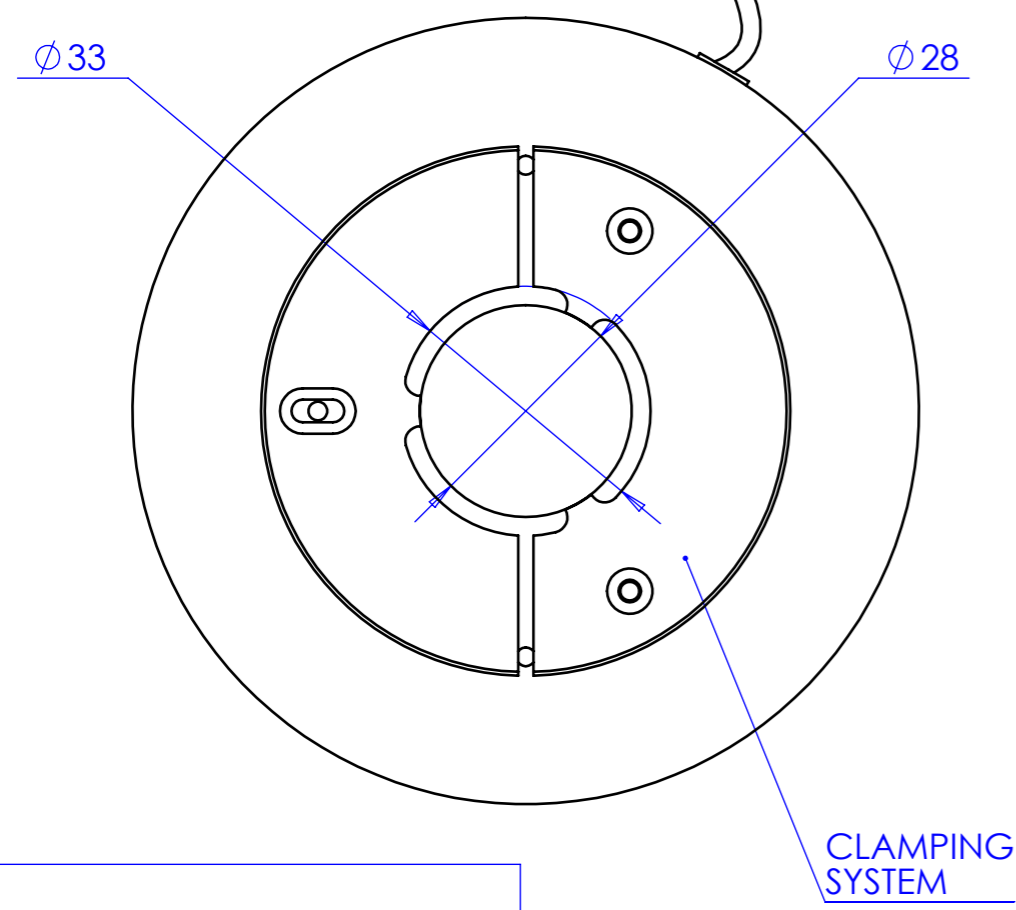
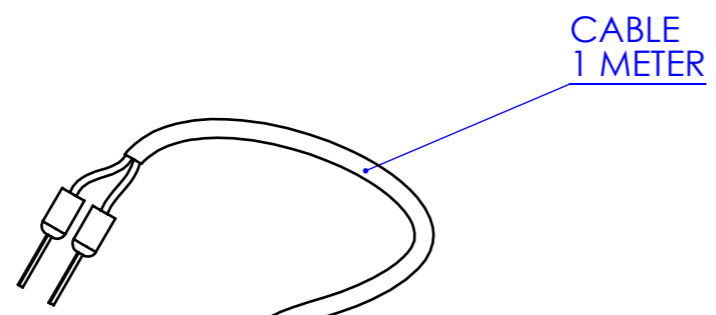


1 2 3 4 5 6 7 8

Rev No.	Description	Date	Name



Material		N.A.		Mass		150 g		Scale		1:1	
Surface treatment		N.A.		Part No.		CO23430					
Geometrical tolerance (ISO 2768-2)								Class		K	
Linear tolerance (ISO 2768-2)								Class		m	
0.5	>3	>6	>30	>120	>400	>1000	>2000	Undimensioned bevels	0.5x45°		
± 3	± 6	± 30	± 120	± 400	± 1000	± 2000	± 4000	Undimensioned radii	R 0.5		
± 0.1	± 0.1	± 0.2	± 0.3	± 0.5	± 0.8	± 1.2	± 2	Date		Name	
<p>OPTO ENGINEERING S.r.l. - Mantova Italy - Tel. +39 0376 699111 - www.opto-engineering.com</p>		Designed		16/12/2014		Rodella		Drawing No.		Sheet	
		Drawn		16/12/2014		Rodella		DP 23430-A		1/1	
		Checked						<i>Secret and confidential - All rights reserved - No copy, dissemination or circulation is allowed unless specifically authorized in writing by OPTO ENGINEERING S.r.l. - Any violation shall be legally prosecuted.</i>			

1 2 3 4 5 6 7 8

0 1 2 3 4 5 6 7 8 9 10