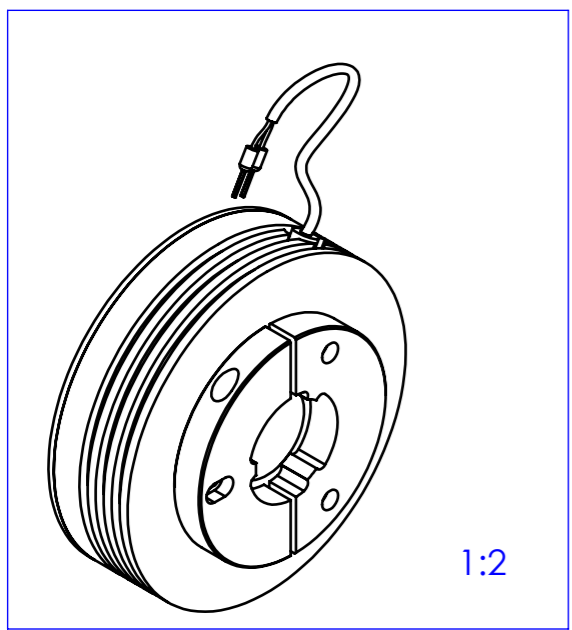
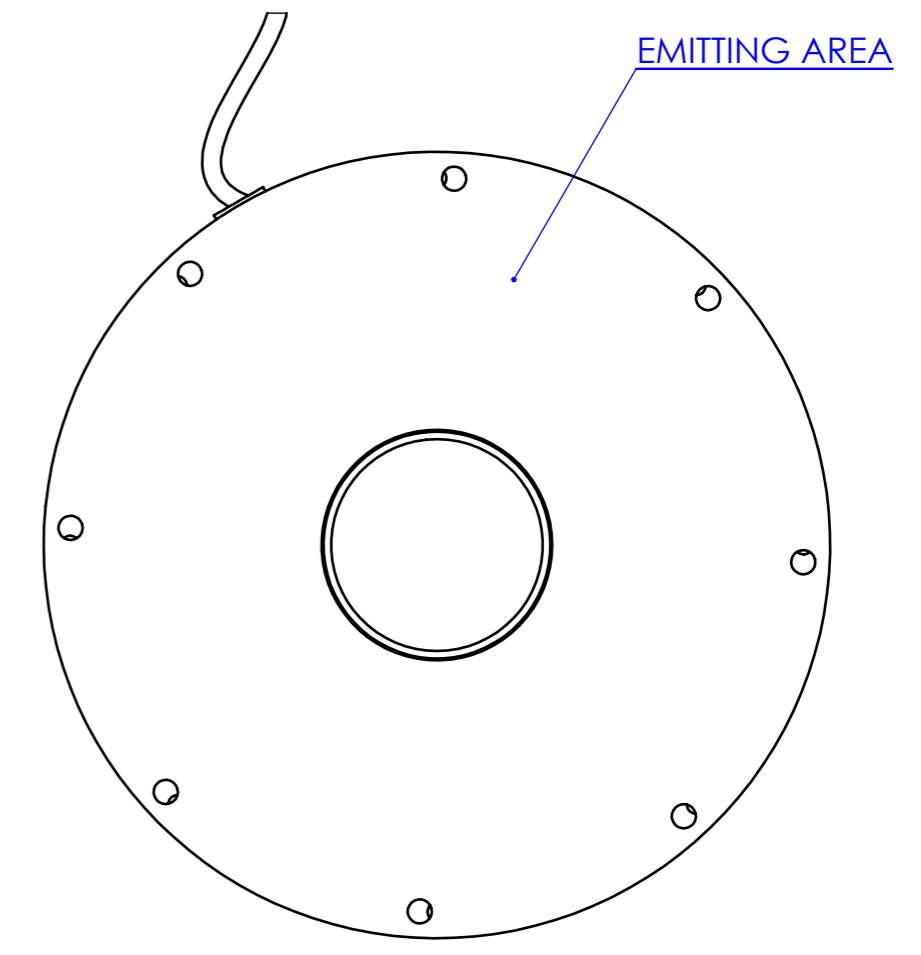
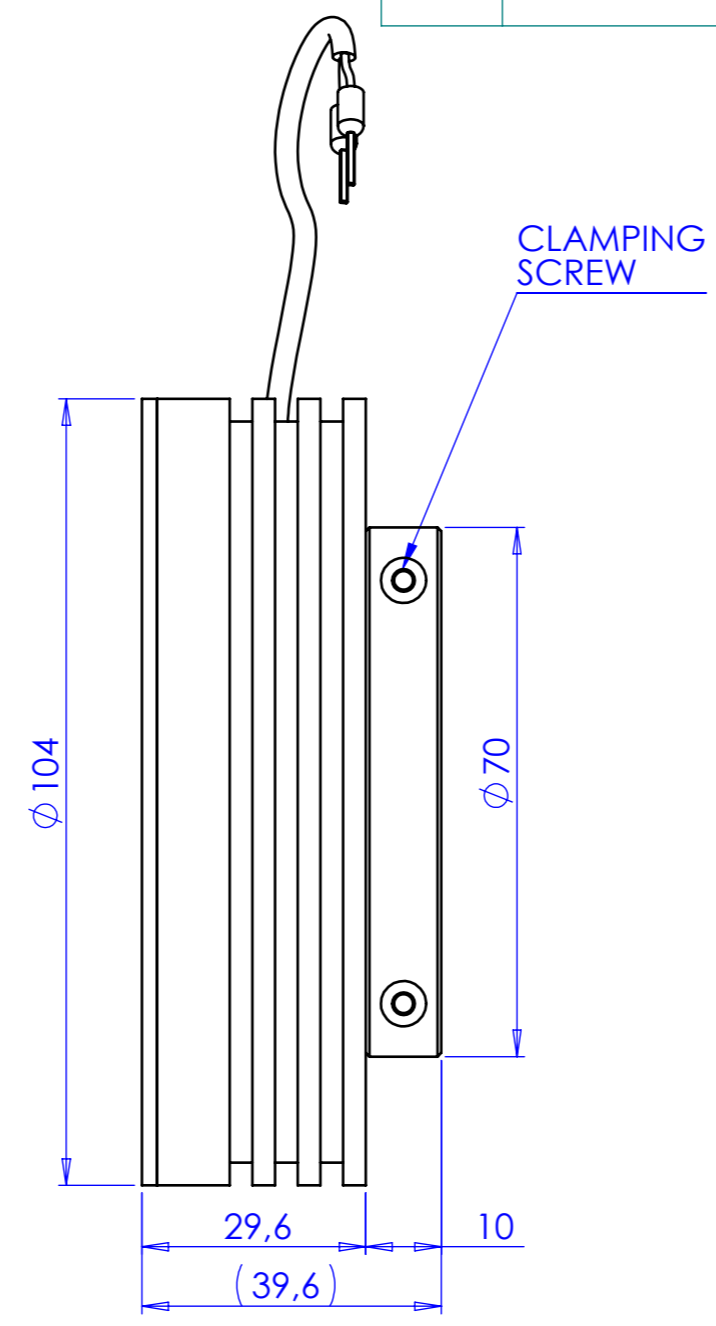
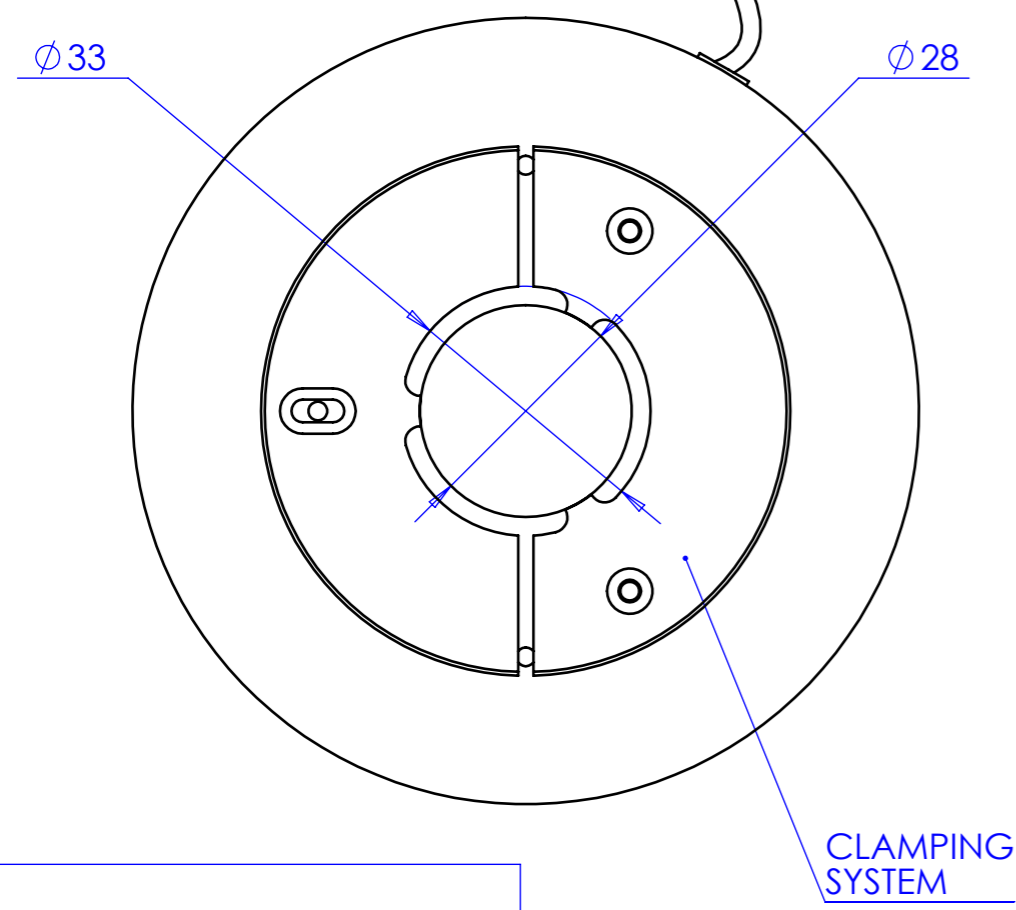
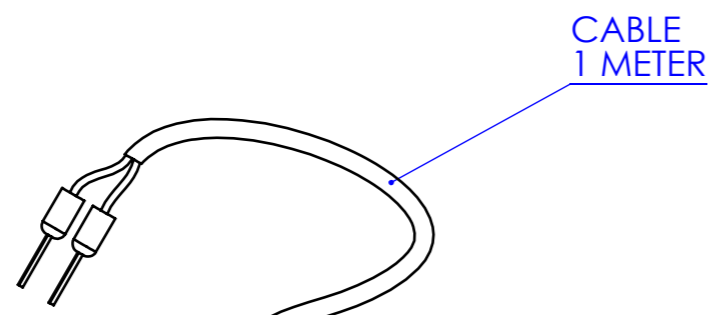


1 2 3 4 5 6 7 8

Rev No.	Description	Date	Name



Material	N.A.	Mass	150 g	Scale	1:1	
Surface treatment	N.A.	Part No.	CO23429			
Geometrical tolerance (ISO 2768-2)		Class	K	Undimensioned bevels	0.5x45°	
Linear tolerance (ISO 2768-2)		Class	m	Undimensioned radii	R 0.5	
0.5 ±3	>3± 6	>6± 30	>30± 120	>120 ±400	>400± 1000	
±0.1	±0.1	±0.2	±0.3	±0.5	±0.8	
					>1000 ±2000	
					±4000	
					±2	
<p>OPTO ENGINEERING S.r.l. - Mantova Italy - Tel. +39 0376 699111 - www.opto-engineering.com</p>		Date	Name			
		Designed	16/12/2014	Rodella		
		Drawn	16/12/2014	Rodella		
Drawing No.		Sheet				
DP 23429-A		1/1				
<p><i>Secret and confidential - All rights reserved - No copy, dissemination or circulation is allowed unless specifically authorized in writing by OPTO ENGINEERING S.r.l. - Any violation shall be legally prosecuted.</i></p>						

1 2 3 4 5 6 7 8

0 1 2 3 4 5 6 7 8 9 10