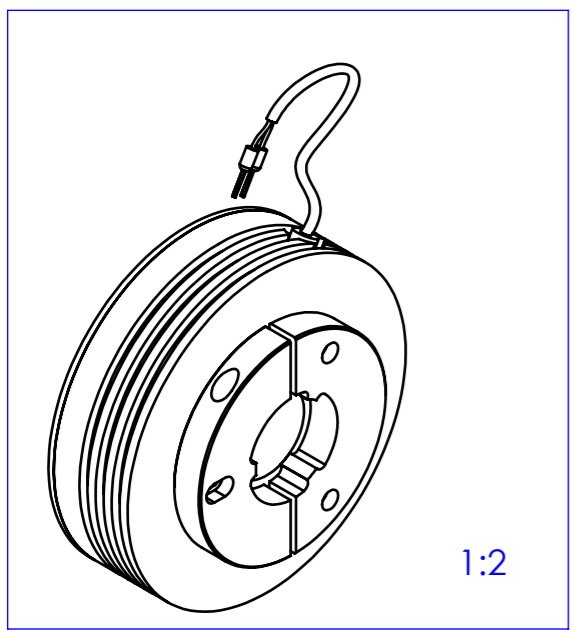
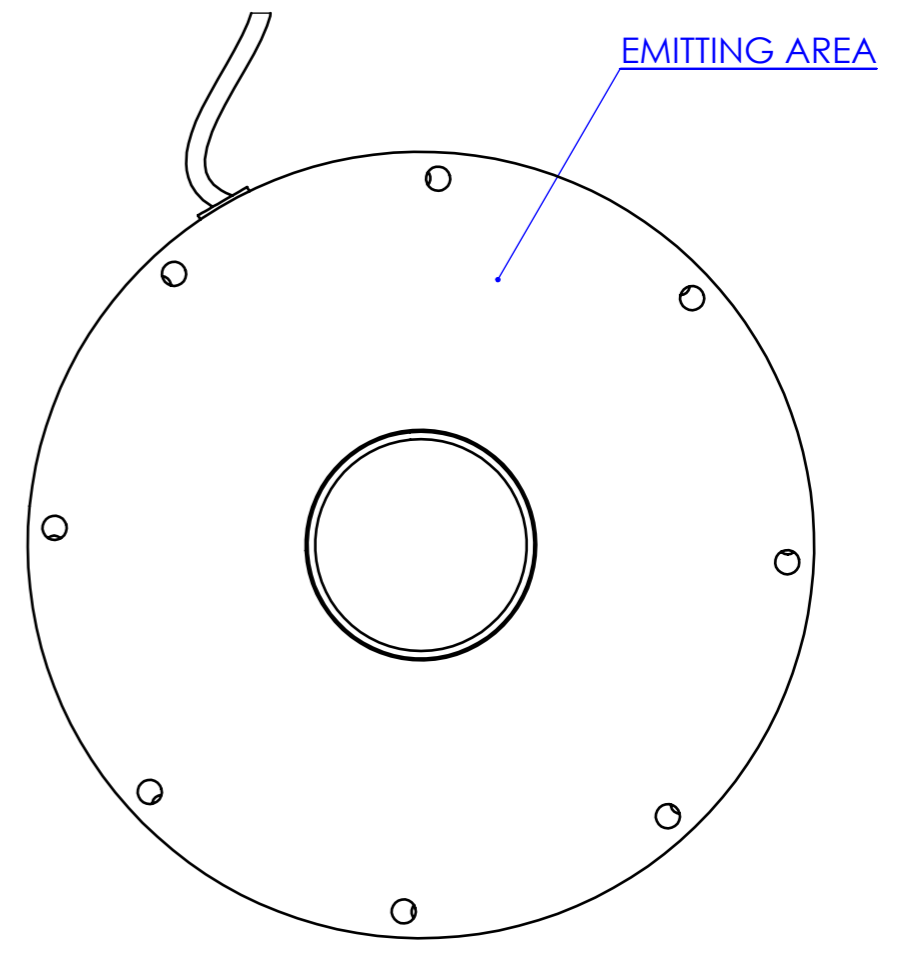
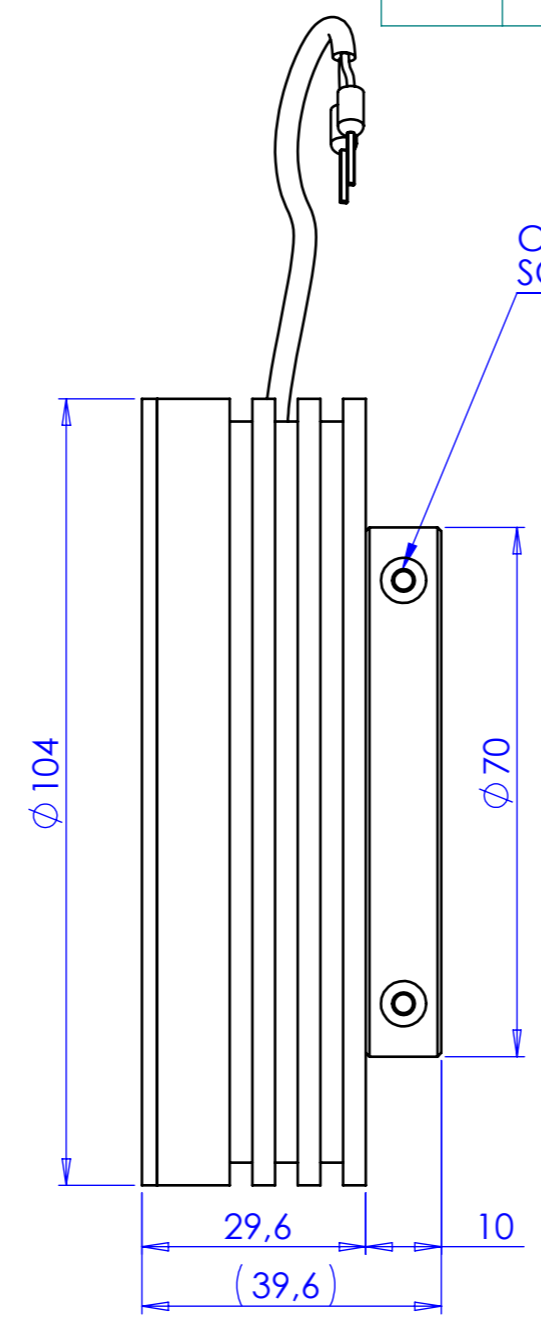
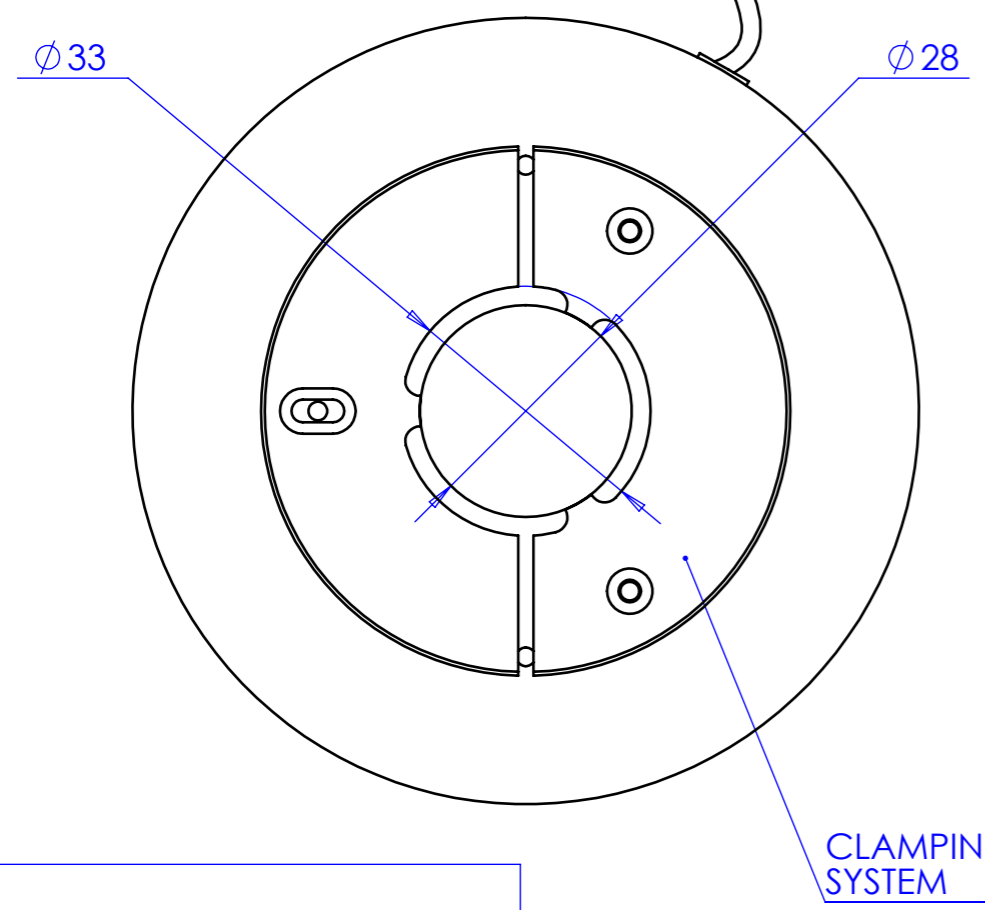
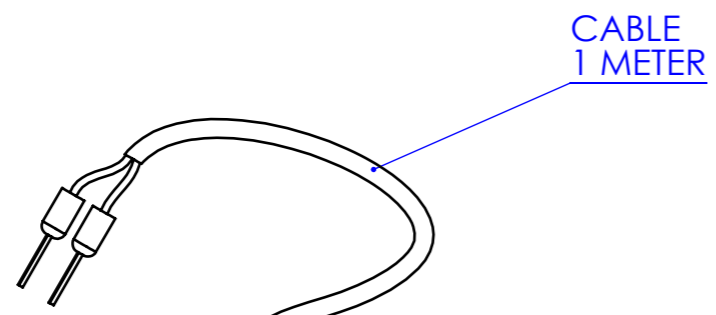


1 2 3 4 5 6 7 8

Rev No.	Description	Date	Name



Material	N.A.			Mass	150 g	Scale	1:1
Surface treatment	N.A.			Part No.	CO23427		
Geometrical tolerance (ISO 2768-2)			Class	K	Description		
Linear tolerance (ISO 2768-2)			Class	m	Undimensioned bevels	0.5x45°	LTRN023NW
0.5 ±3	>3± 6	>6± 30	>30± 120	>120 ±400	>400± 1000	>1000 ±2000	
±0.1	±0.1	±0.2	±0.3	±0.5	±0.8	±1.2	±2
Undimensioned radii			R 0.5		Drawing No.		
			Date	Name	Sheet		
			Designed	16/12/2014	Rodella	1/1	
			Drawn	16/12/2014	Rodella		
Drawing No. DP 23427-A			Secret and confidential - All rights reserved - No copy, dissemination or circulation is allowed unless specifically authorized in writing by OPTO ENGINEERING S.r.l. - Any violation shall be legally prosecuted.				
OPTO ENGINEERING S.r.l. - Mantova Italy - Tel. +39 0376 699111 - www.opto-engineering.com							

1 2 3 4 5 6 7 8

0 1 2 3 4 5 6 7 8 9 10