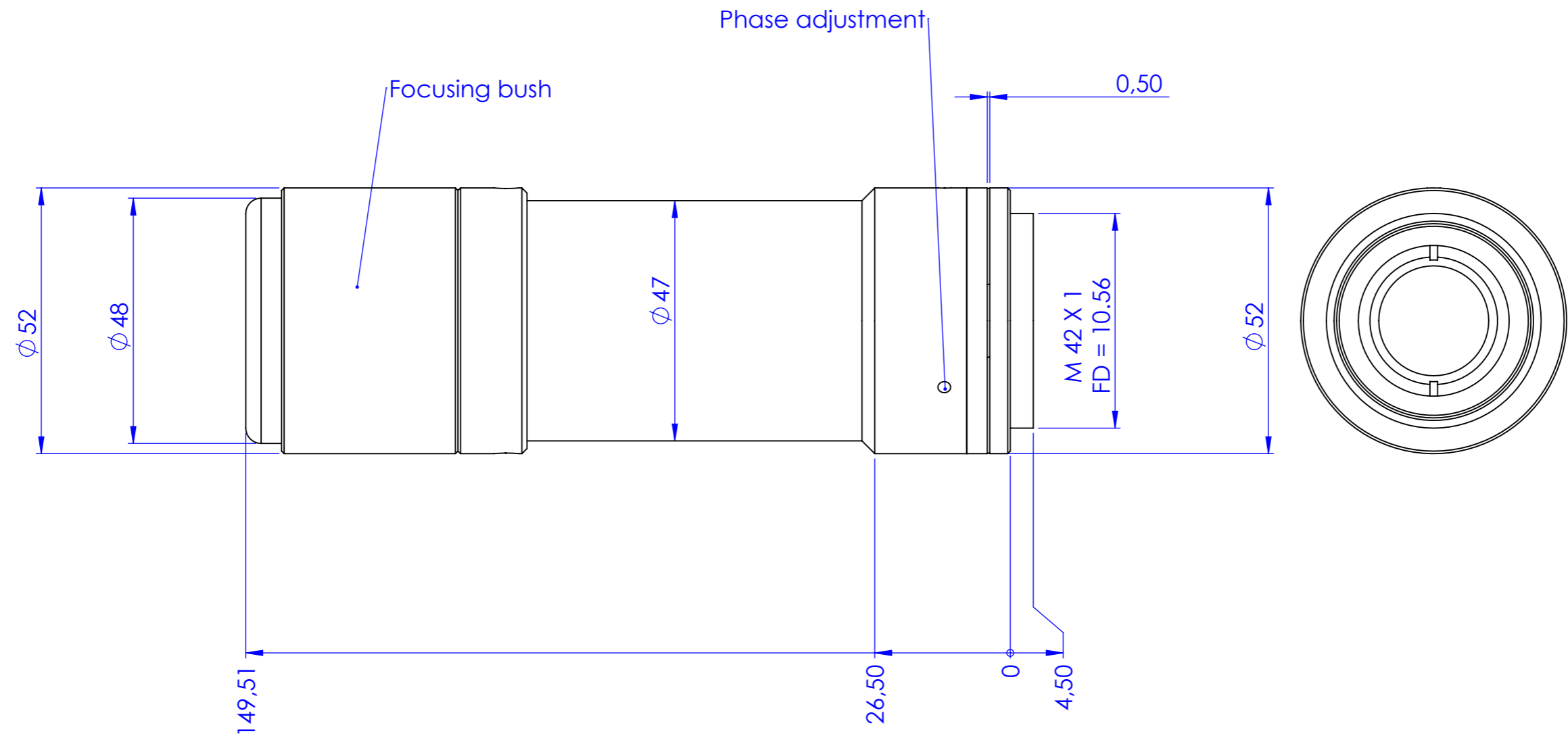


1 2 3 4 5 6 7 8

| Rev No. | Description | Date | Name |
|---------|-------------|------|------|
| | | | |
| | | | |
| | | | |



D
C
B
A

D
C
B
A

| | | | | | | | |
|---|----------|-----------|-------------|--------------|---|----------------|----------------|
| Material | N.A. | | Mass | 534.68 g | Scale | 1:1 | |
| Surface treatment | N.A. | | Part No. | CO23006 | | | |
| Geometrical tolerance (ISO 2768-2) | | | Class | K | Undimensioned bevels | 0.5x45° | |
| Linear tolerance (ISO 2768-2) | | | Class | m | Undimensioned radii | R 0.5 | |
| 0.5 ±3 | >3± 6 | >6± 30 | >30± 120 | >120 ±400 | >400± 1000 | >1000 ±2000 | >2000 ±4000 |
| ±0.1 | ±0.1 | ±0.2 | ±0.3 | ±0.5 | ±0.8 | ±1.2 | ±2 |
| OPTO ENGINEERING THE TELECENTRIC COMPANY OPTO ENGINEERING S.r.l. - Mantova Italy - Tel. +39 0376 699111 - www.opto-engineering.com | | | Date | Name | Drawing No. | Sheet | |
| | | | Designed | 04/06/2014 | Bna | DP 23006-A | 1/1 |
| | | | Drawn | 19/06/2014 | Bna | | |
| all dimensions are in mm | | | Checked | | Secret and confidential - All rights reserved - No copy, dissemination or circulation is allowed unless specifically authorized in writing by OPTO ENGINEERING S.r.l. - Any violation shall be legally prosecuted. | | |

1 2 3 0 1 2 3 4 5 6 7 8 9 10 6 7 8