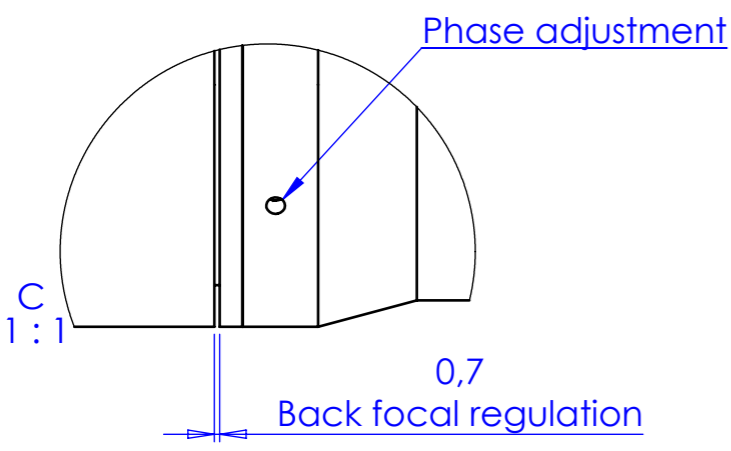
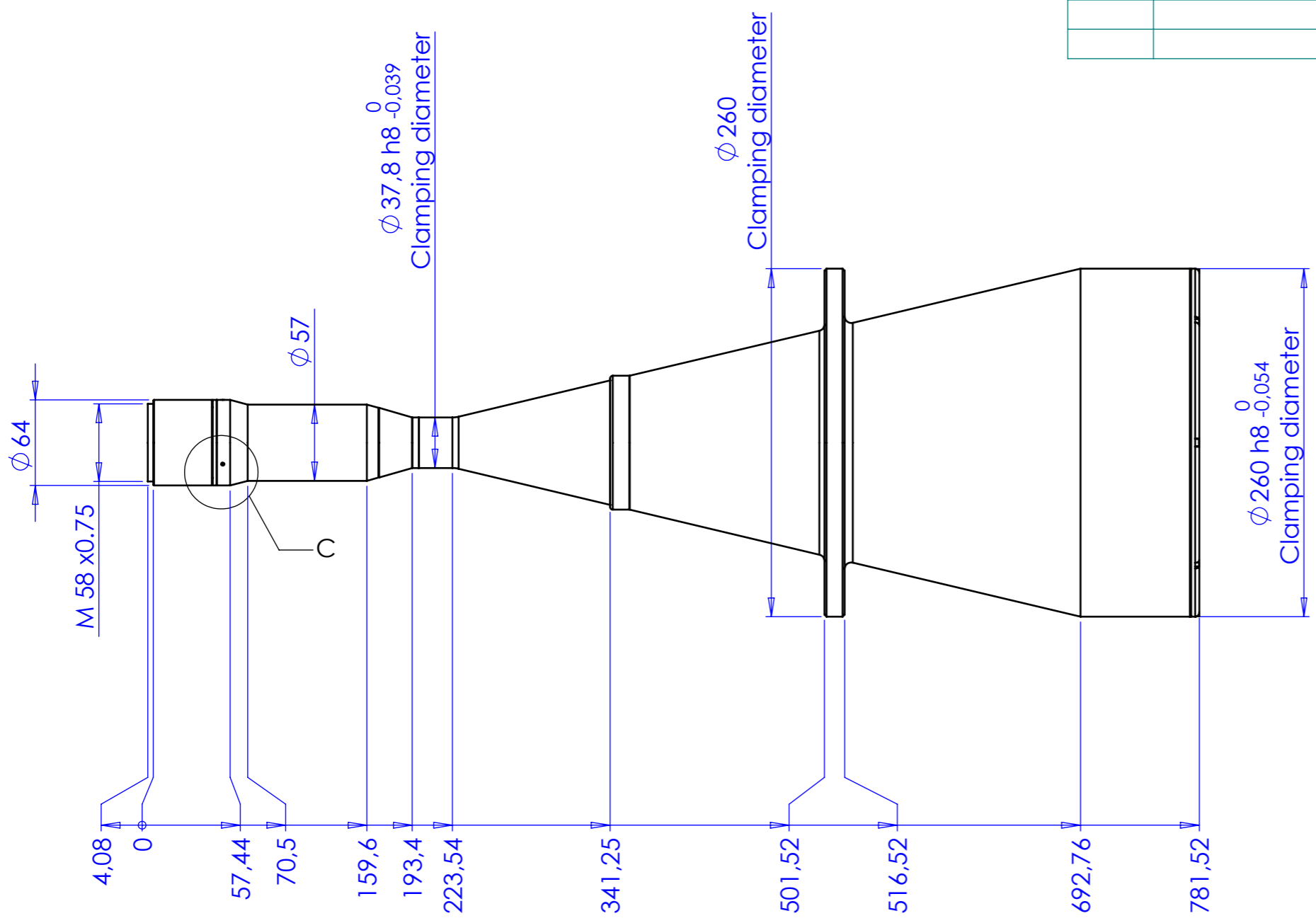


| Rev No. | Description | Date | Name |
|---------|-------------|------|------|
| | | | |
| | | | |
| | | | |



| | | | | | |
|---|----------|------------|----------------------|--------------|----------------------------------|
| Material | N.A. | Mass | 10315 g | Scale | 1:4 |
| Surface treatment | N.A. | Part No. | CO21502 | | |
| Geometrical tolerance (ISO 2768-2) | Class | K | Undimensioned bevels | 0,5x45° | Description TC16M192-Q |
| Linear tolerance (ISO 2768-2) | Class | m | Undimensioned radii | R 0,5 | |
| 0,5 ±3 | >3± 6 | >6± 30 | >30± 120 | >120 ±400 | >400± 1000 |
| ±0,1 | ±0,1 | ±0,2 | ±0,3 | ±0,5 | ±0,8 |
| | | | | | ±1,2 |
| | | | | | ±2 |
| OPTO ENGINEERING S.r.l. - Mantova Italy - Tel. +39 0376 699111 - www.opto-engineering.com | Date | Name | Drawing No. | Sheet | |
| | Designed | 13/11/2014 | Santini | DP 21502-A | |
| | Drawn | 05/05/2015 | Rodella | | |
| Checked | | | | 1/1 | |
| <i>Secret and confidential - All rights reserved - No copy, dissemination or circulation is allowed unless specifically authorized in writing by OPTO ENGINEERING S.r.l. - Any violation shall be legally prosecuted.</i> | | | | | |