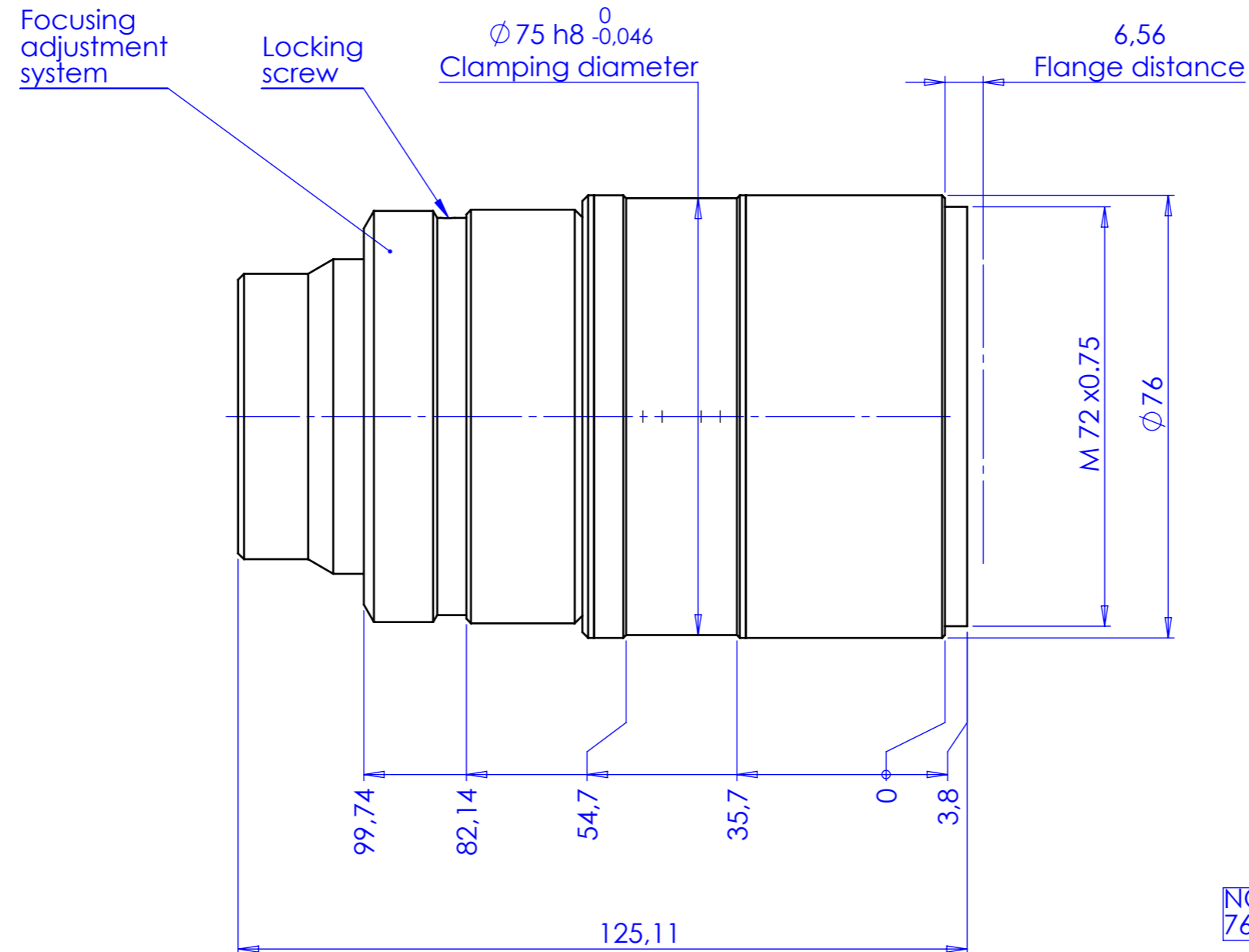


1 2 3 4 5 6 7 8

| Rev No. | Description | Date | Name |
|---------|-------------|------|------|
|         |             |      |      |
|         |             |      |      |
|         |             |      |      |



NOMINAL WORKING DISTANCE  
762,0 mm ±3%

|   |          |           |  |                                   |   |                |                |     |
|---|----------|-----------|--|-----------------------------------|---|----------------|----------------|-----|
| Material  | N.A.     |           |  | Mass                              | 890 g   | Scale          | 1:1            |     |
| Surface treatment   | N.A.     |           |  | Part No.                          | CO21231   |                |                |     |
| Geometrical tolerance (ISO 2768-2)  |          |           | Class<br>K<br>m<br>Undimensioned bevels<br>0,5x45°<br>Undimensioned radii<br>R 0,5 | Description<br><b>MC12K012X-R</b> |   |                |                |     |
| Linear tolerance (ISO 2768-2)   |          |           |  |                                   |   |                |                |     |
| 0,5<br>±3   | >3±<br>6 | >6±<br>30 | >30±<br>120  | >120<br>±400                      | >400±<br>1000   | >1000<br>±2000 | >2000<br>±4000 |     |
| ±0,1  | ±0,1     | ±0,2      | ±0,3   | ±0,5                              | ±0,8  | ±1,2           | ±2             |     |
| OPTO ENGINEERING S.r.l. - Mantova Italy - Tel. +39 0376 699111 - www.opto-engineering.com |          |           | Date   | Name                              | Drawing No.   |                | Sheet          |     |
|   |          |           | Designed   | 18/06/2014                        | Santini   | DP 21231 -A    |                | 1/1 |
|   |          |           | Drawn  | 23/09/2014                        | Rodella   |                |                |     |
| all dimensions are in mm  |          |           | Checked  |                                   | Secret and confidential - All rights reserved -<br>No copy, dissemination or circulation is allowed unless<br>specifically authorized in writing by OPTO ENGINEERING<br>S.r.l. - Any violation shall be legally prosecuted. |                |                |     |

1 2 3 4 5 6 7 8

0 1 2 3 4 5 6 7 8 9 10