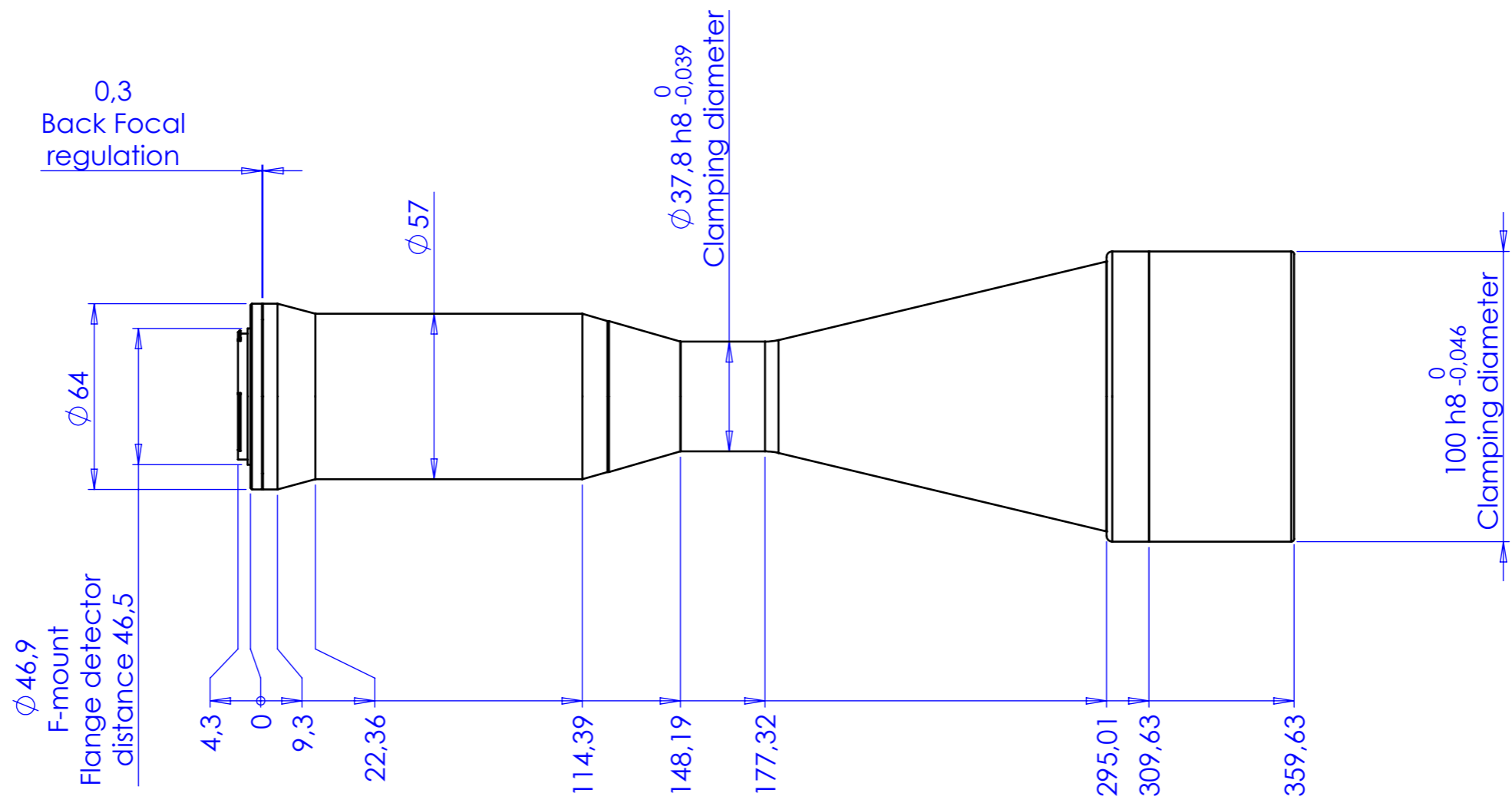



1 2 3 4 5 6 7 8

Rev No.	Description	Date	Name



D
C
B
A

D
C
B
A

Material		N.A.		Mass		1299 g		Scale		1:2					
Surface treatment		N.A.		Part No.		CO19331									
Geometrical tolerance (ISO 2768-2)								Class		K					
Linear tolerance (ISO 2768-2)								Class		m					
0.5	>3±	>6±	>30±	>120	>400±	>1000	>2000	Undimensioned bevels		0.5x45°					
±3	6	30	120	±400	1000	±2000	±4000	Undimensioned radii		R 0.5					
±0.1	±0.1	±0.2	±0.3	±0.5	±0.8	±1.2	±2	Description							
								Date		Name		Drawing No.		Sheet	
Designed 13/11/2014 Santini Drawn 04/05/2015 Rodella Checked								Date		Name		Drawing No.		Sheet	
OPTO ENGINEERING S.r.l. - Mantova Italy - Tel. +39 0376 699111 - www.opto-engineering.com								Date		Name		Drawing No.		Sheet	
TC16M064-F								Date		Name		Drawing No.		Sheet	
DP 19331 -A								Date		Name		Drawing No.		Sheet	
Secret and confidential - All rights reserved - No copy, dissemination or circulation is allowed unless specifically authorized in writing by OPTO ENGINEERING S.r.l. - Any violation shall be legally prosecuted.								Date		Name		Drawing No.		Sheet	

1 2 3 4 5 6 7 8

0 1 2 3 4 5 6 7 8 9 10