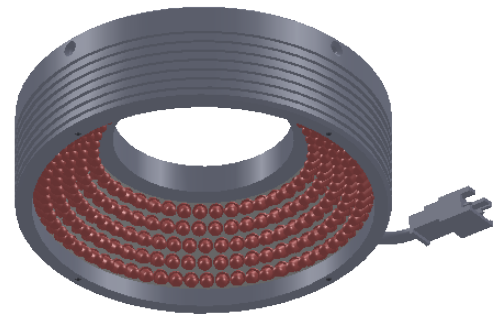


D

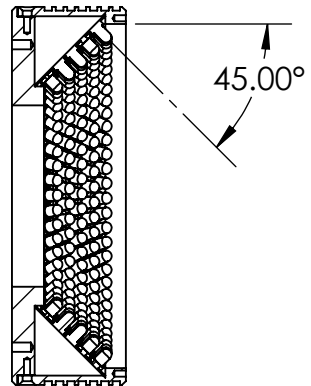
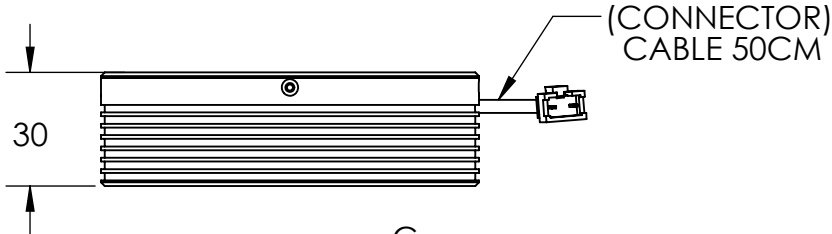
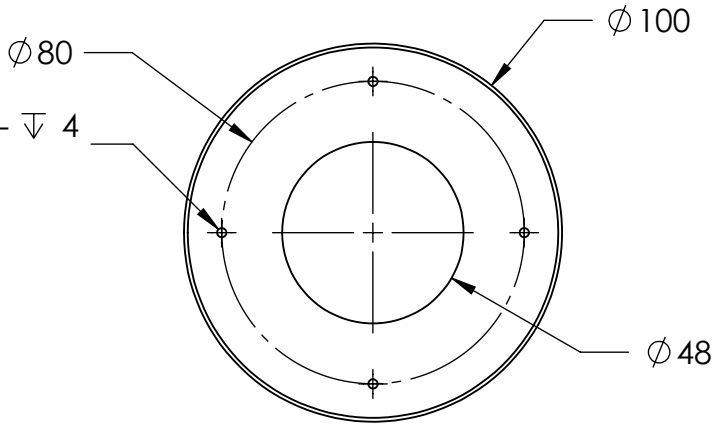
C

B

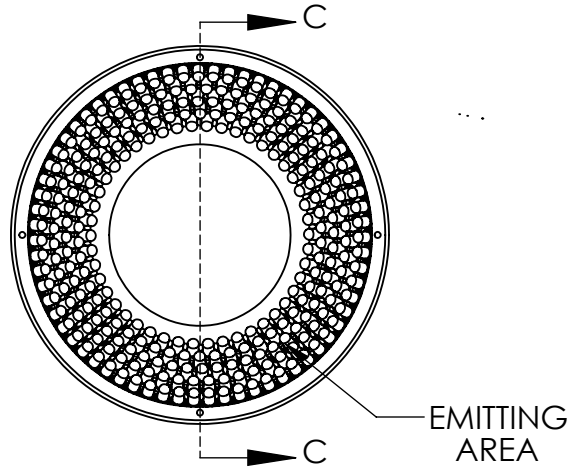
A




4X TAP M3X0.5 - ∇ 4
NOT THRU



SECTION C-C
SCALE 1 : 2



	DESIGN BY	FL LUEI	UNIT: MM	PRODUCT SERIES: LTZGK SERIES	
	CHECK BY	KB TAN			
	DATE	31/05/2018	REVISION:	TITLE	DRAWING LAYOUT
	MATERIAL	-	SCALE:	PART NO	LTZGK100-45-5-R-24V
	FINISHING	-	1 : 1	DWG NO	-
QTY	-				SHEET 1 OF 1