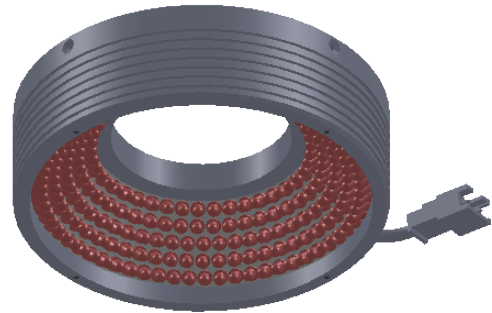


D

C

B

A

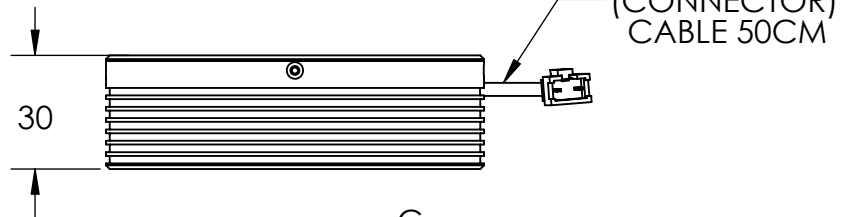


4X TAP M3X0.5 - ∇ 4
NOT THRU

ϕ 80

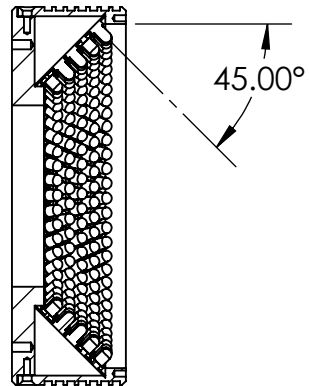
ϕ 100

ϕ 48



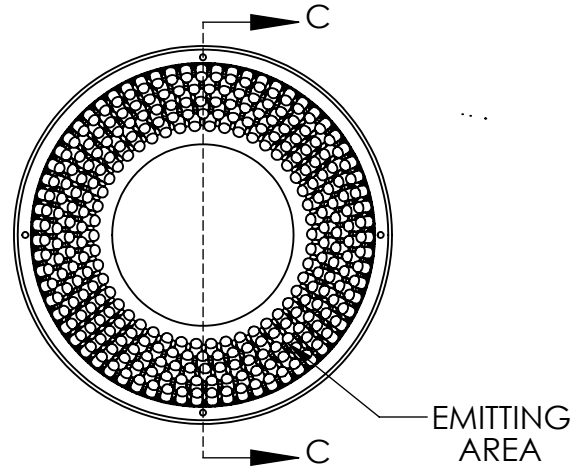
30

(CONNECTOR)
CABLE 50CM




45.00°

SECTION C-C
SCALE 1 : 2



EMITTING
AREA

	DESIGN BY	FL LUEI	UNIT: MM	PRODUCT SERIES: LTZGK SERIES	
	CHECK BY	KB TAN			
	DATE	31/05/2018	REVISION:	TITLE	DRAWING LAYOUT
	MATERIAL	-	SCALE:	PART NO	LTZGK100-45-5-G-24V
	FINISHING	-	1 : 1	DWG NO	-
QTY	-				SHEET 1 OF 1