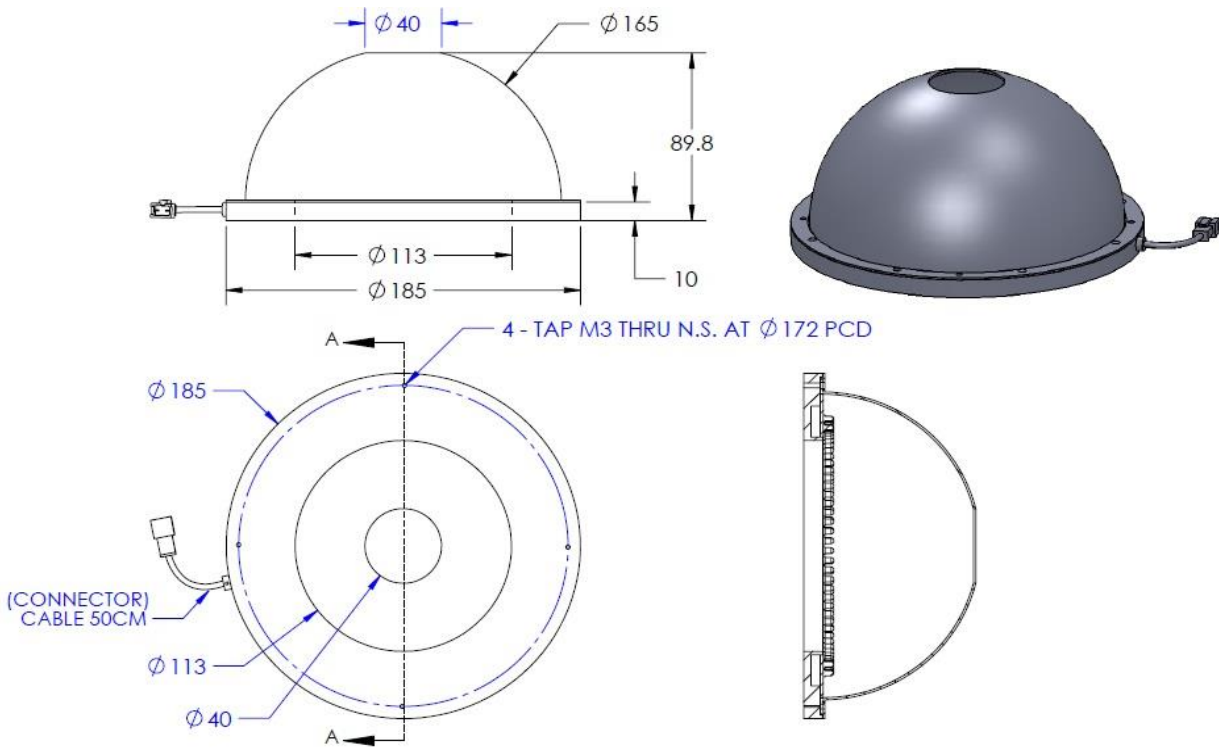




ILLUMINATOR DATA

IDS4-00-150-1-W-24V


Lighting Dimension



Mechanical Information	
Casing Material	Aluminium
Storage Temperature Range	Temp 0-45°C, Humidity 20-85%
Weight	560g
Outer Diameter	185
Inner Diameter	40
Thickness	89.8



IDS4-00-150-1-W-24V

Optical Information				
Part Number		IDS4-00-150-1-W-24V		
LED Color		WHITE		
Wavelength	(nm)	*Refer to the Chromaticity Table below		
Intensity	(Lux)	11930	9830	6920
Working Distance	(mm)	50	60	80
Illumination (number of row)		1		
Illumination Active Area				
Active Inner Diameter	(mm)	40		
Active Outer Diameter	(mm)	113		
Emission angle	(deg.)	0		
Eye Safety Class		II		
*CHROMATICITY TABLE				
X	0.296	0.287	0.307	0.311
Y	0.276	0.295	0.315	0.294
X	0.311	0.307	0.33	0.33
Y	0.294	0.315	0.339	0.318
Electrical Information				
Lighting Supply Voltage (constant voltage mode)		24V ± 2%		
Continuous Current	(mA)	240		
Power Consumption	(W)	5.76		
LED temperature, Operating after 60 minutes	°C	45		
Lighting casing temperature, Operating after 60 minutes	°C	-		
Strobe Mode Specification				
Pulse Operation		YES		
Max. Lighting Supply Voltage (Constant voltage power supply)	(V)	Pulsing at 24VDC to 48VDC, 0-10% Duty Cycle Recommended at 36VDC		
Pulse Current, (Max. 10msec) (Constant current power supply)	(mA)	720		
Max. Trigger Pulse Duration	(msec)	10		
Duty Cycle		0-10%		
Additional Information				
Additional Cooling Method		Attached to machine part for better heat dissipation		
Life span in continuous mode		20,000 hours (drop to 50% intensity) at 25°C		
Life span in strobe mode		Est. >50,000 hours (drop to 50% intensity) at 25°C		
Intensity Controller Selection		ANG-Series, LC-Series, STB-Series		
CE Conformity		YES		
RoHS Compliance		YES		
Connection				
Connector Type (Default):		JST SMR-03V		
Cable Length out from lighting :	(mm)	500		
Pin Configuration :		Pin	Signal	Cable Color
		1	LED +	RED
		2	N.C.	---
		3	LED -	WHITE
				
Application				
Optimal Working Distance	(mm)	50 - 80		