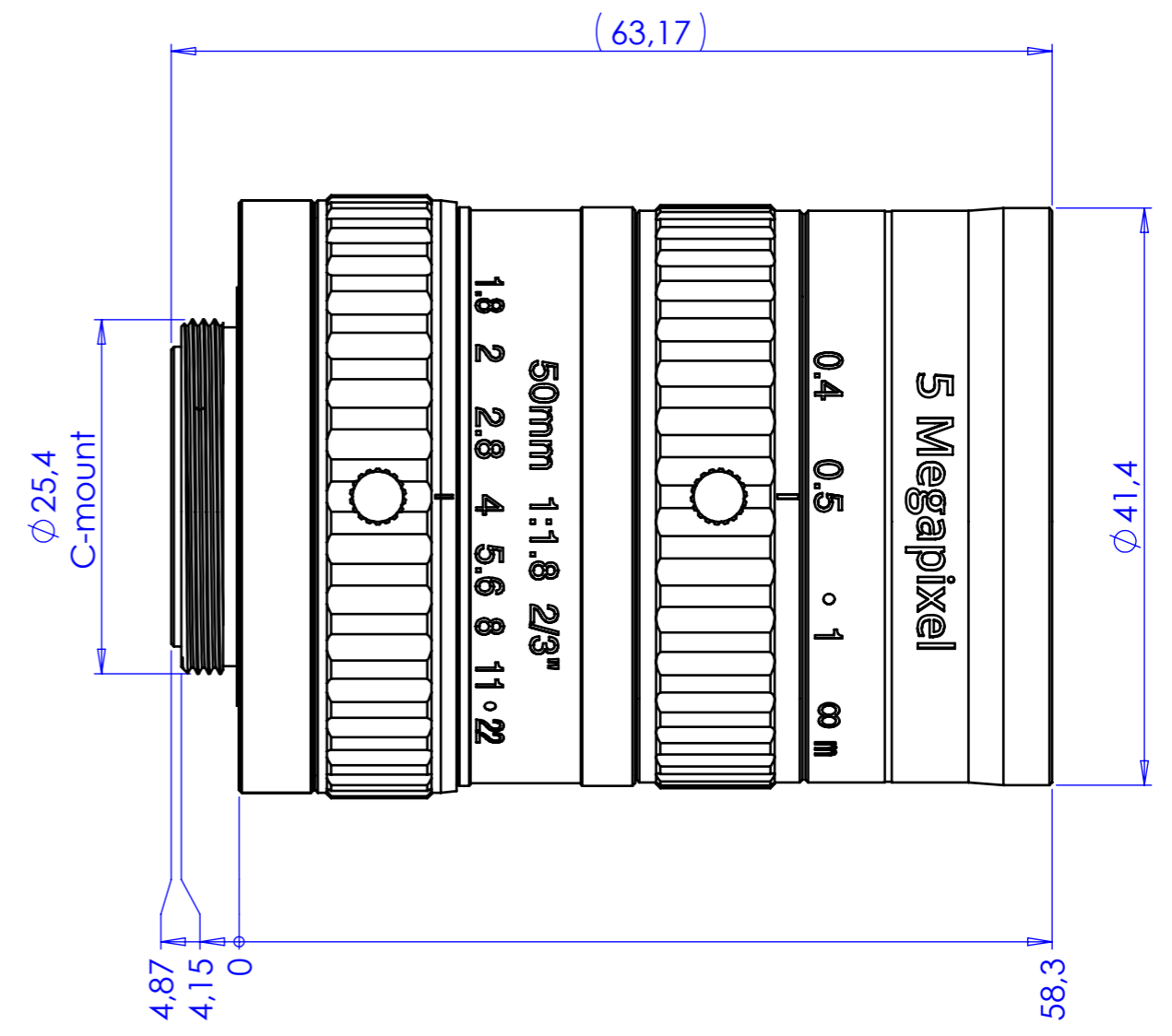
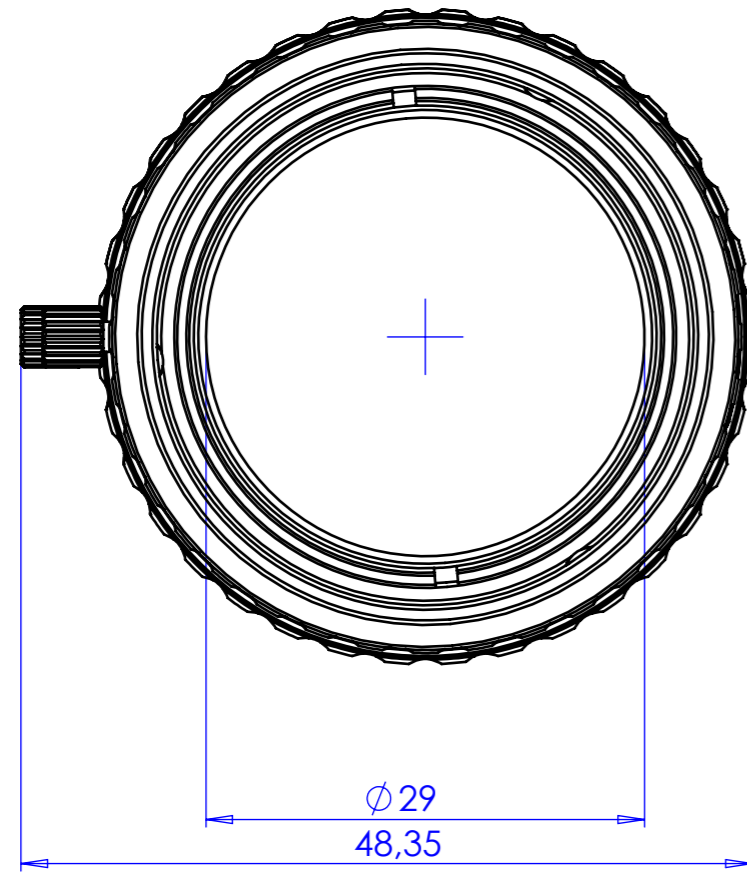


1 2 3 4 5 6 7 8

Rev No.	Description	Date	Name



D
C
B
A

D
C
B
A

Material		N.A.				Mass	20 g	Scale	2:1
Surface treatment		N.A.				Part No. COEN5MP5018			
Geometrical tolerance (ISO 2768-2)				Class	K	Undimensioned bevels		0.5x45°	
Linear tolerance (ISO 2768-2)				Class	m	Undimensioned radii		R 0.5	
0.5 ±3	>3± 6	>6± 30	>30± 120	>120 ±400	>400± 1000	>1000 ±2000	>2000 ±4000	Description	
±0.1	±0.1	±0.2	±0.3	±0.5	±0.8	±1.2	±2	Fix focal EN5MP5018	
		Date		Name		Drawing No.		Sheet	
		Designed 16/04/2018		Rodella		EN5MP5018		1/1	
		Drawn 16/04/2018		Rodella					
Checked									
all dimensions are in mm OPTO ENGINEERING S.r.l. - Mantova Italy - Tel. +39 0376 699111 - www.opto-engineering.com									
Secret and confidential - All rights reserved - No copy, dissemination or circulation is allowed unless specifically authorized in writing by OPTO ENGINEERING S.r.l. - Any violation shall be legally prosecuted.									

1 2 3 0 1 2 3 4 5 6 7 8 9 10 6 7 8