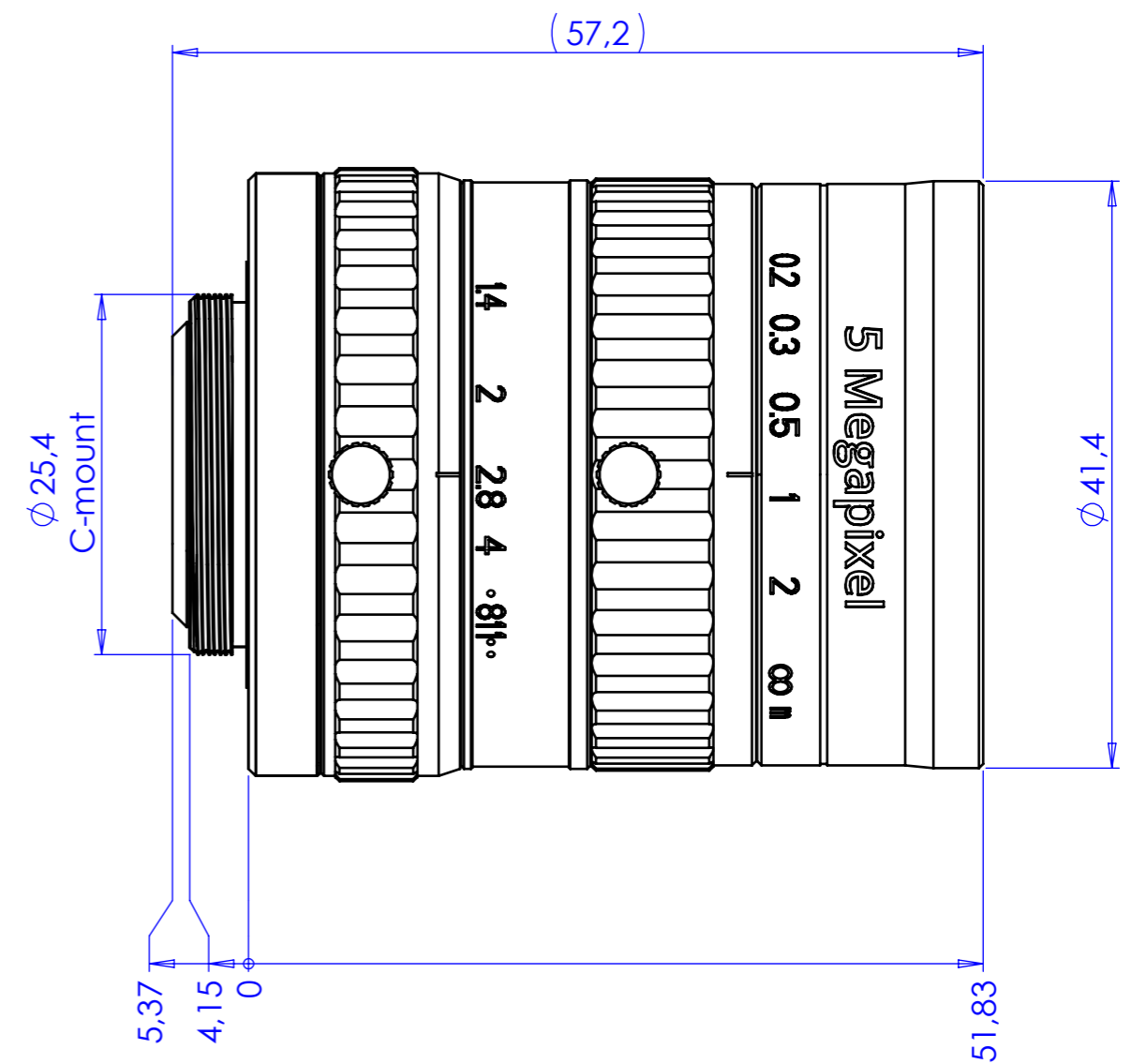
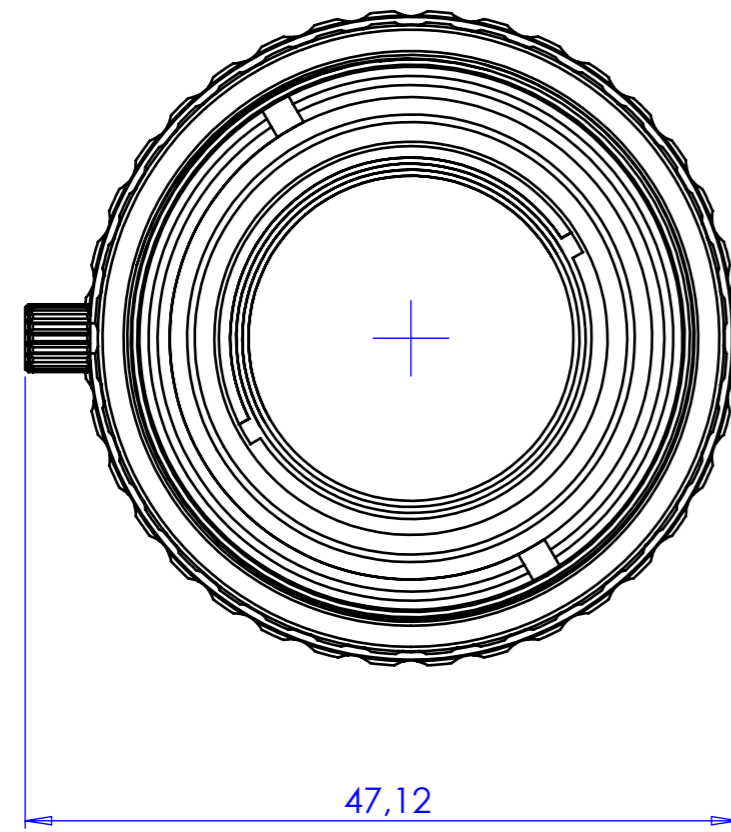



1 2 3 4 5 6 7 8

Rev No.	Description	Date	Name



D
C
B
A

D
C
B
A

Material	N.A.	Mass	21 g	Scale	2:1
Surface treatment	N.A.	Part No.	COEN5MP2514		
Geometrical tolerance (ISO 2768-2)		Class	K	Undimensioned bevels	0,5x45°
Linear tolerance (ISO 2768-2)		Class	m	Undimensioned radii	R 0,5
0,5 ±3	>3± 6	>6± 30	>30± 120	>120 ±400	>400± 1000
±0,1	±0,1	±0,2	±0,3	±0,5	±0,8
±1,2	±2	Date		Name	
		16/04/2018		Rodella	
OPTO ENGINEERING S.r.l. - Mantova Italy - Tel. +39 0376 699111 - www.opto-engineering.com		Checked		Rodella	
Description			Drawing No.		
Fix focal EN5MP2514			EN5MP2514		
Sheet			1/1		
<i>Secret and confidential - All rights reserved - No copy, dissemination or circulation is allowed unless specifically authorized in writing by OPTO ENGINEERING S.r.l. - Any violation shall be legally prosecuted.</i>					

1 2 3 0 1 2 3 4 5 6 7 8 9 10 6 7 8

all dimensions are in mm