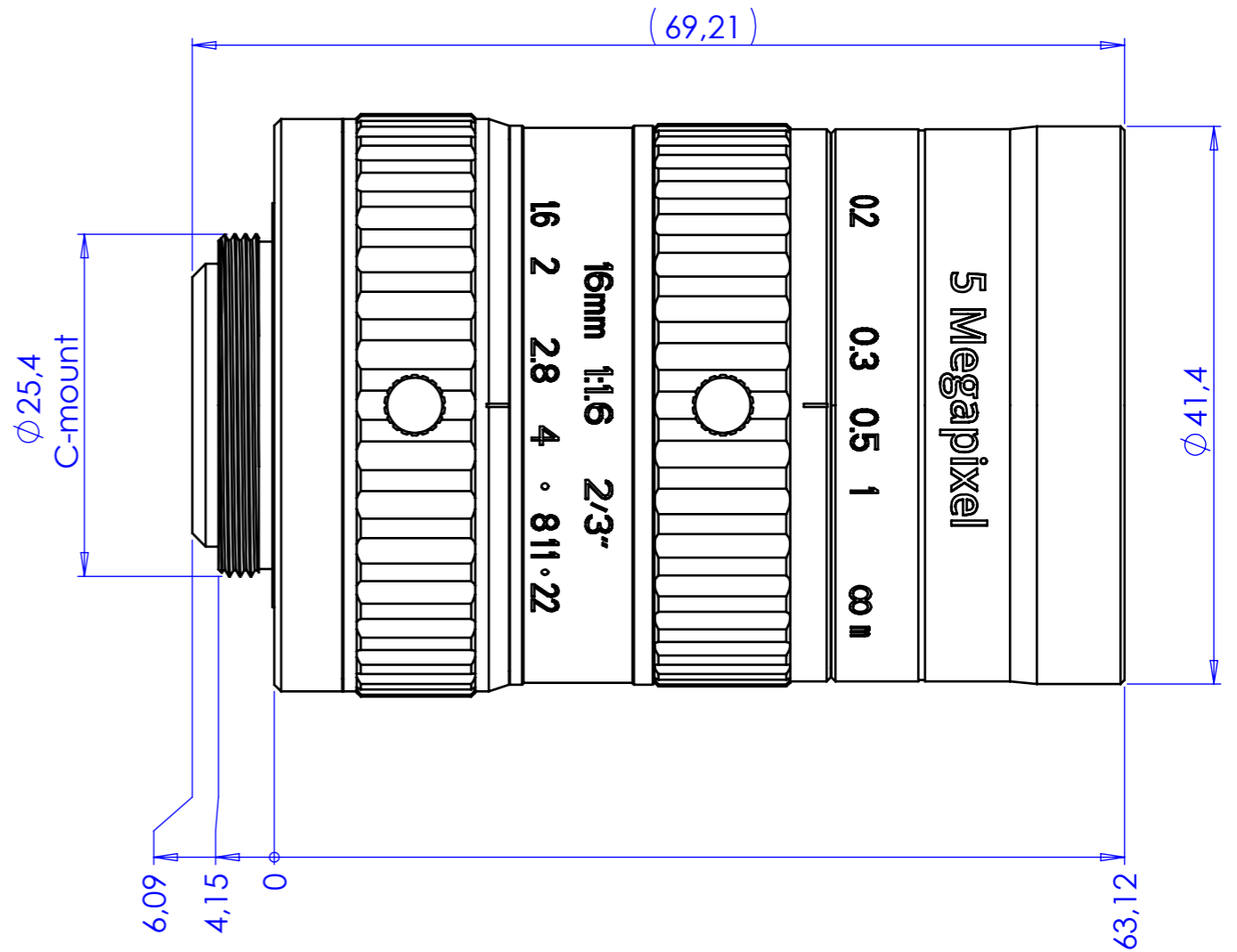
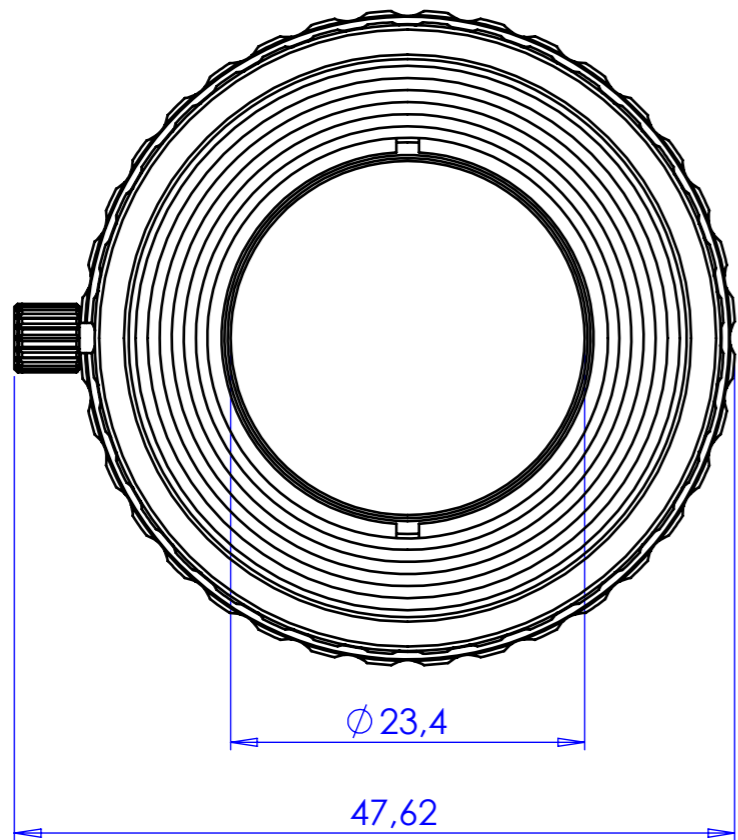


1 2 3 4 5 6 7 8

Rev No.	Description	Date	Name



Material	N.A.	Mass	25 g	Scale	2:1						
Surface treatment	N.A.	Part No.	COEN5MP1616								
Geometrical tolerance (ISO 2768-2)	Class	K	Undimensioned bevels	0.5x45°	Description Fix focal EN5MP1616						
Linear tolerance (ISO 2768-2)	Class	m	Undimensioned radii	R 0.5							
0.5 ±3	>3± 6	>6± 30	>30± 120	>120 ±400	>400± 1000	>1000 ±2000	>2000 ±4000	Date	Name	Drawing No.	Sheet
±0.1	±0.1	±0.2	±0.3	±0.5	±0.8	±1.2	±2	16/04/2018	Rodella	EN5MP1616	1/1
								Designed	Rodella	Secret and confidential - All rights reserved - No copy, dissemination or circulation is allowed unless specifically authorized in writing by OPTO ENGINEERING S.r.l. - Any violation shall be legally prosecuted.	
OPTO ENGINEERING S.r.l. - Mantova Italy - Tel. +39 0376 699111 - www.opto-engineering.com								Drawn	Rodella		
								Checked			

1 2 3 0 1 2 3 4 5 6 7 8 9 10 6 7 8