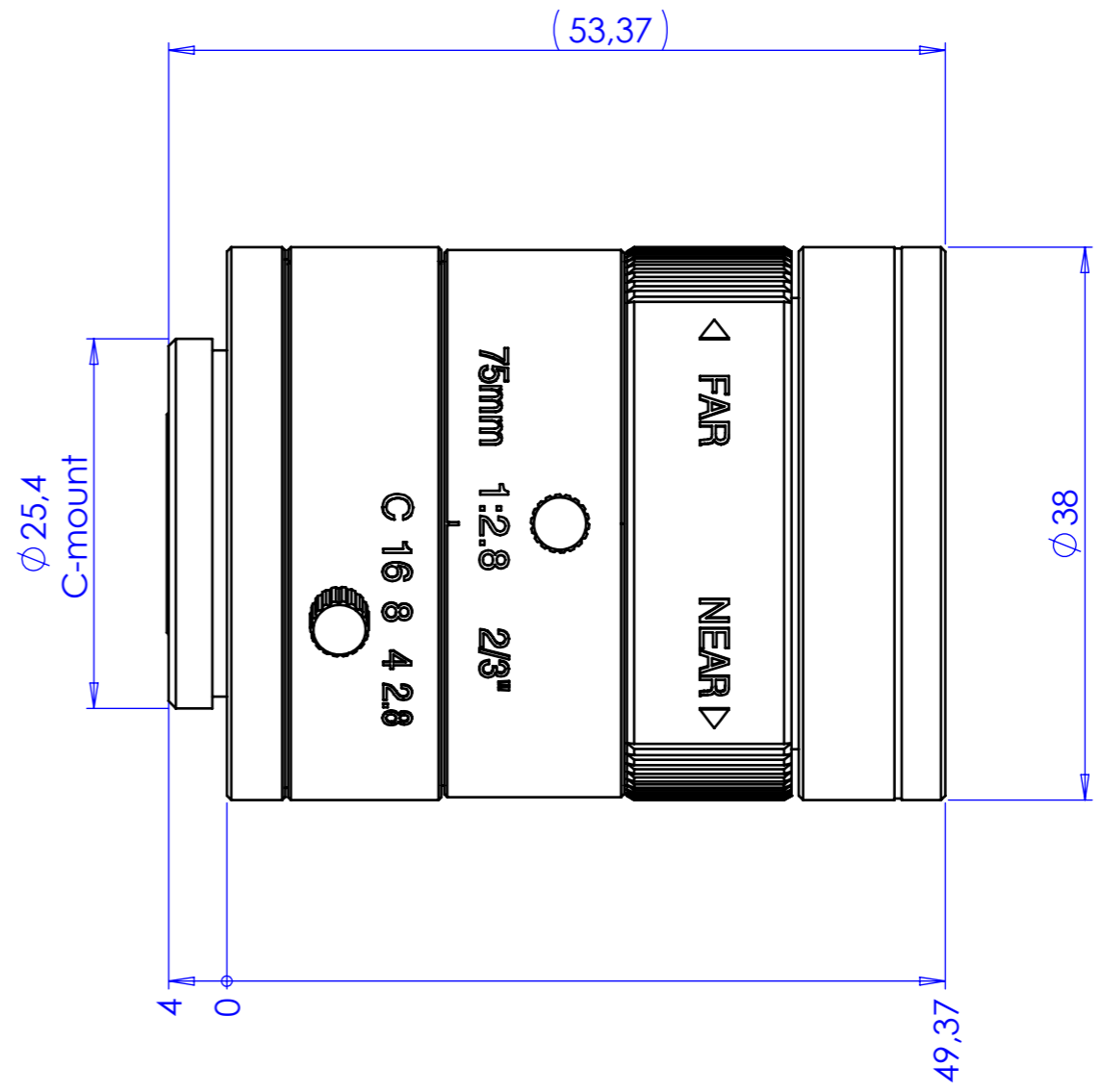
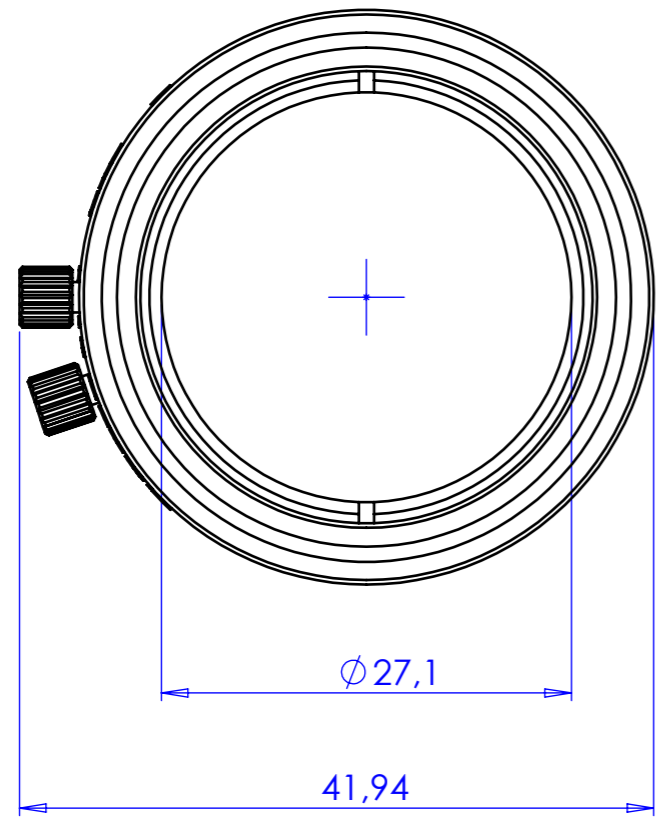


1 2 3 4 5 6 7 8

Rev No.	Description	Date	Name



Material	N.A.		Mass	16 g	Scale	2:1	
Surface treatment	N.A.		Part No.	COEN2MP7528			
Geometrical tolerance (ISO 2768-2)			Class	K	Undimensioned bevels	0.5x45°	
Linear tolerance (ISO 2768-2)			Class	m	Undimensioned radii	R 0.5	
0.5 ±3	>3± 6	>6± 30	>30± 120	>120 ±400	>400± 1000	>1000 ±2000	>2000 ±4000
±0.1	±0.1	±0.2	±0.3	±0.5	±0.8	±1.2	±2
 <b>OPTO ENGINEERING S.r.l. - Mantova Italy - Tel. +39 0376 699111 - www.opto-engineering.com</b>			Date	Name	Drawing No.	Sheet	
			Designed	13/04/2018	Rodella	EN2MP7528	1/1
			Drawn	13/04/2018	Rodella		
all dimensions are in mm			Checked		Secret and confidential - All rights reserved - No copy, dissemination or circulation is allowed unless specifically authorized in writing by OPTO ENGINEERING S.r.l. - Any violation shall be legally prosecuted.		

1 2 3 4 5 6 7 8

0 1 2 3 4 5 6 7 8 9 10