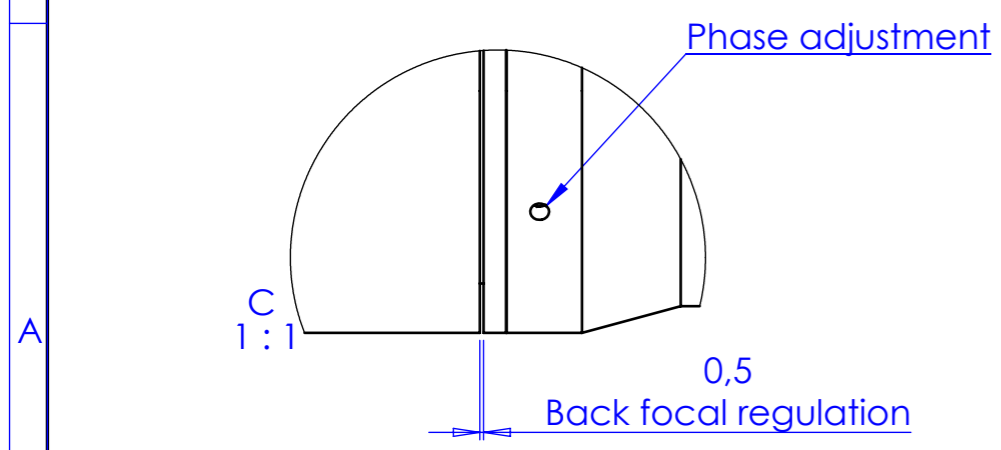
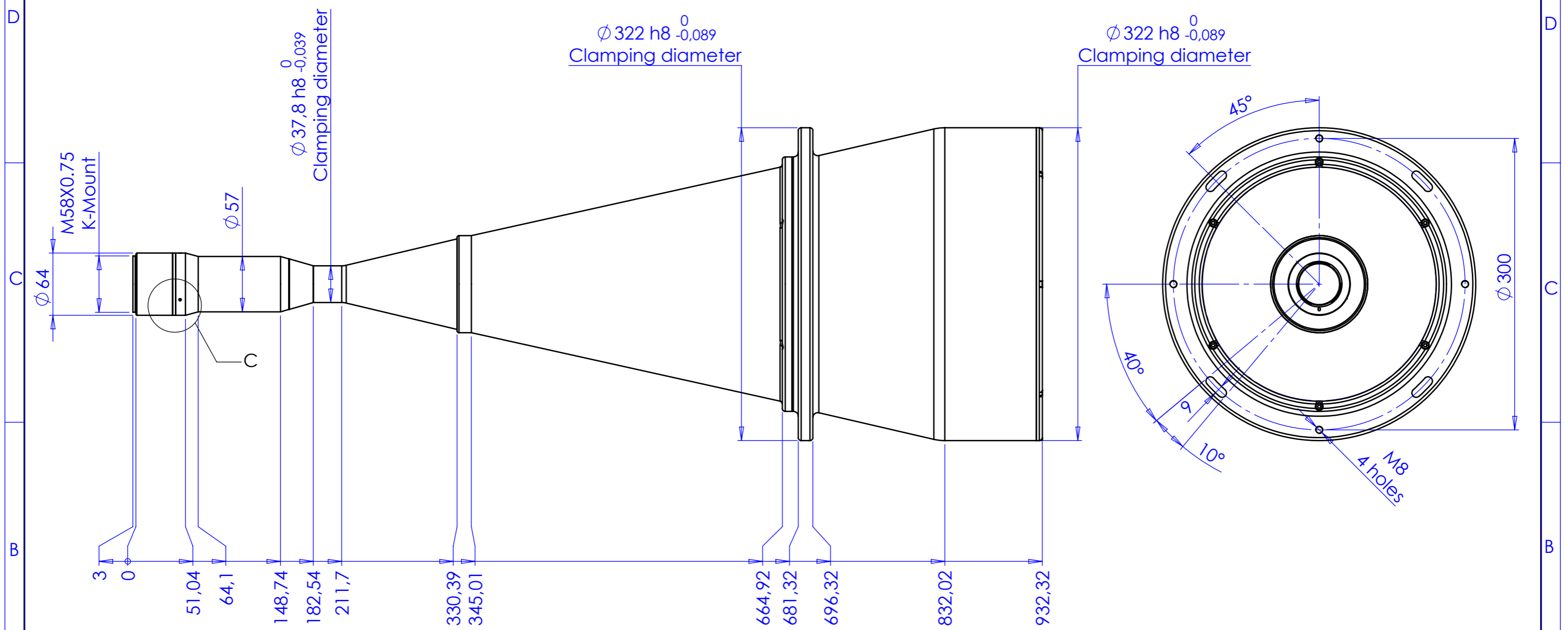


Rev No.	Description	Date	Name



Material	N.A.	Mass	10571 g	Scale	1:4				
Surface treatment	N.A.	Part No.	CO28376						
Geometrical tolerance (ISO 2768-2)	Class	K	Undimensioned bevels	0,5x45°	Description TC16M240-K				
Linear tolerance (ISO 2768-2)	Class	m	Undimensioned radii	R 0,5					
0,5	>3±	>6±	>30±	>120	>400±	>1000	>2000	Drawing No. DP 28376-A	Sheet 1/1
±3	6	30	120	±400	1000	±2000	±4000		
±0,1	±0,1	±0,2	±0,3	±0,5	±0,8	±1,2	±2	Drawing No.	Sheet
Date		Name		Drawing No.		Sheet		Secret and confidential - All rights reserved - No copy, dissemination or circulation is allowed unless specifically authorized in writing by OPTO ENGINEERING S.r.l. - Any violation shall be legally prosecuted.	
Designed		Santini		DP 28376-A		1/1			
Drawn		Ccharly							
Checked									

all dimensions are in mm



OPTO ENGINEERING S.r.l. - Mantova Italy - Tel. +39 0376 699111 - www.opto-engineering.com