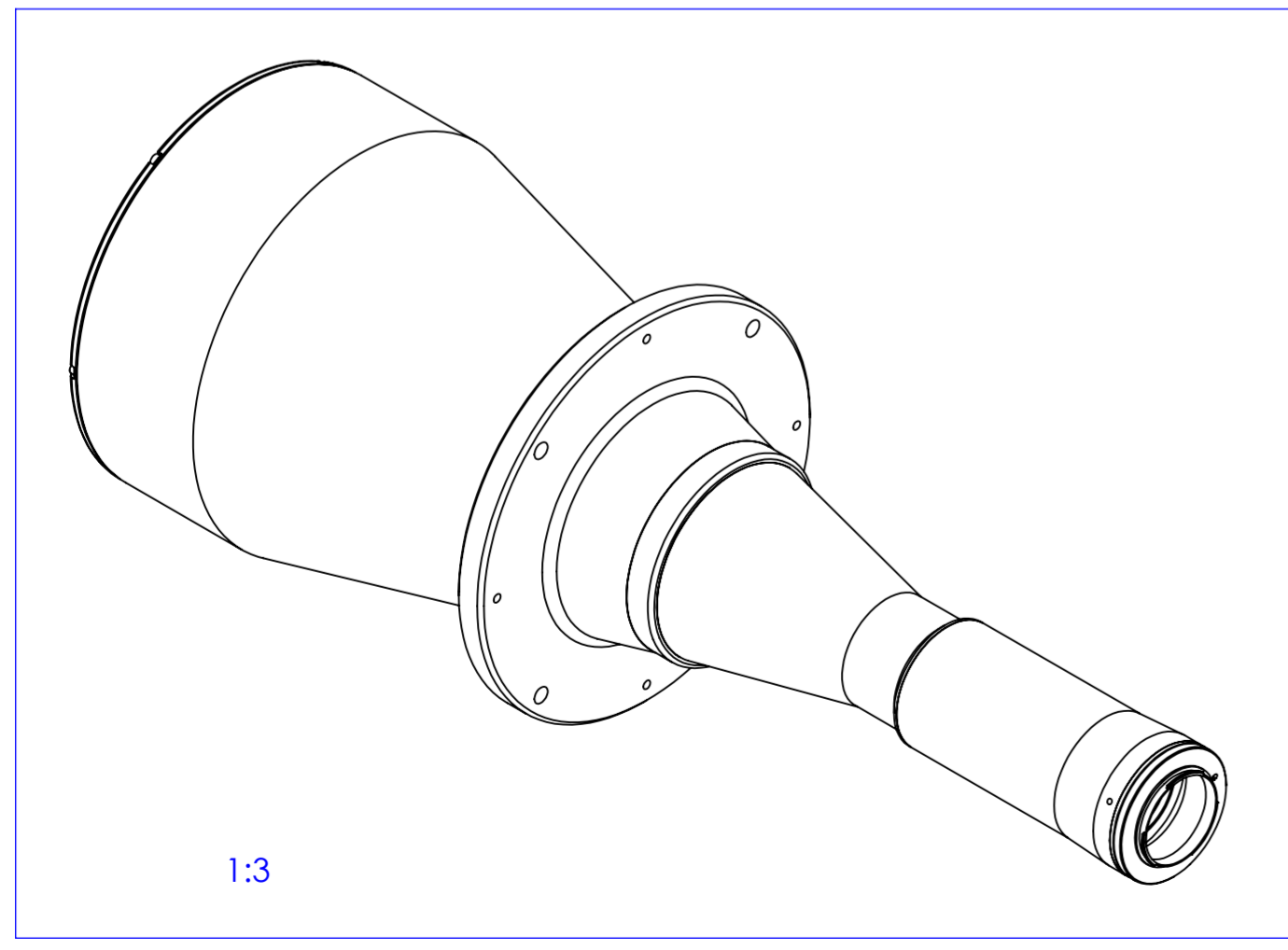
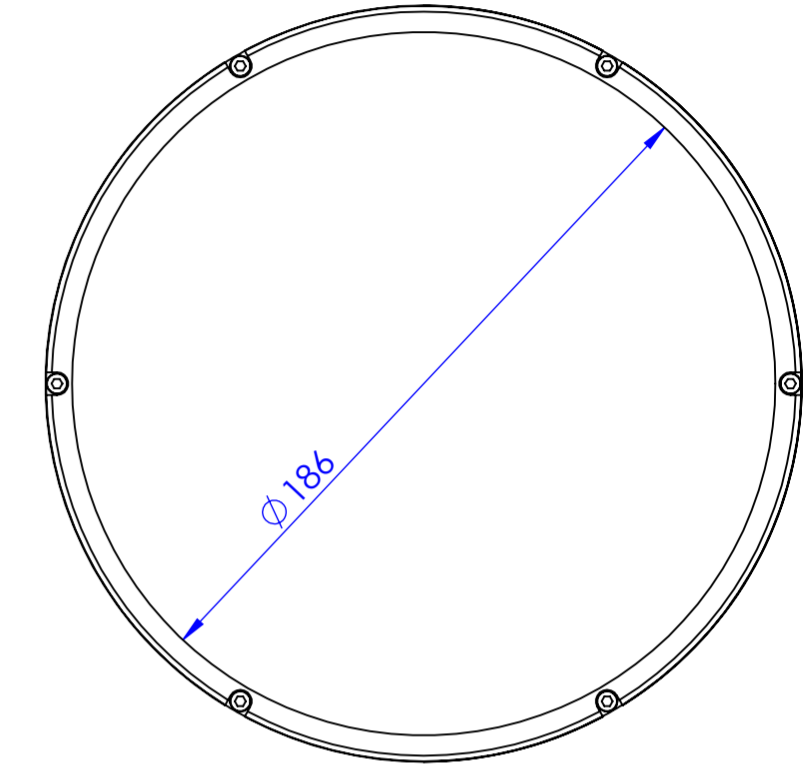
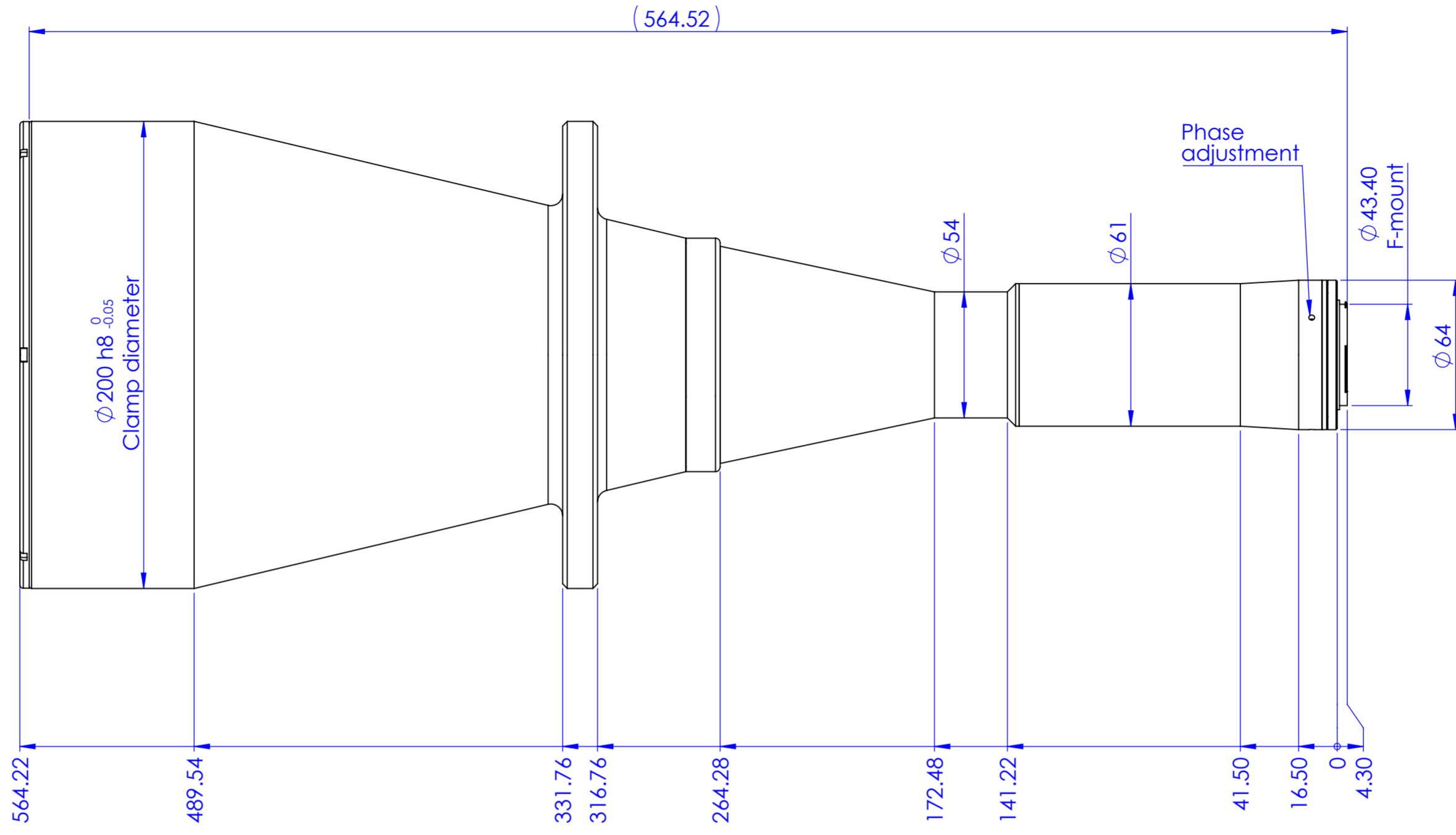
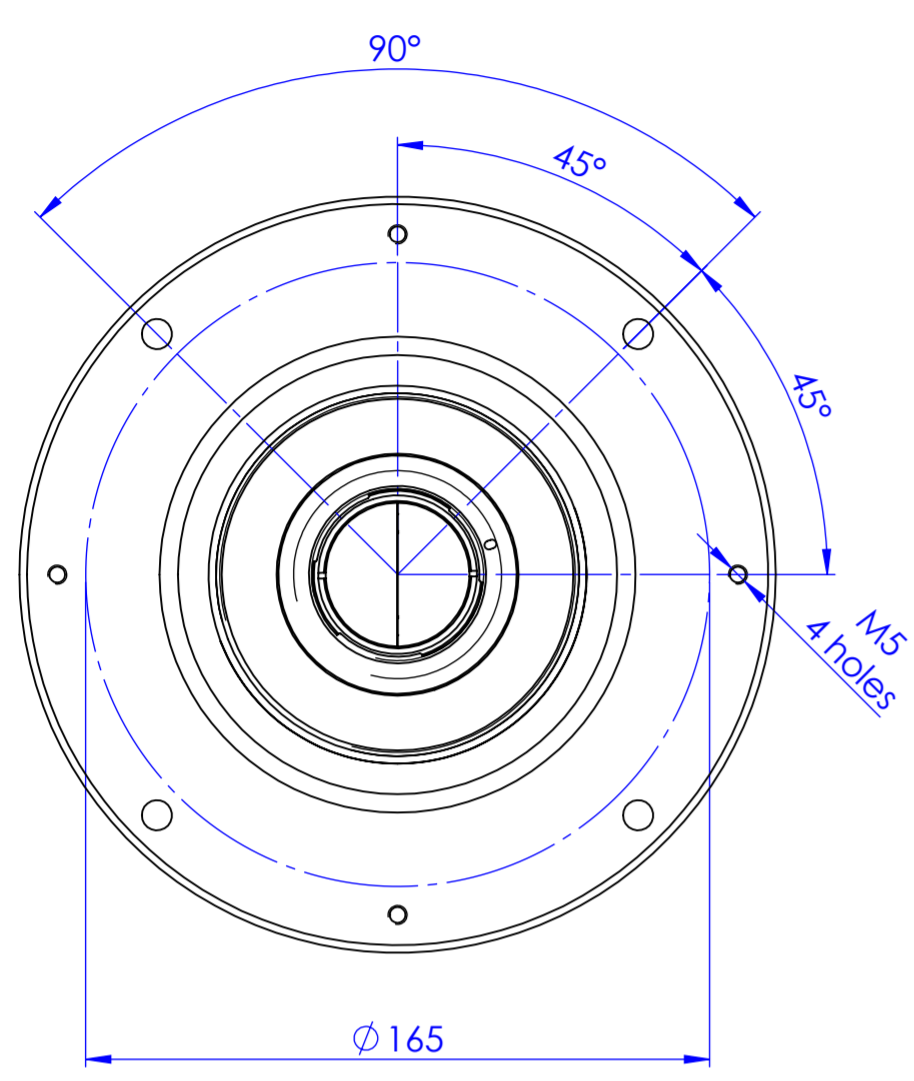


Rev No.	Description	Date	Name



Material	N.A.	Mass	g	Scale	1:2
Surface treatment	N.A.	Part No.	CO27915		
Geometrical tolerance (ISO 2768-2)	Class	K	Undimensioned bevels	0.5x45°	Description
Linear tolerance (ISO 2768-2)	Class	m	Undimensioned radii	R 0.5	TC12MHR144
0.5	>3+	>6+	>30+	>120	>400+
+3	6	30	120	+400	1000
±0.1	±0.1	±0.2	±0.3	±0.5	±0.8
					±1.2
					±2
	Date	Name	Drawing No.		
	Designed	28/06/2018	Ccharly	DP 27915-A	
	Drawn	27/09/2018	Rodella	Sheet	
	Checked	28/09/2018	Ccharly	1/1	
OPTO ENGINEERING S.r.l. - Mantova Italy - Tel. +39 0376 699111 - www.opto-engineering.com					
Secret and confidential - All rights reserved - No copy, dissemination or circulation is allowed unless specifically authorized in writing by OPTO ENGINEERING S.r.l. - Any violation shall be legally prosecuted.					