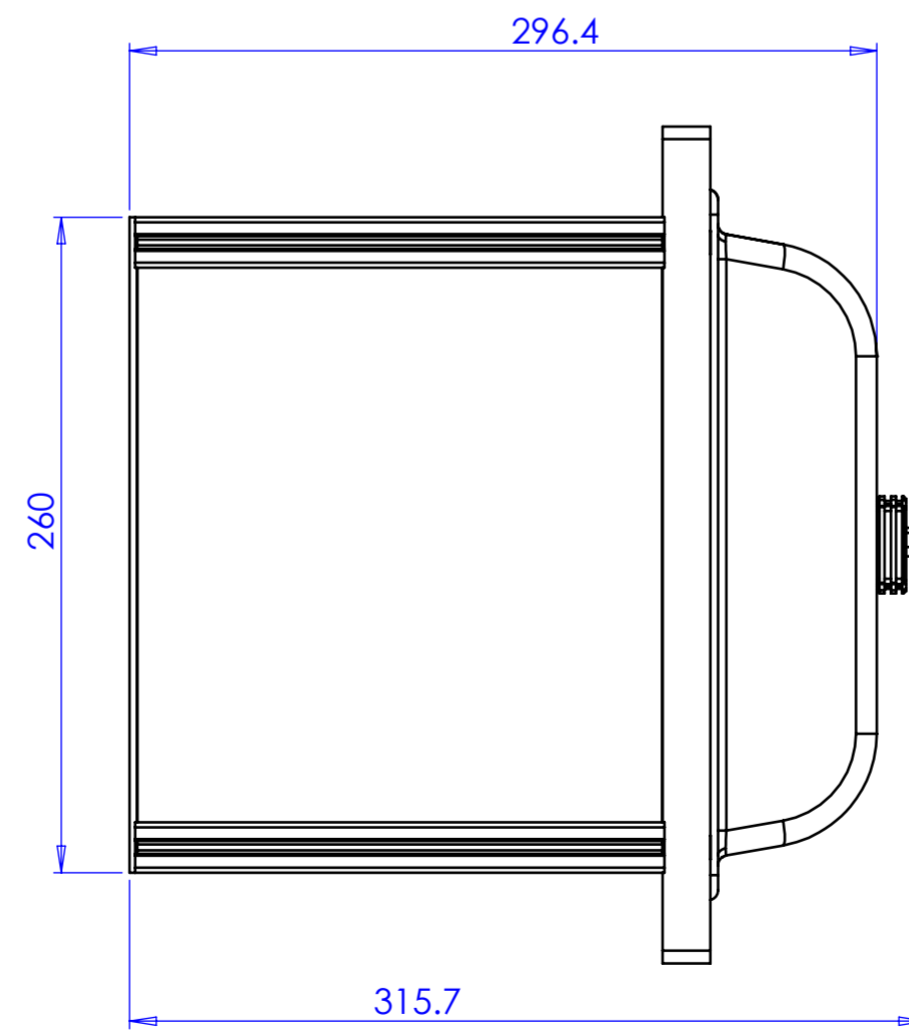
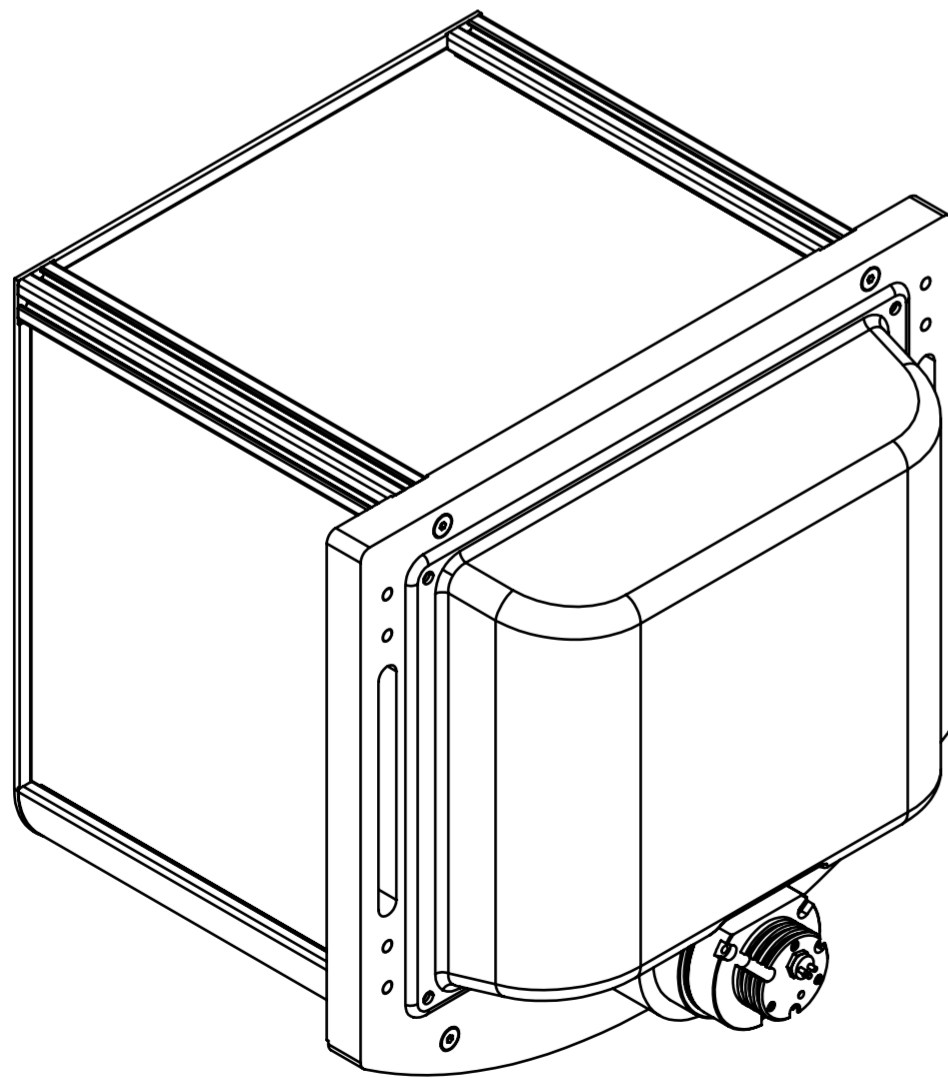
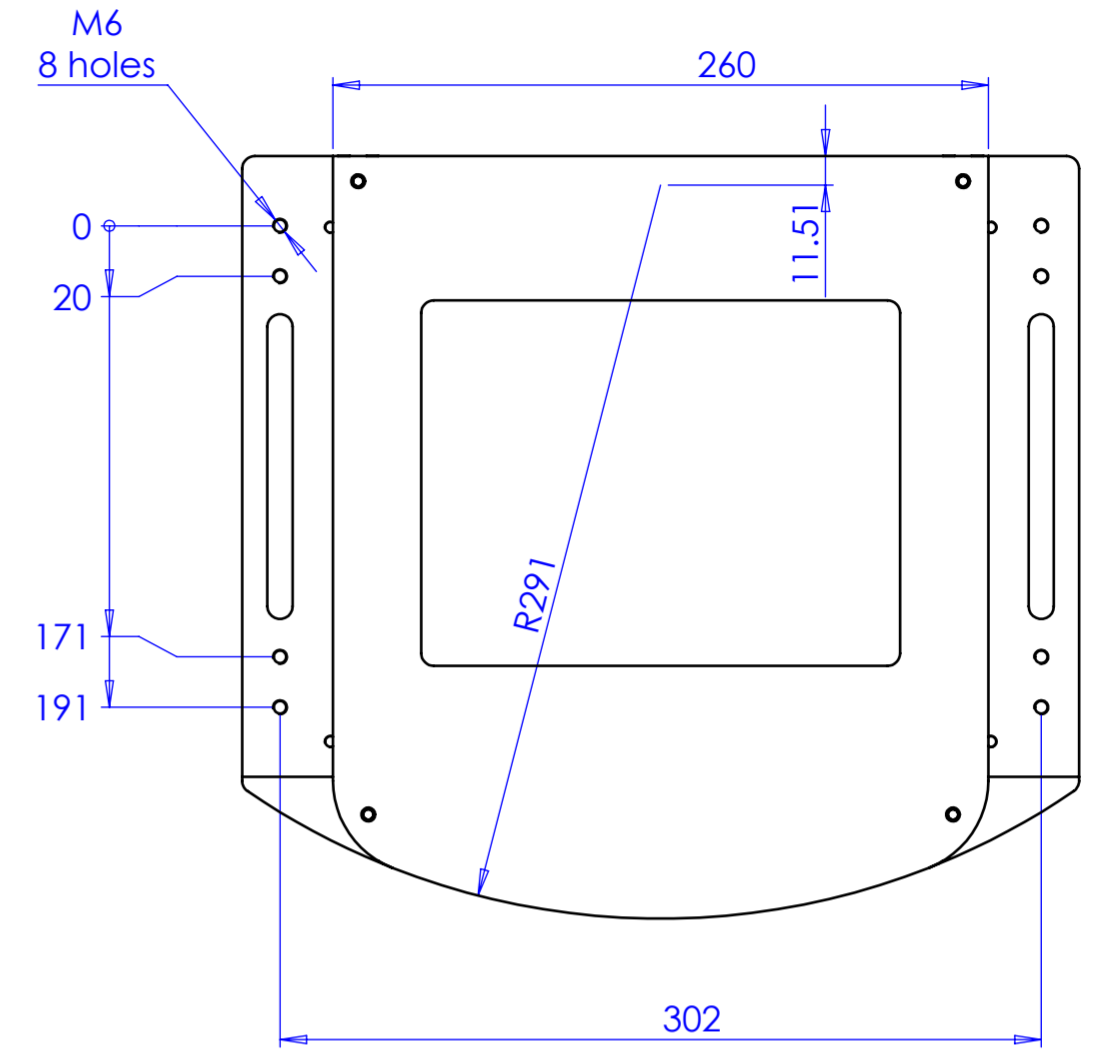
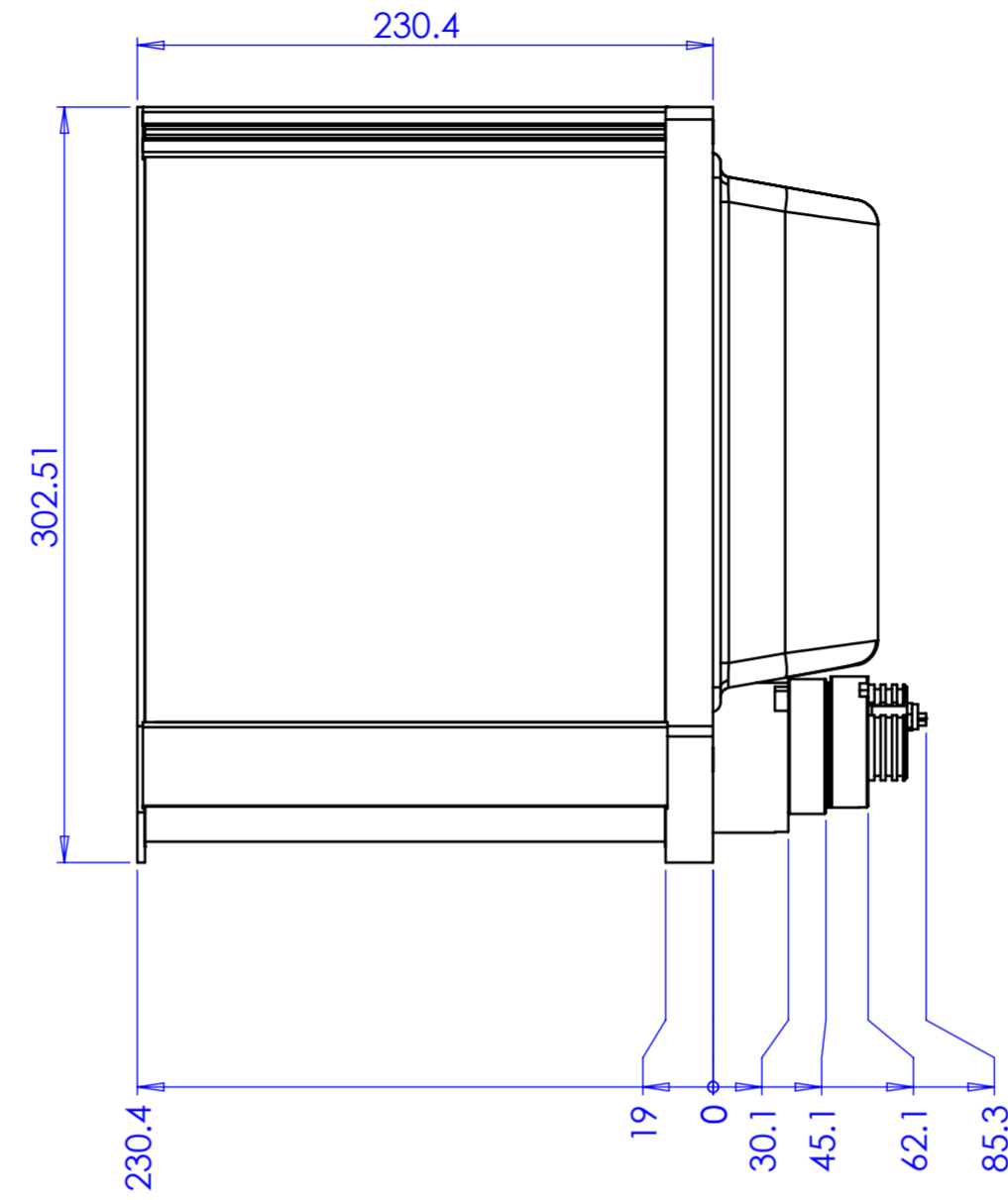
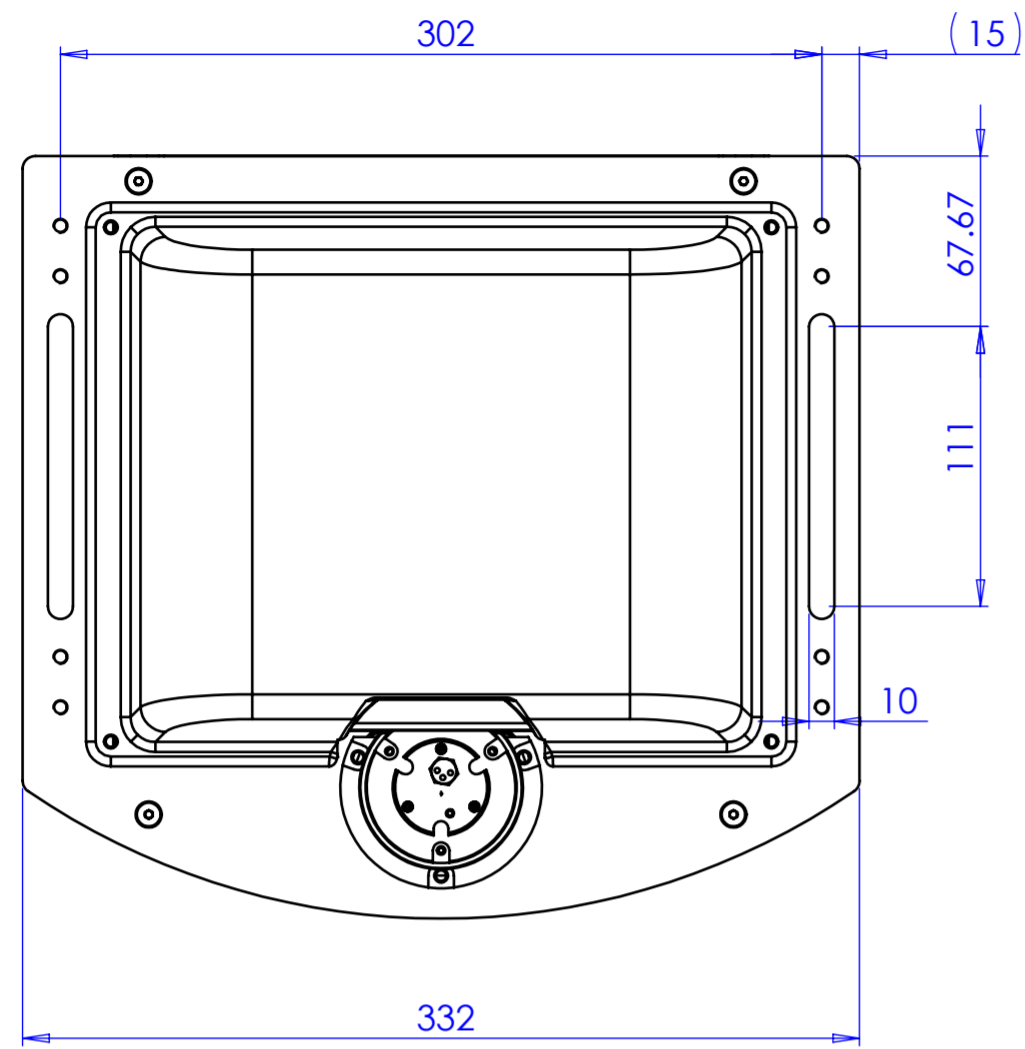


Rev No.	Description	Date	Name



Material	N.A.	Mass	g	Scale	1:3				
Surface treatment	N.A.	Part No.	CO27596						
Geometrical tolerance (ISO 2768-2)	Class	K	Undimensioned bevels	0.5x45°	Description				
Linear tolerance (ISO 2768-2)	Class	m	Undimensioned radii	R 0.5	LTCLCP144-G				
0.5	>3+	>6+	>30+	>120	>400+	>1000	>2000	>4000	Drawing No. DP 27596-A Sheet 1/1
+3	6	30	120	+400	1000	+2000	+4000		
±0.1	±0.1	±0.2	±0.3	±0.5	±0.8	±1.2	±2		
 OPTO ENGINEERING S.r.l. - Mantova Italy - Tel. +39 0376 699111 - www.opto-engineering.com	Designed	24/05/2018	Ccharly	Date	Name				
	Drawn	12/07/2018	newbie1						
	Checked								

all dimensions are in mm

Secret and confidential - All rights reserved - No copy, dissemination or circulation is allowed unless specifically authorized in writing by OPTO ENGINEERING S.r.l. - Any violation shall be legally prosecuted.