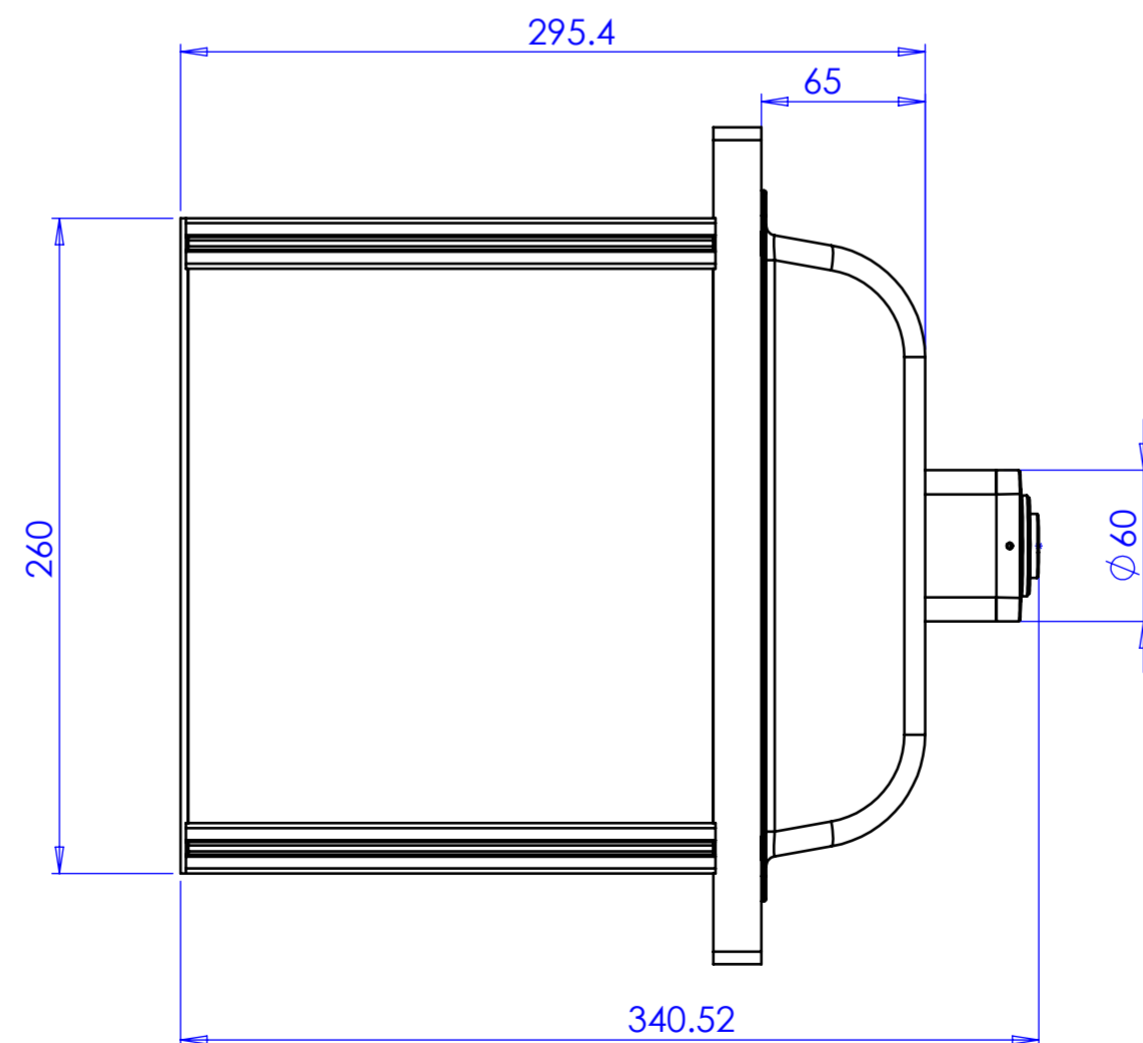
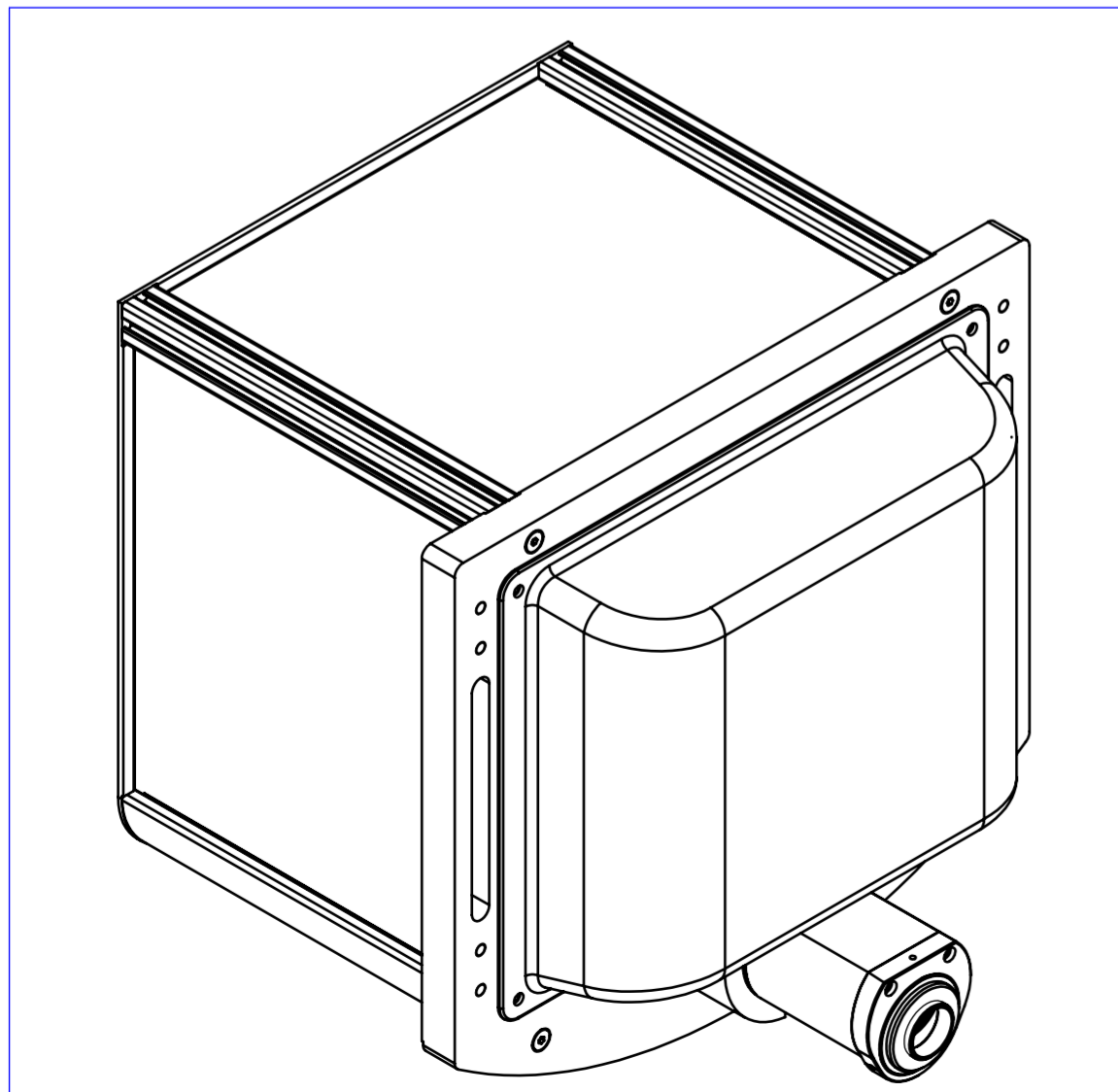
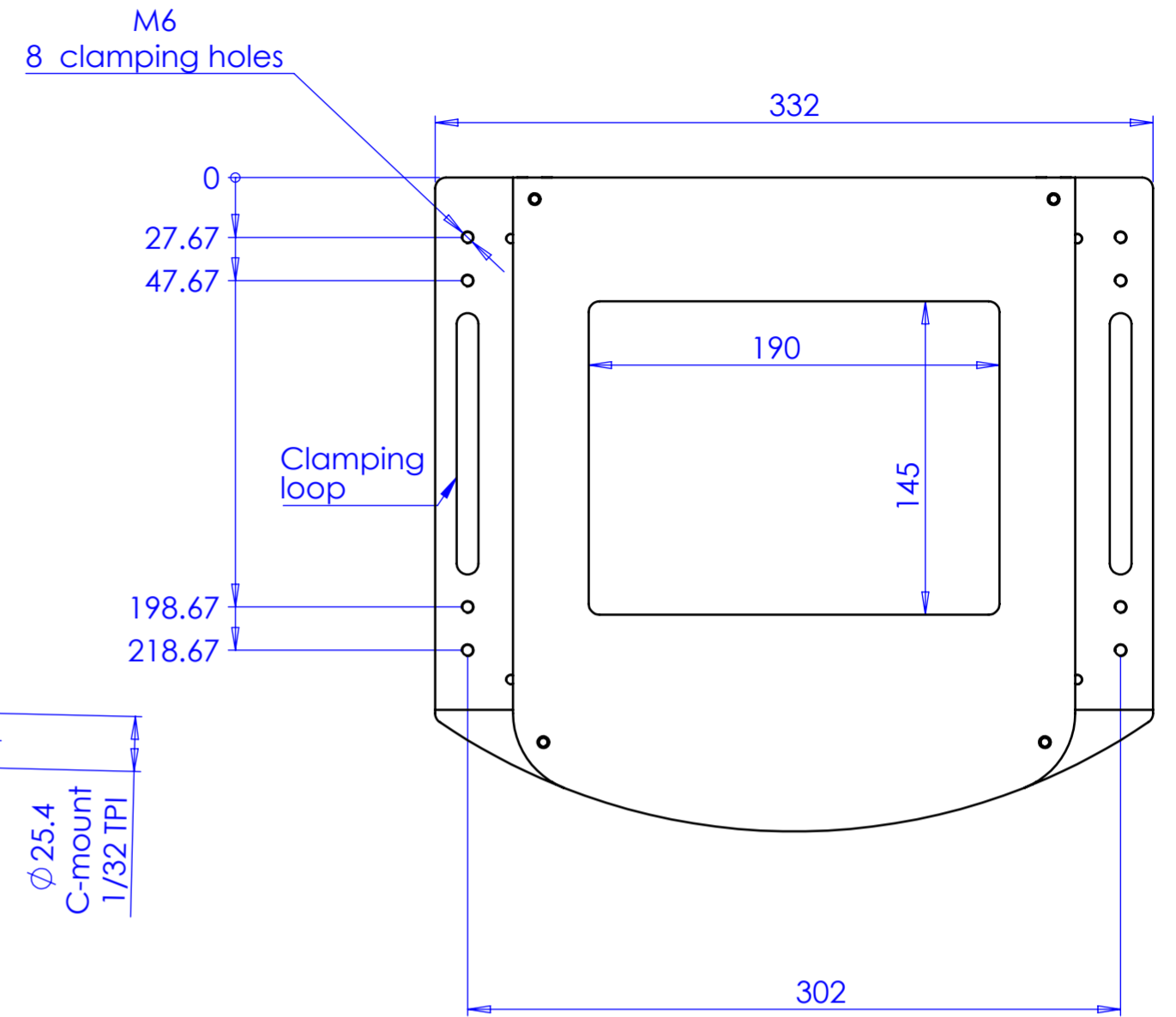
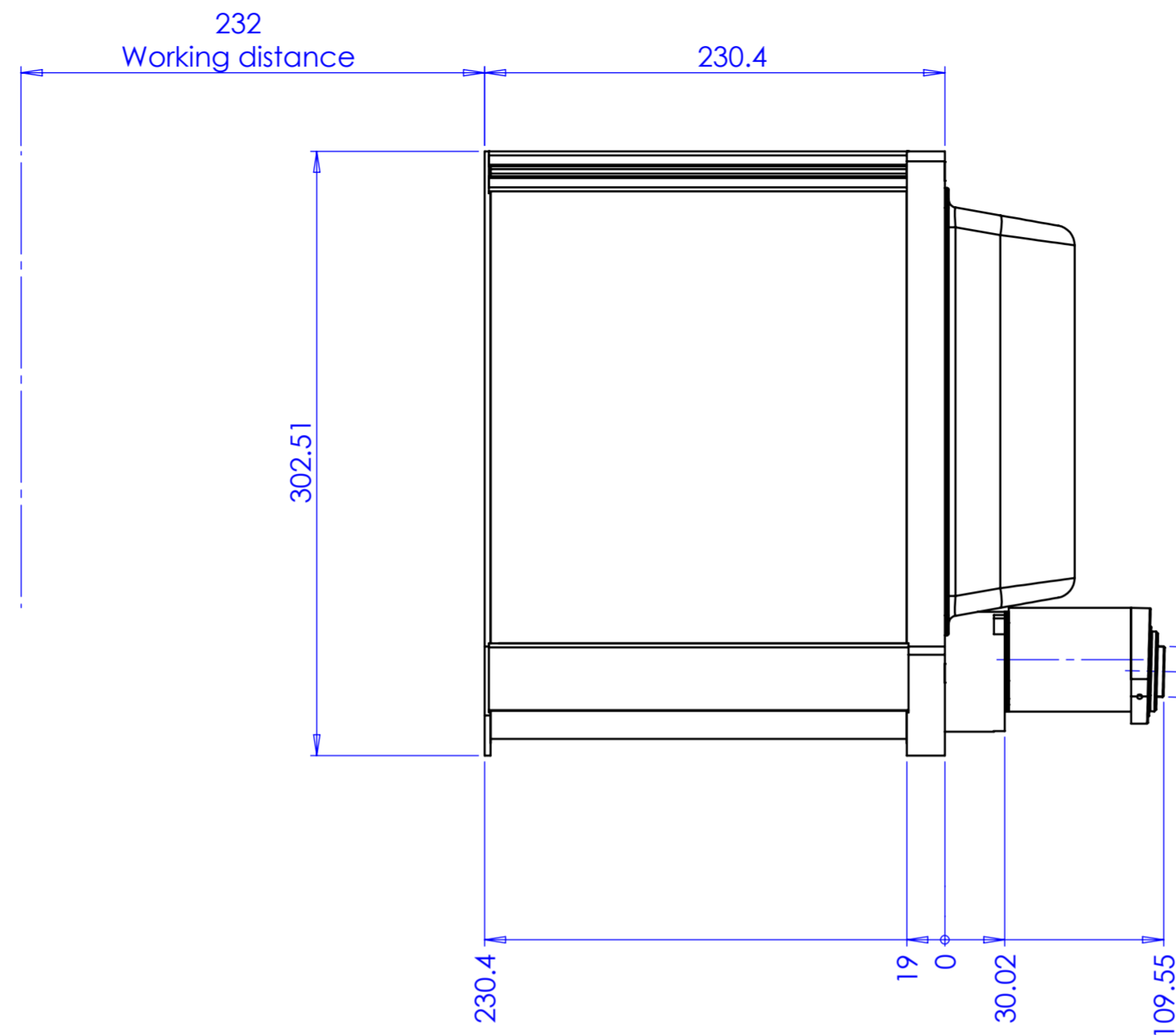
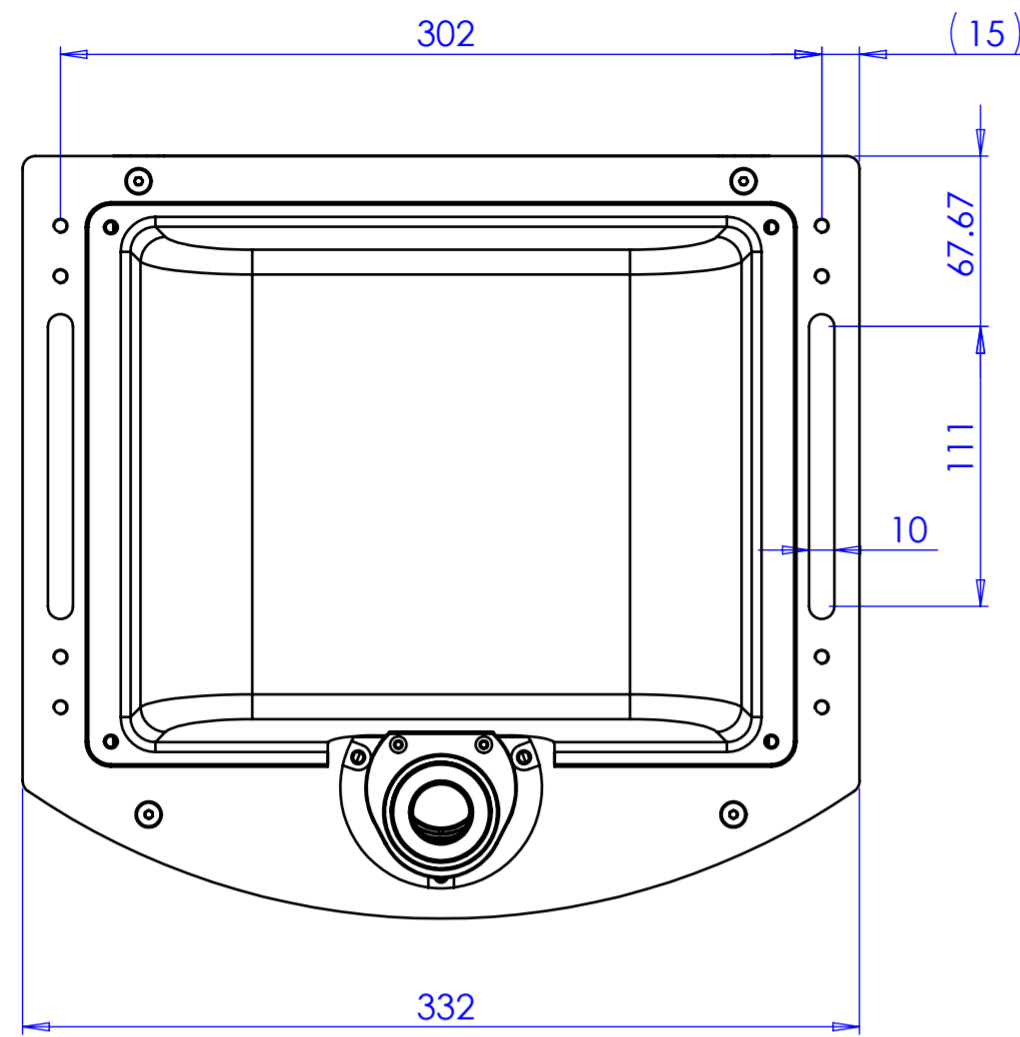


FOR MISSING DIMENSIONS SEE DW27589-A.STEP

Rev No.	Description	Date	Name



Material	N.A.	Mass	g	Scale	1:3		
Surface treatment	N.A.	Part No.	CO27589				
Geometrical tolerance (ISO 2768-2)	Class	K	Undimensioned bevels	0.5x45°	Description		
Linear tolerance (ISO 2768-2)	Class	m	Undimensioned radii	R 0.5	TCCP3MHR144-C		
0.5	>3+	>6+	>30+	>120	>400+	>1000	>2000
+3	6	30	120	+400	1000	+2000	+4000
±0.1	±0.1	±0.2	±0.3	±0.5	±0.8	±1.2	±2
	Date	Name	Drawing No.				
	Designed	24/05/2018	Ccharly	DP 27589-A			
	Drawn	12/07/2018	newbie1	Sheet			
Checked			1/1				
OPTO ENGINEERING S.r.l. - Mantova Italy - Tel. +39 0376 699111 - www.opto-engineering.com							

Secret and confidential - All rights reserved - No copy, dissemination or circulation is allowed unless specifically authorized in writing by OPTO ENGINEERING S.r.l. - Any violation shall be legally prosecuted.