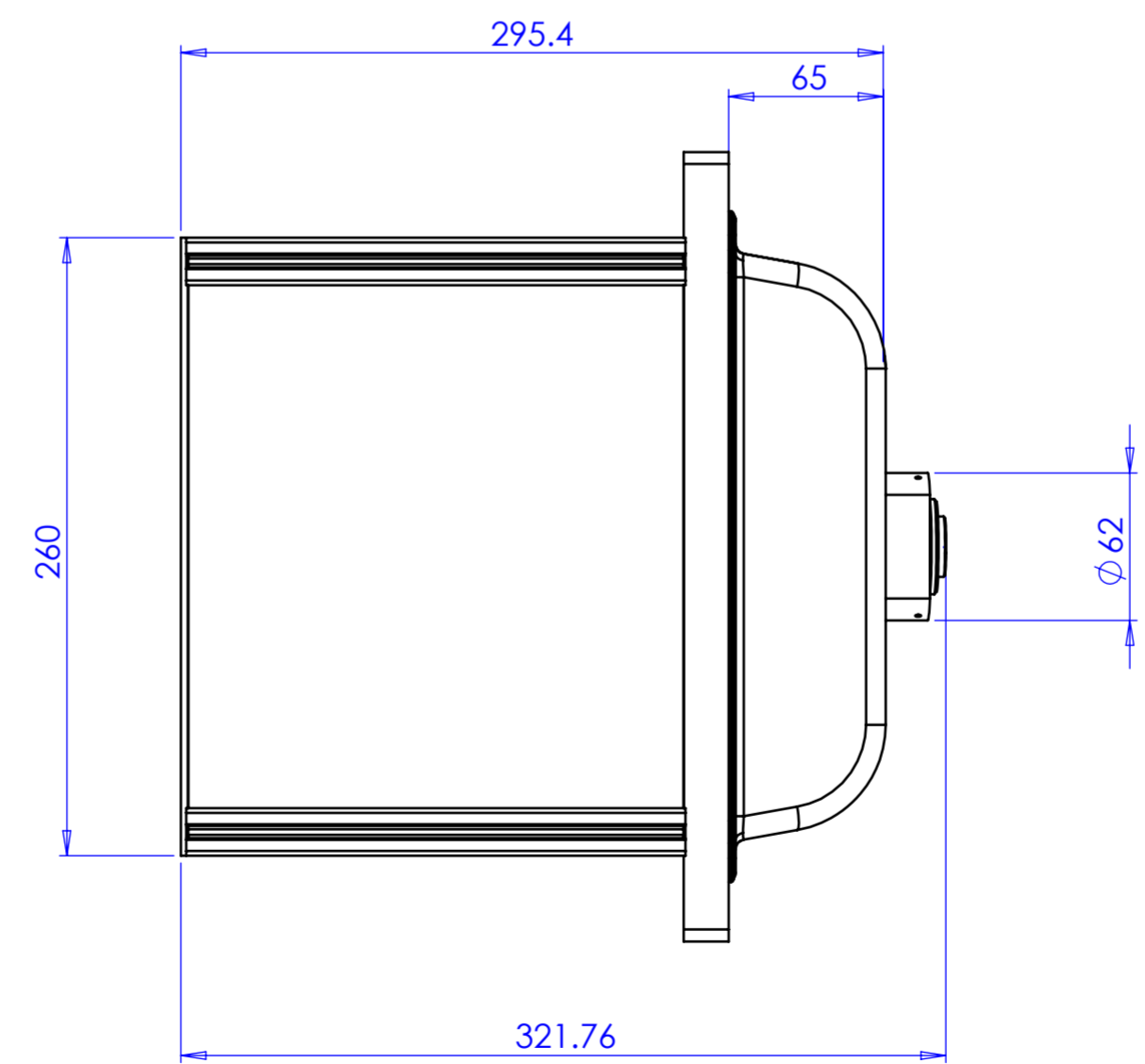
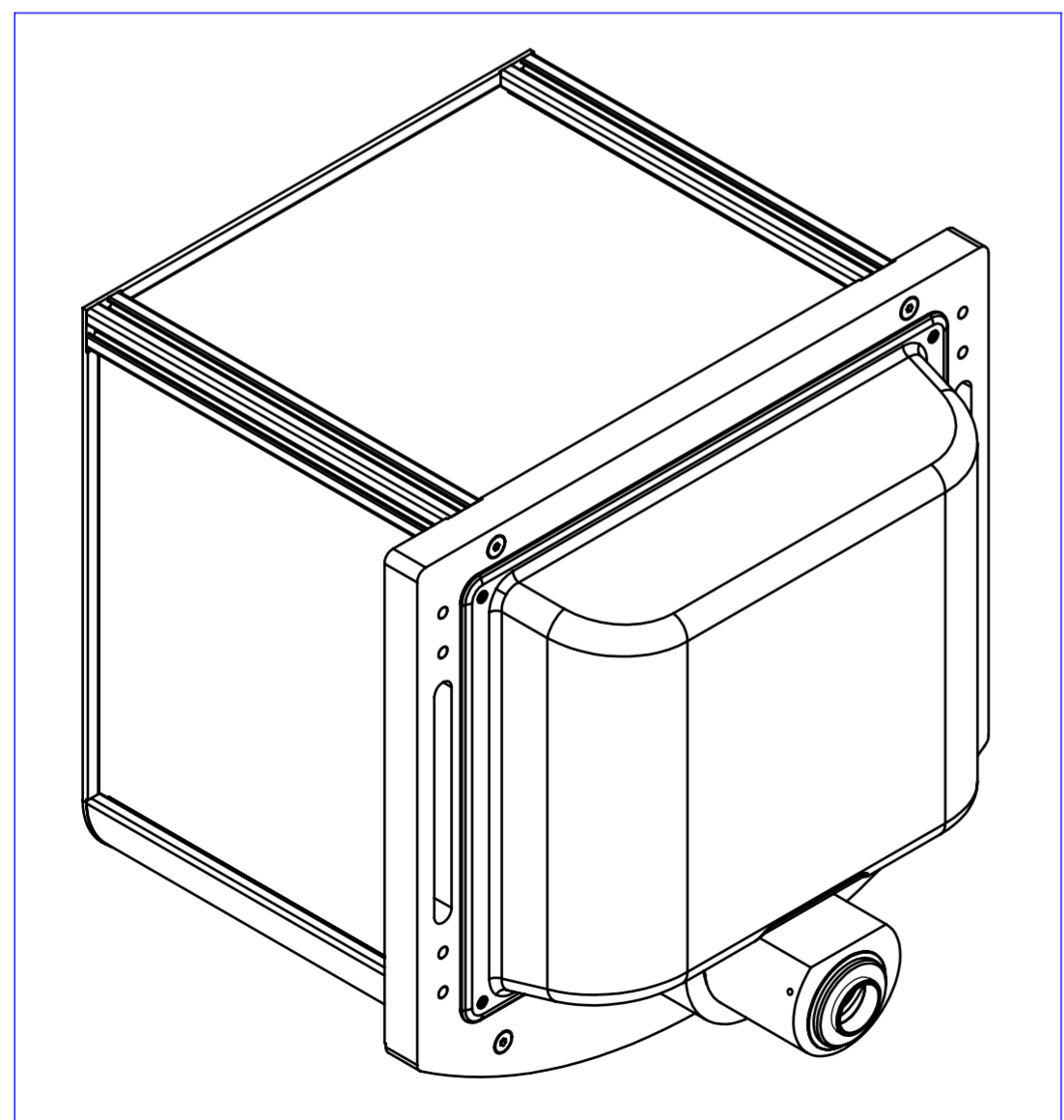
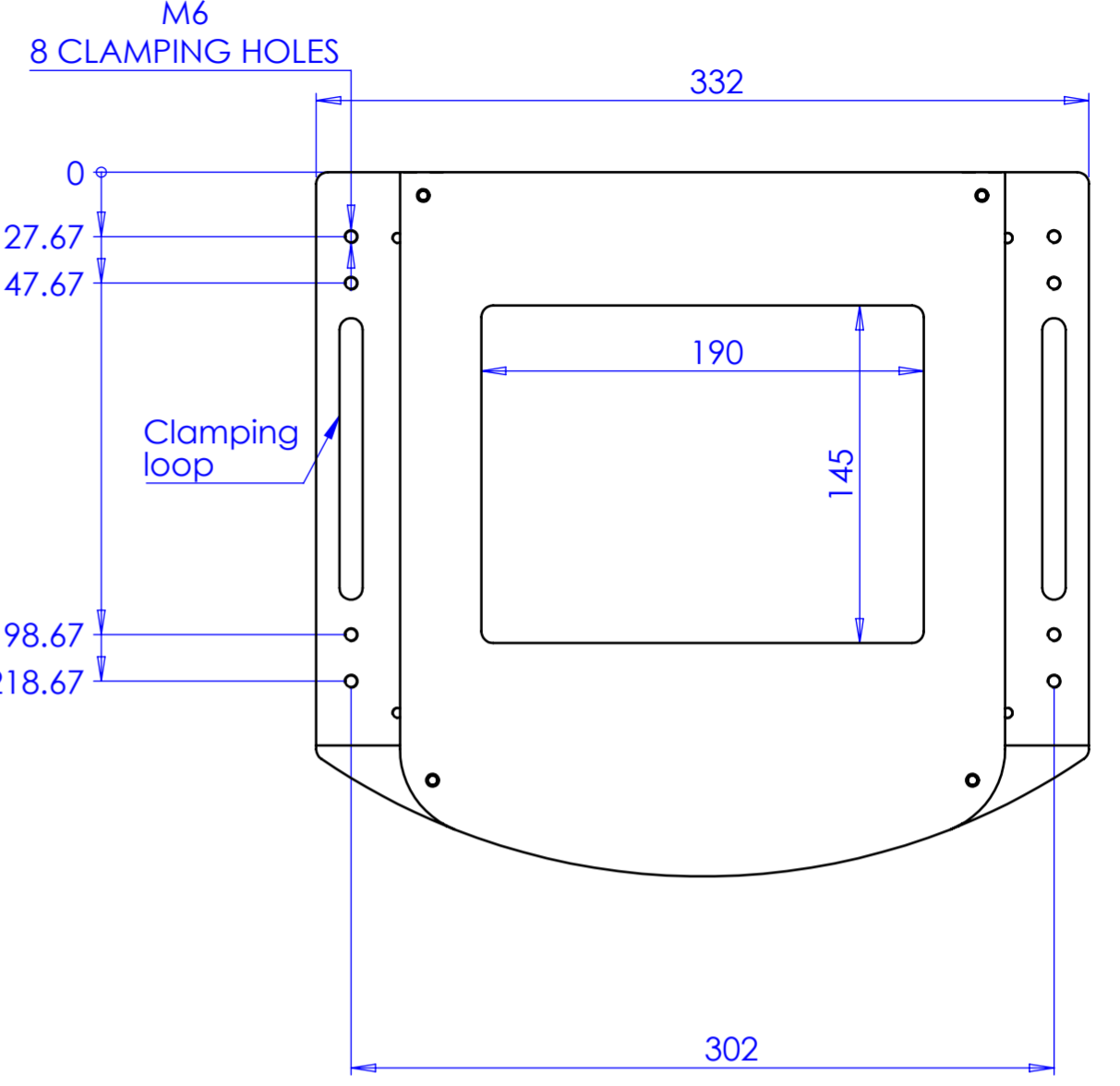
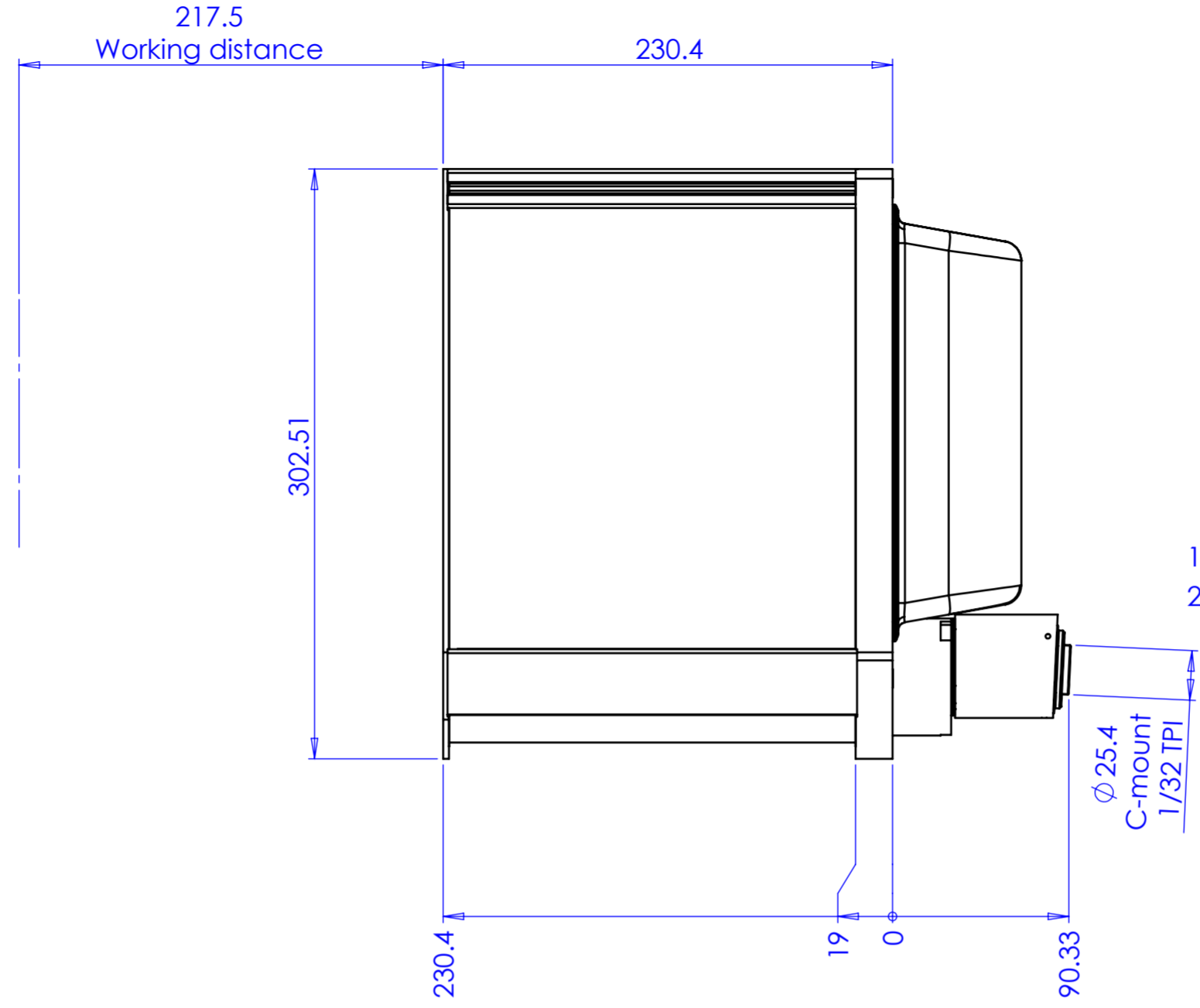
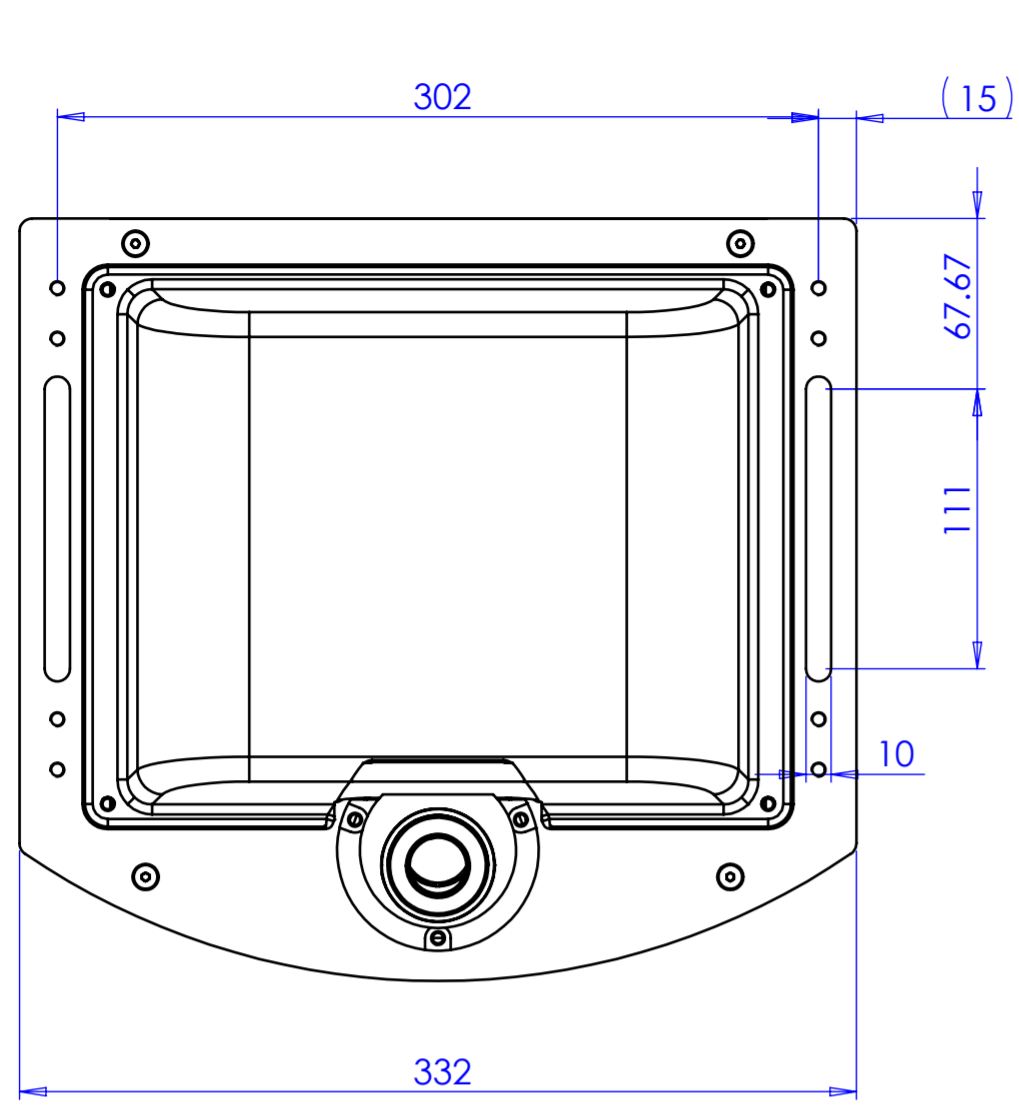


Rev No.	Description	Date	Name



Material	N.A.	Mass	g	Scale	1:3					
Surface treatment	N.A.	Part No.	CO27588							
Geometrical tolerance (ISO 2768-2)	Class	K	Undimensioned bevels	0.5x45°	Description					
Linear tolerance (ISO 2768-2)	Class	m	Undimensioned radii	R 0.5	TCCP23144					
0.5	>3+	>6+	>30+	>120	>400+	>1000	>2000	>4000	Drawing No. <b>DP 27588-A</b>	Sheet <b>1/1</b>
+3	6	30	120	+400	1000	+2000	+4000			
±0.1	±0.1	±0.2	±0.3	±0.5	±0.8	±1.2	±2			
		Date	Name		Drawing No. <b>DP 27588-A</b>	Sheet <b>1/1</b>				
Designed 24/05/2018 Drawn 12/07/2018 Checked		24/05/2018	Ccharly newbie1							
OPTO ENGINEERING S.r.l. - Mantova Italy - Tel. +39 0376 699111 - www.opto-engineering.com										

Secret and confidential - All rights reserved -  
 No copy, dissemination or circulation is allowed unless  
 specifically authorized in writing by OPTO ENGINEERING  
 S.r.l. - Any violation shall be legally prosecuted.