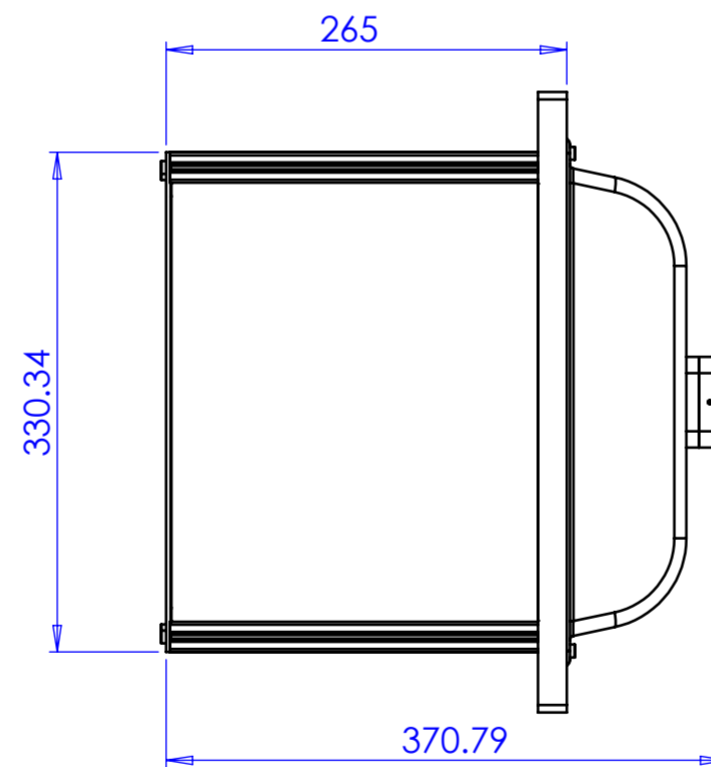
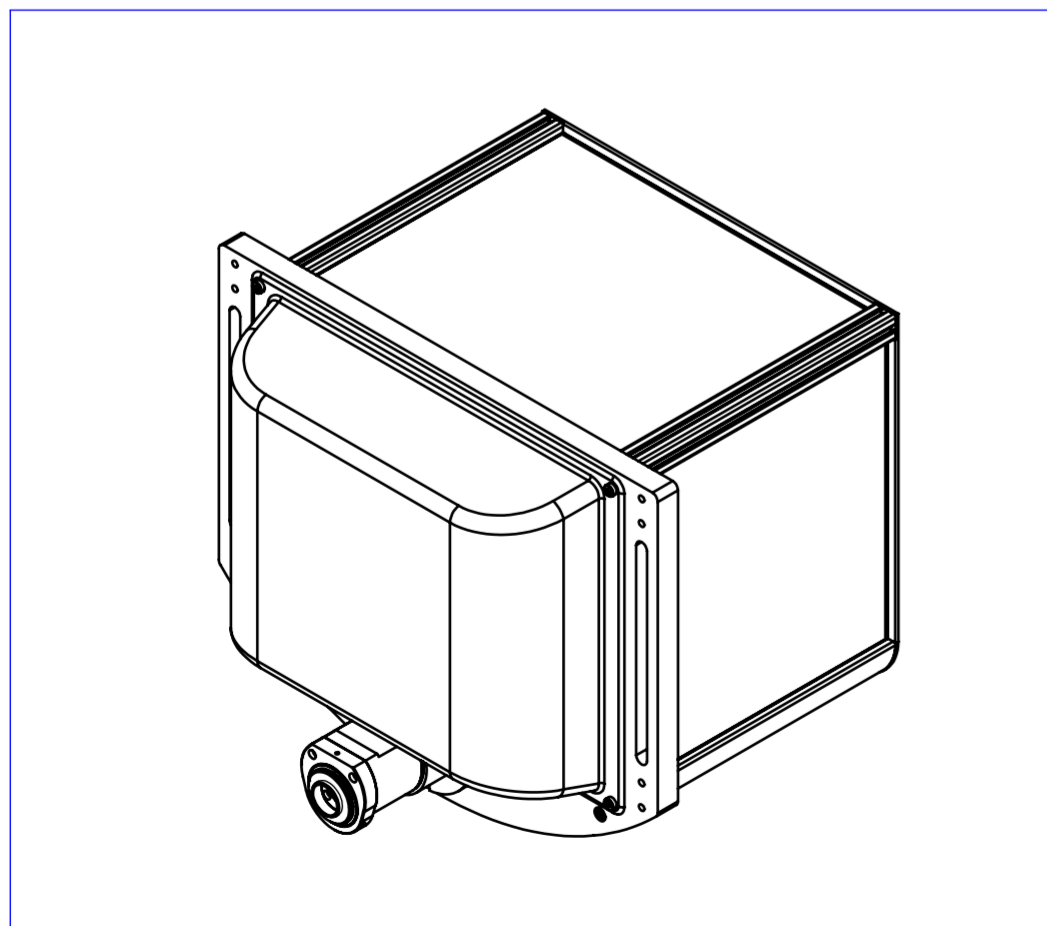
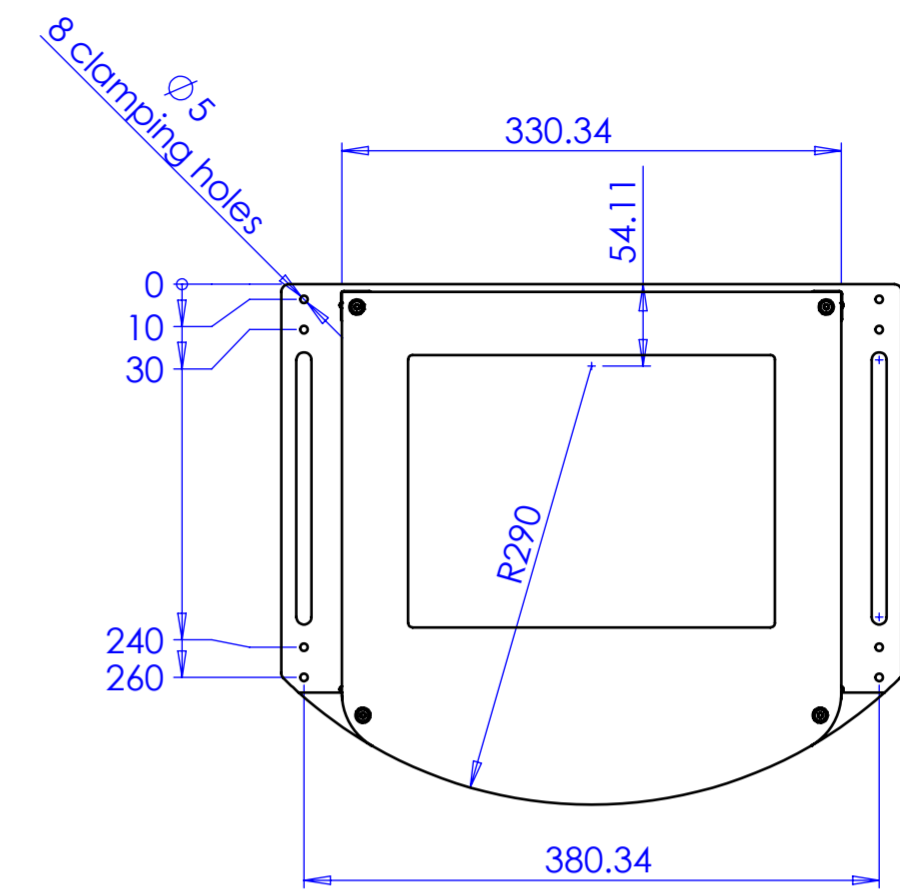
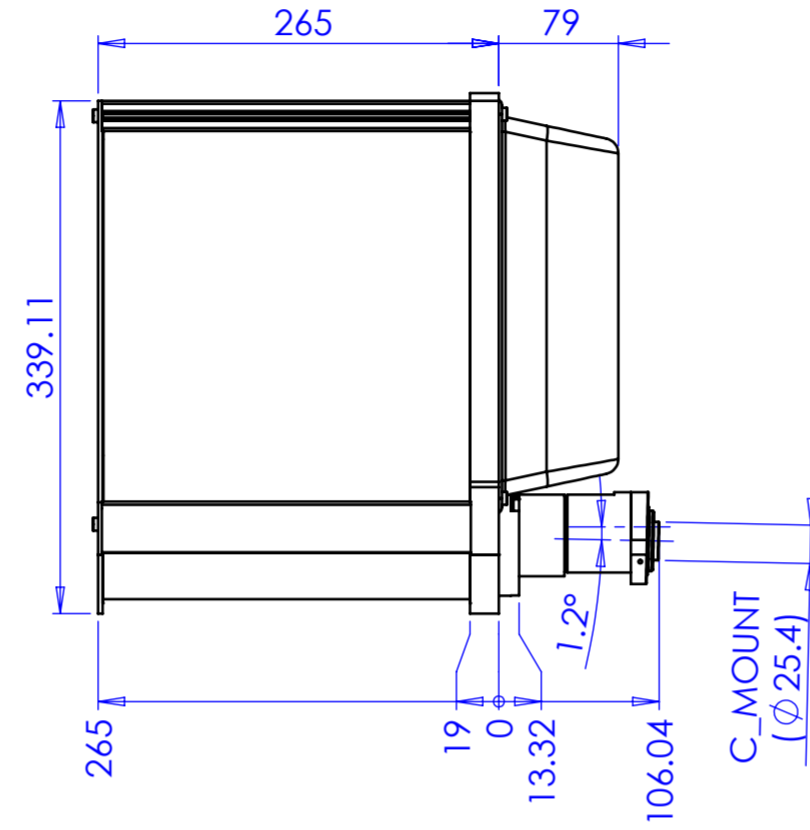
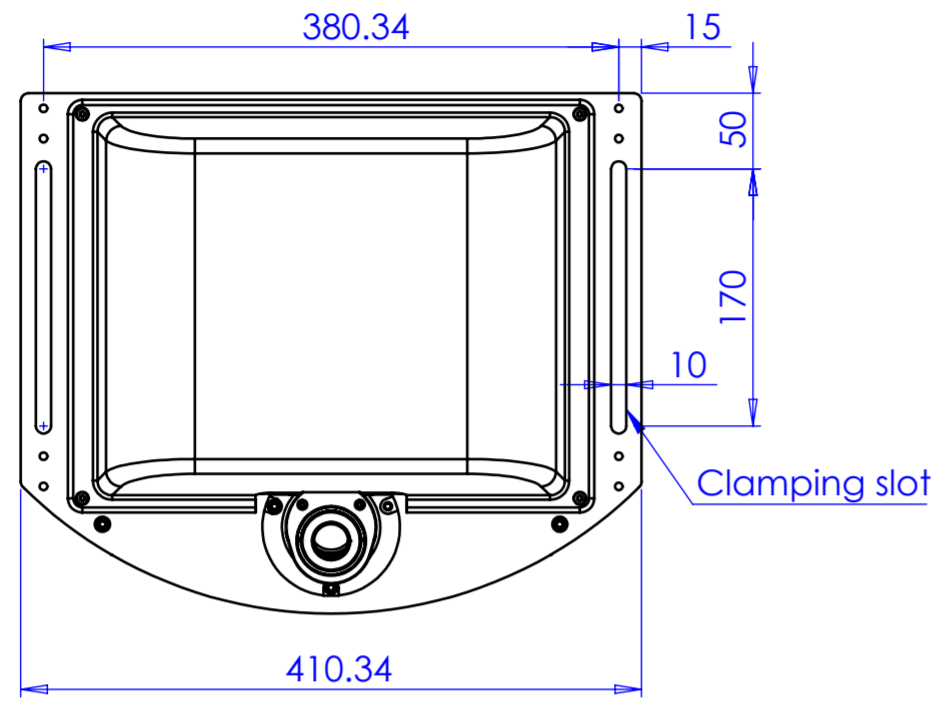


FOR MISSING DIMENSIONS SEE DW27532-A.STEP

Rev No.	Description	Date	Name



Material	N.A.	Mass	g	Scale	1:5
Surface treatment	N.A.	Part No.	CO27532		
Geometrical tolerance (ISO 2768-2)		Class	K	Undimensioned bevels	0.5x45°
Linear tolerance (ISO 2768-2)		Class	m	Undimensioned radii	R 0.5
0.5	>3+	>6+	>30+	>120	>400+
+3	6	30	120	+400	1000
±0.1	±0.1	±0.2	±0.3	±0.5	±0.8
					±1.2
					±2
Description		TCCP3MHR192			
Drawing No.		DP 27532-A			
Designed		Vasconetto			
Drawn		12/07/2018 newbie1			
Checked					
Date					
Name					
Sheet		1/1			

all dimensions are in mm



OPTO ENGINEERING S.r.l. - Mantova Italy - Tel. +39 0376 699111 - www.opto-engineering.com

Secret and confidential - All rights reserved - No copy, dissemination or circulation is allowed unless specifically authorized in writing by OPTO ENGINEERING S.r.l. - Any violation shall be legally prosecuted.