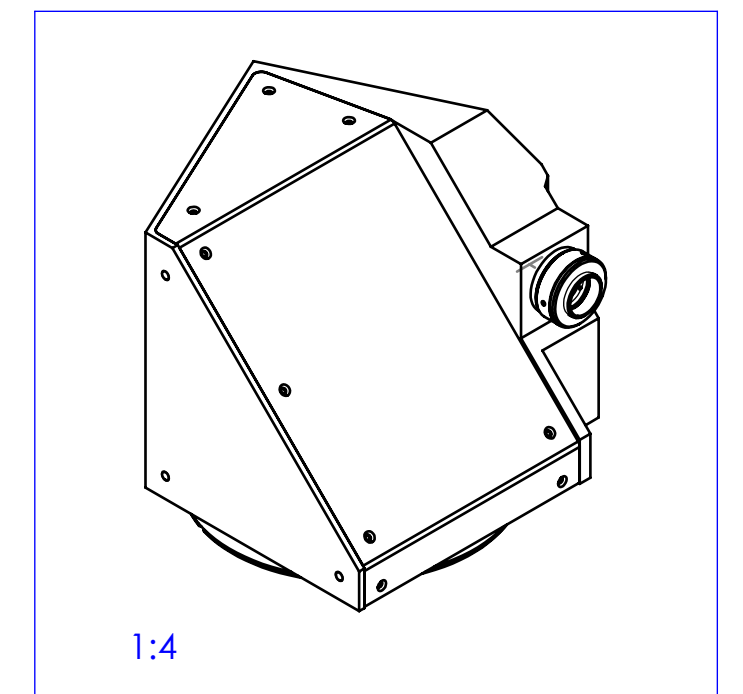
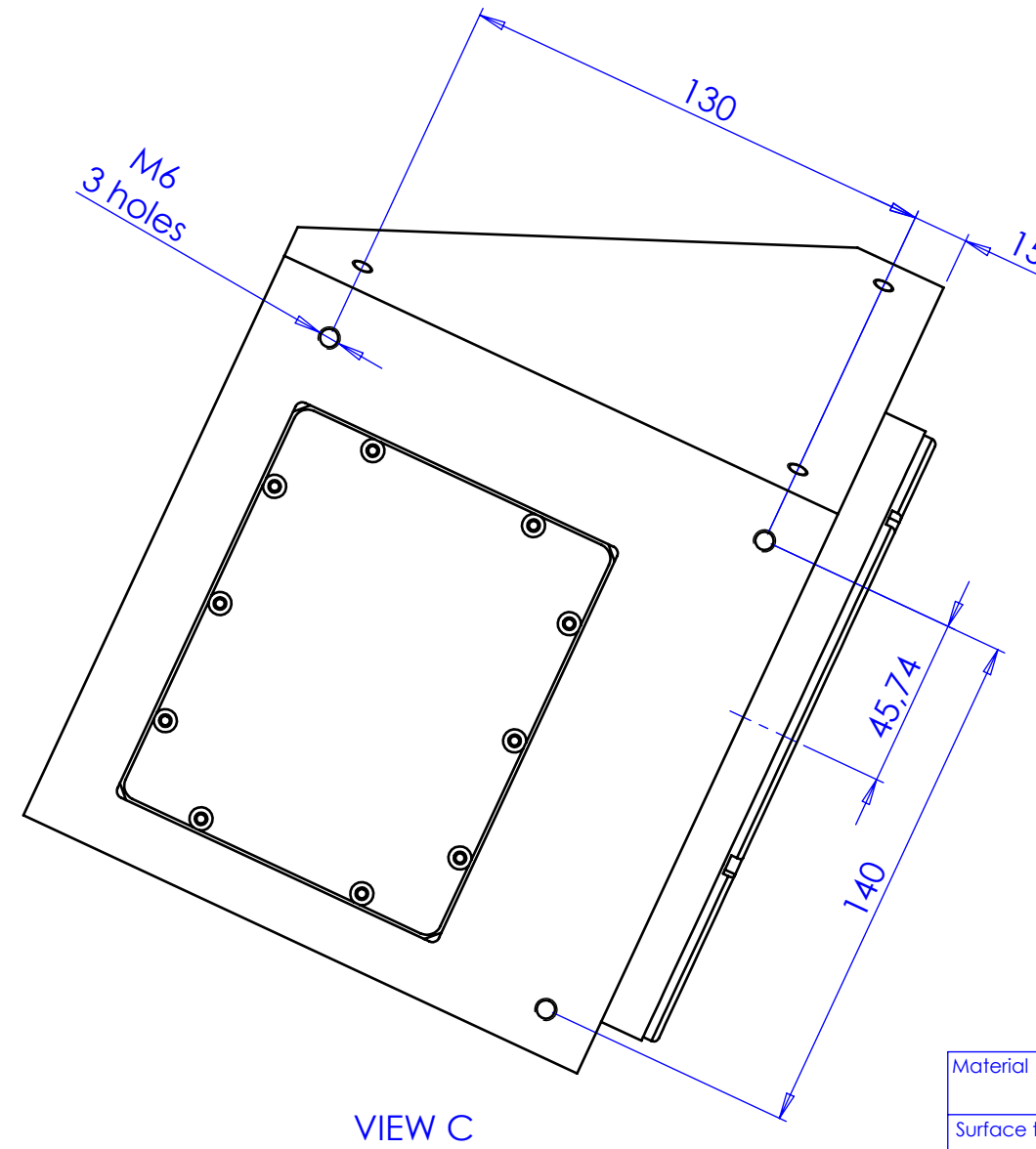
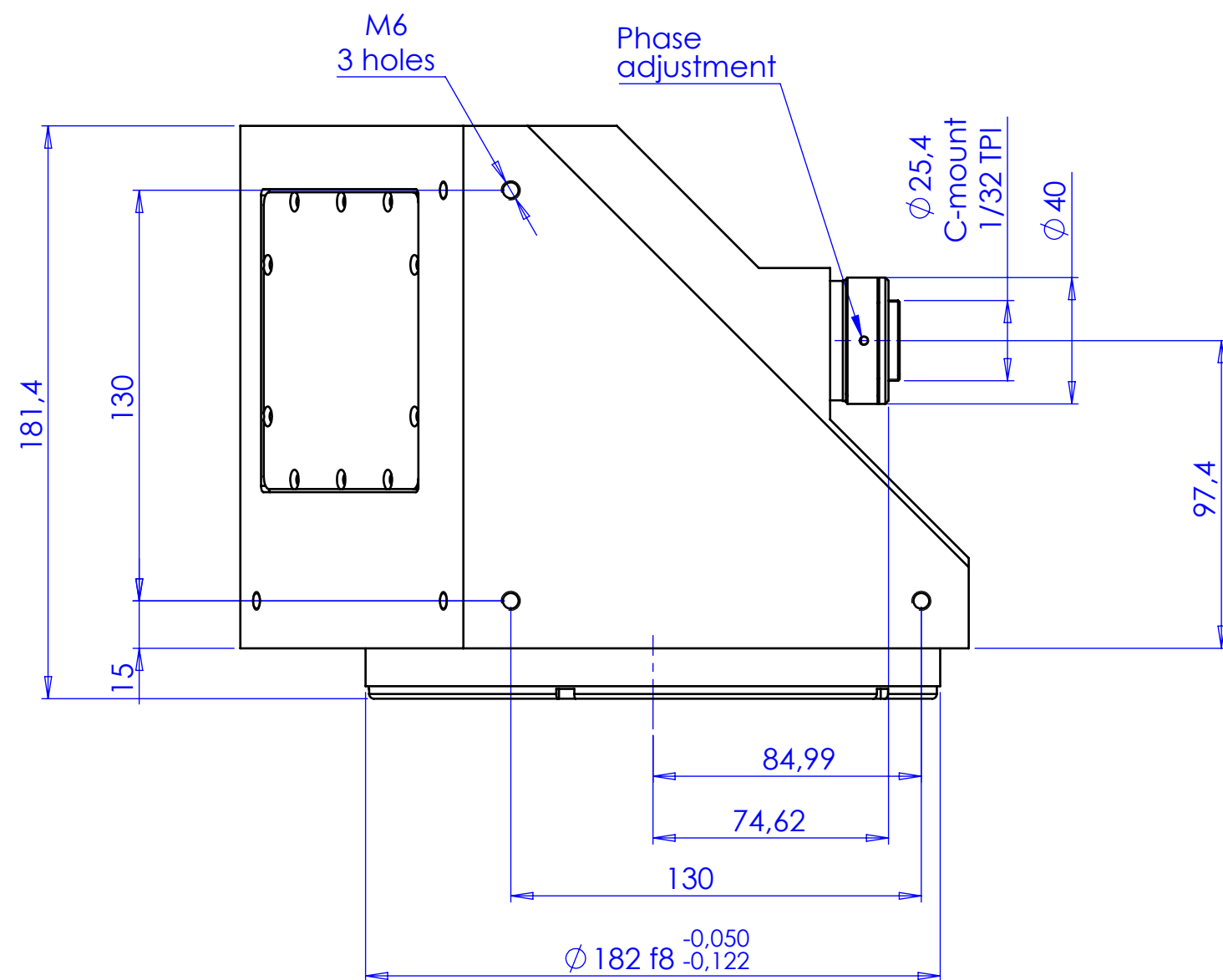
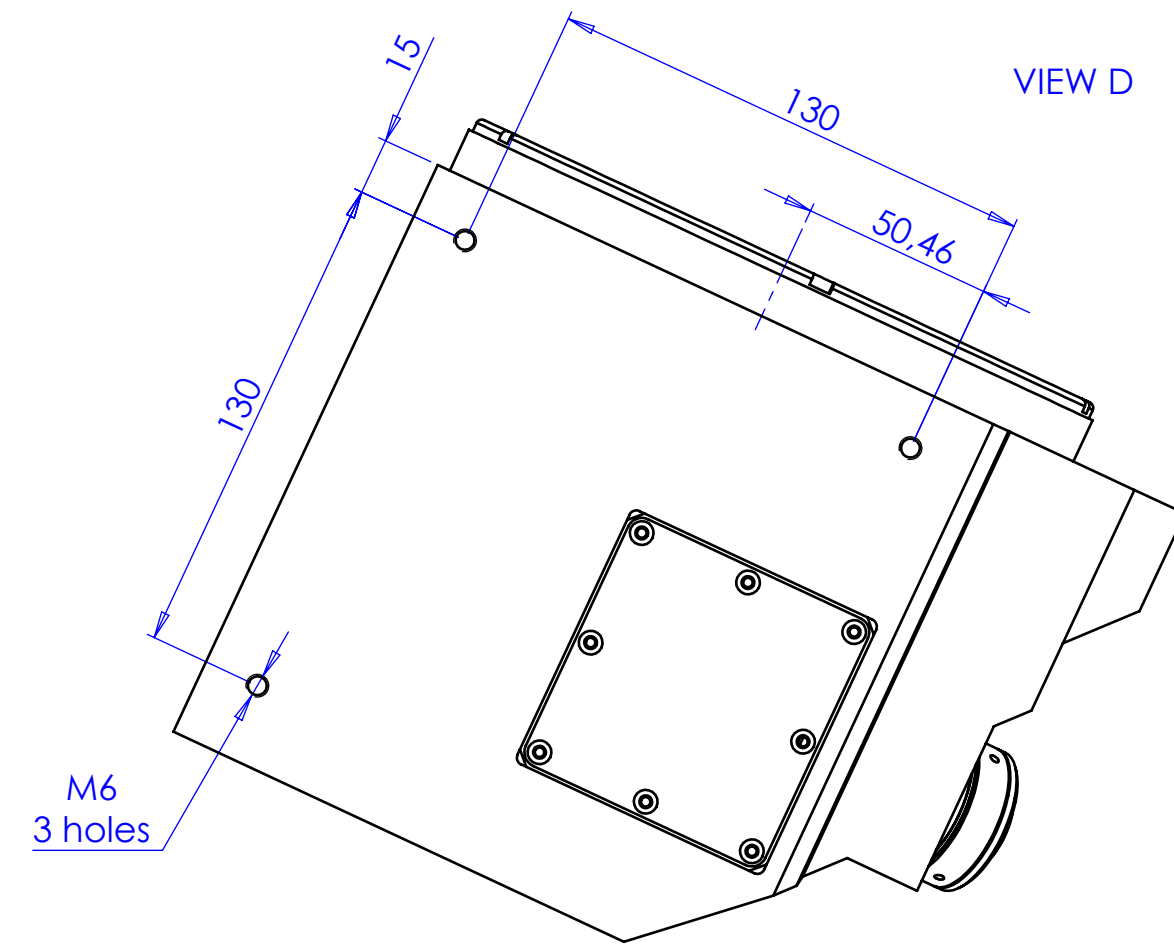
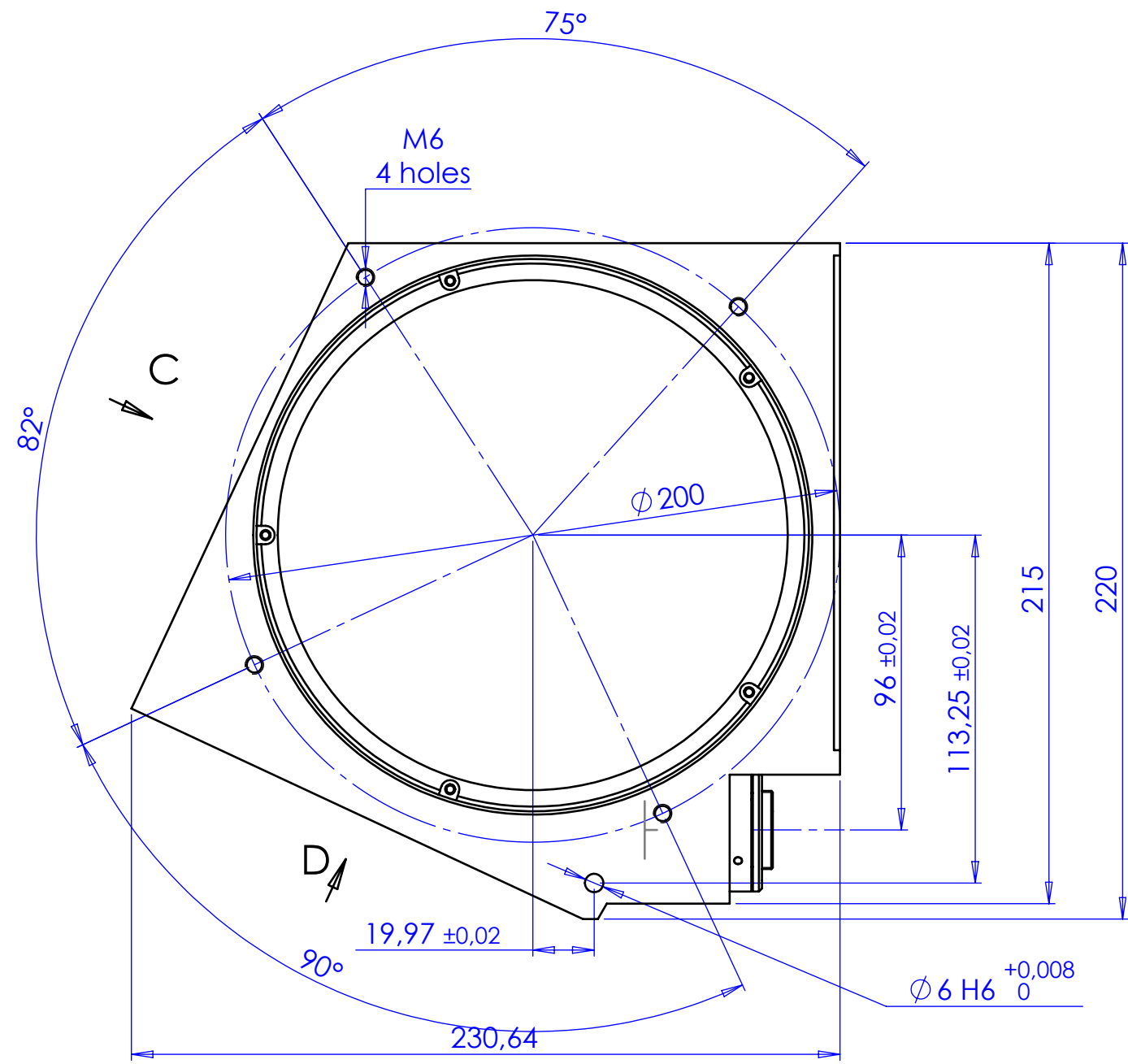


Rev No.	Description	Date	Name



Material	N.A.	Mass	9703 g	Scale	1:2
Surface treatment	N.A.	Part No.	CO27362	Description	
Geometrical tolerance (ISO 2768-2)		Class	K	Undimensioned bevels	0.5x45°
Linear tolerance (ISO 2768-2)		Class	m	Undimensioned radii	R 0.5
0.5	>3+	>6+	>30+	>120	>400+
+3	6	30	120	+400	1000
+0.1	+0.1	+0.2	+0.3	+0.5	+0.8
					+1.2
					+2
Date		Name		Drawing No.	
Designed 14/03/2017		Vasconetto		DP 27362-A	
Drawn 17/04/2018		Rodella		Sheet	
Checked				1/1	
<p>OPTO ENGINEERING S.r.l. - Mantova Italy - Tel. +39 0376 699111 - www.opto-engineering.com</p> <p>Secret and confidential - All rights reserved - No copy, dissemination or circulation is allowed unless specifically authorized in writing by OPTO ENGINEERING S.r.l. - Any violation shall be legally prosecuted.</p>					