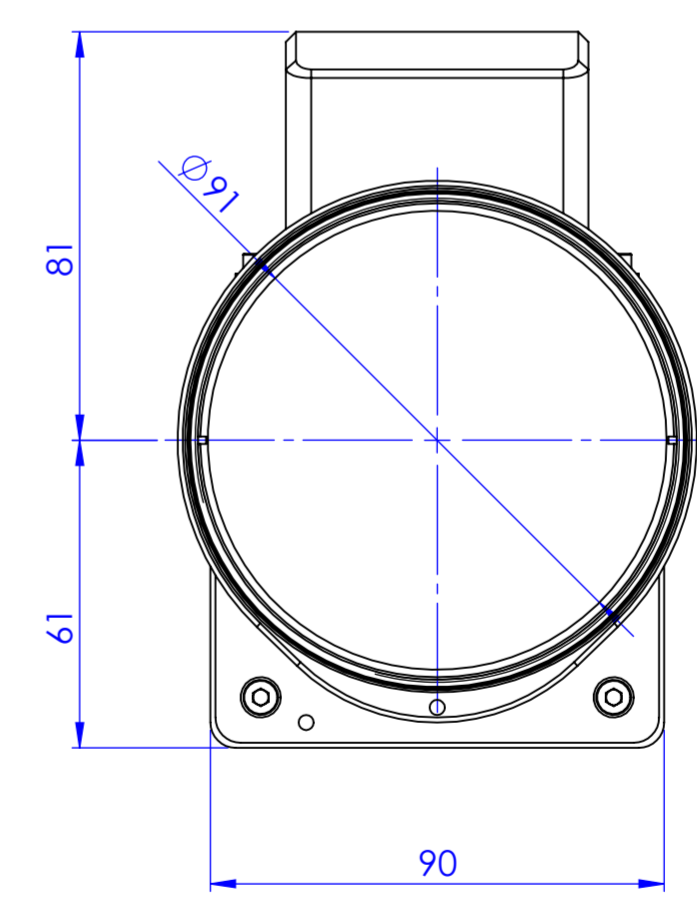
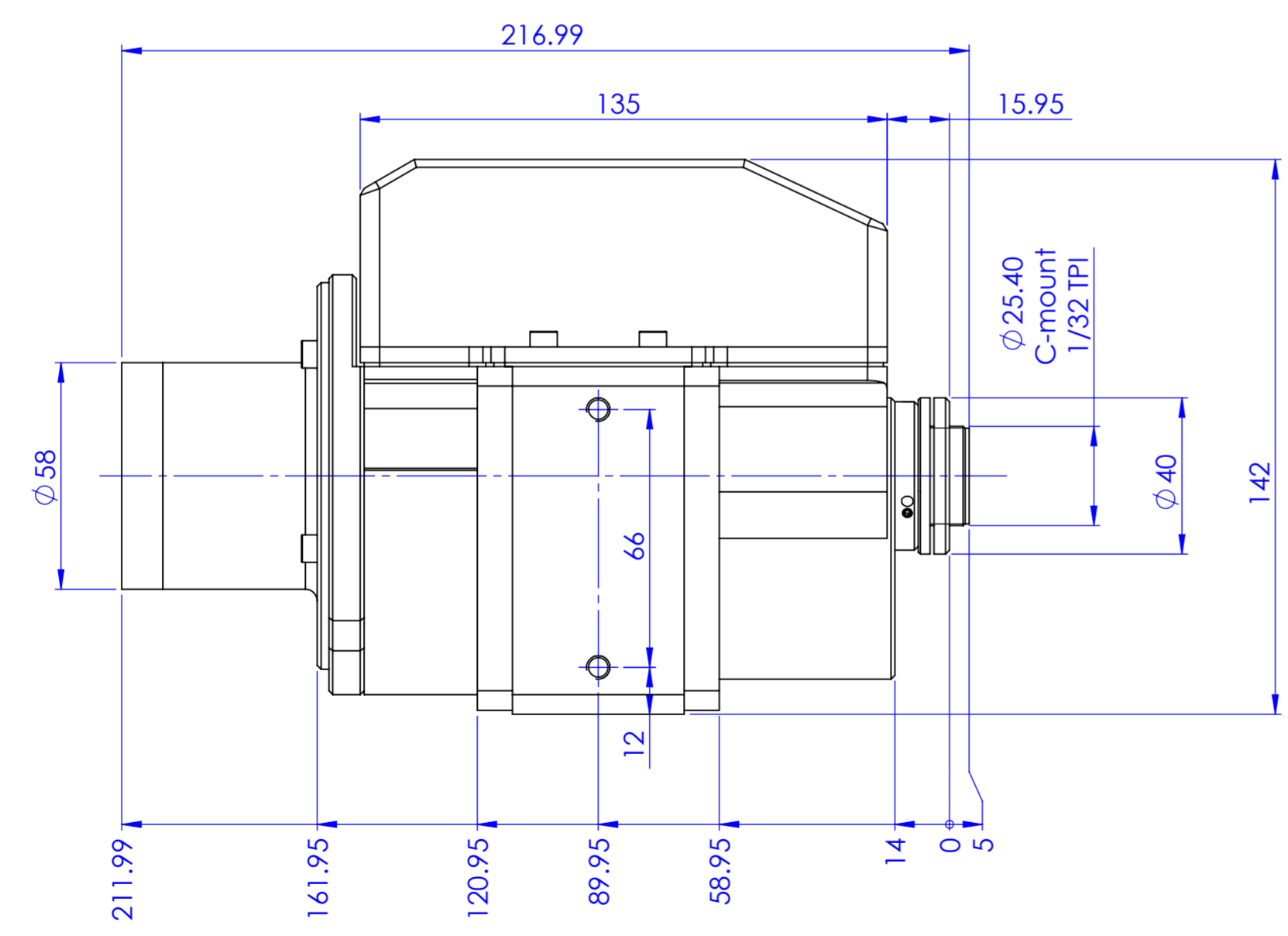
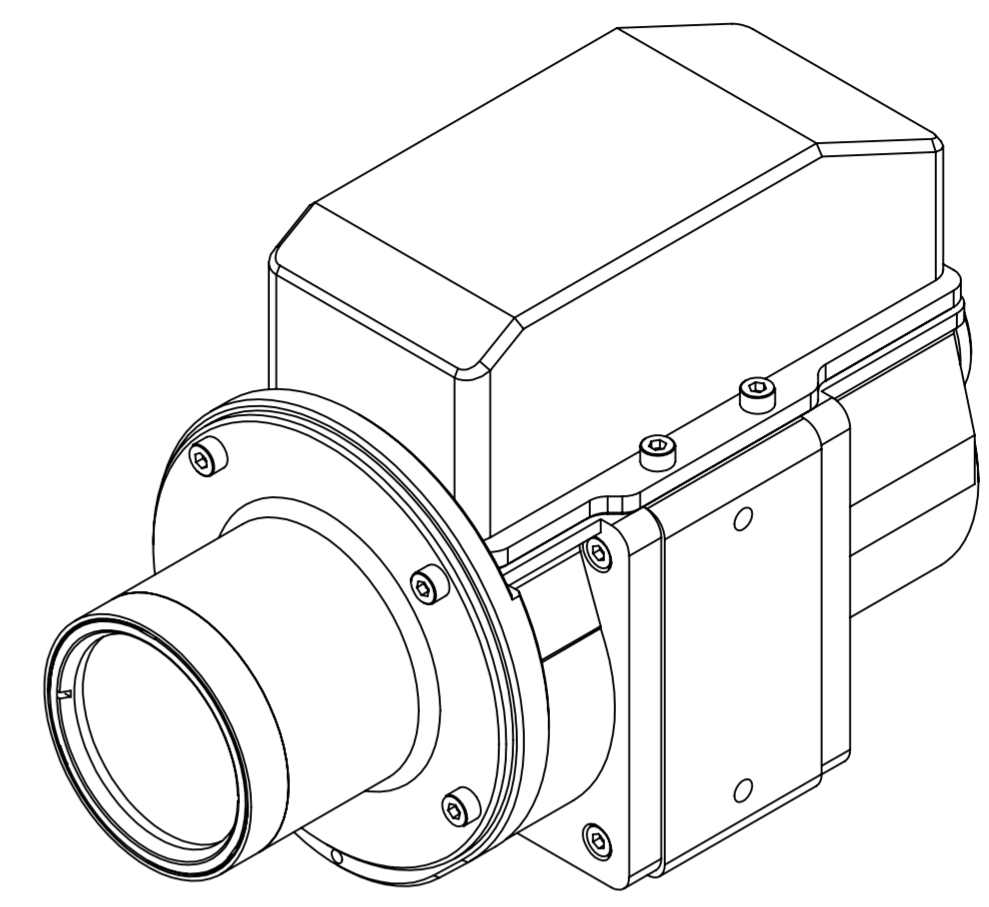
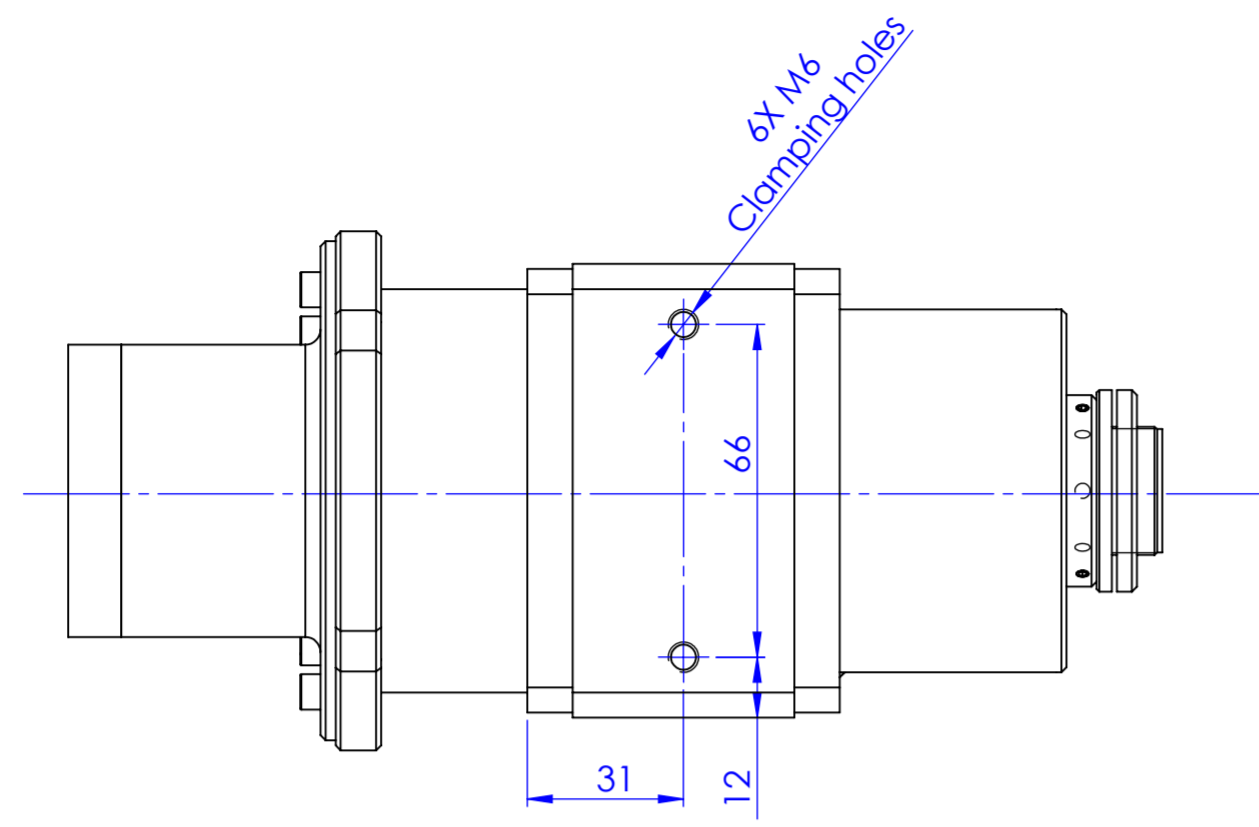


Rev No.	Description	Date	Name



Material	N.A.	Mass	2370 g	Scale	1:1.5																									
Surface treatment	N.A.	Part No.	CO27087																											
Geometrical tolerance (ISO 2768-2)	Class	K	Undimensioned bevels	0.5x45°	Description TCZR036S																									
Linear tolerance (ISO 2768-2)	Class	m	Undimensioned radii	R 0.5																										
<table border="1"> <tr> <td>0.5</td><td>>3+</td><td>>6+</td><td>>30+</td><td>>120</td><td>>400+</td><td>>1000</td><td>>2000</td> </tr> <tr> <td>+3</td><td>6</td><td>30</td><td>120</td><td>+400</td><td>1000</td><td>+2000</td><td>+4000</td> </tr> <tr> <td>±0.1</td><td>±0.1</td><td>±0.2</td><td>±0.3</td><td>±0.5</td><td>±0.8</td><td>±1.2</td><td>±2</td> </tr> </table>	0.5	>3+	>6+	>30+	>120	>400+	>1000	>2000	+3	6	30	120	+400	1000	+2000	+4000	±0.1	±0.1	±0.2	±0.3	±0.5	±0.8	±1.2	±2			Date	Name	Drawing No.	Sheet
	0.5	>3+	>6+	>30+	>120	>400+	>1000	>2000																						
	+3	6	30	120	+400	1000	+2000	+4000																						
±0.1	±0.1	±0.2	±0.3	±0.5	±0.8	±1.2	±2																							
OPTO ENGINEERING S.r.l. - Mantova Italy - Tel. +39 0376 699111 - www.opto-engineering.com		Designed	20/08/2017	Santini	DP 27087-A	1/1																								
		Drawn	26/09/2018	Ccharly																										
		Checked	26/09/2018	Ccharly																										
<small>Secret and confidential - All rights reserved - No copy, dissemination or circulation is allowed unless specifically authorized in writing by OPTO ENGINEERING S.r.l. - Any violation shall be legally prosecuted.</small>																														

all dimensions are in mm