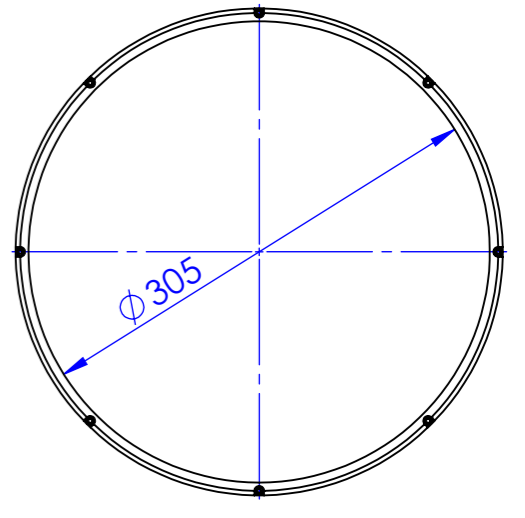
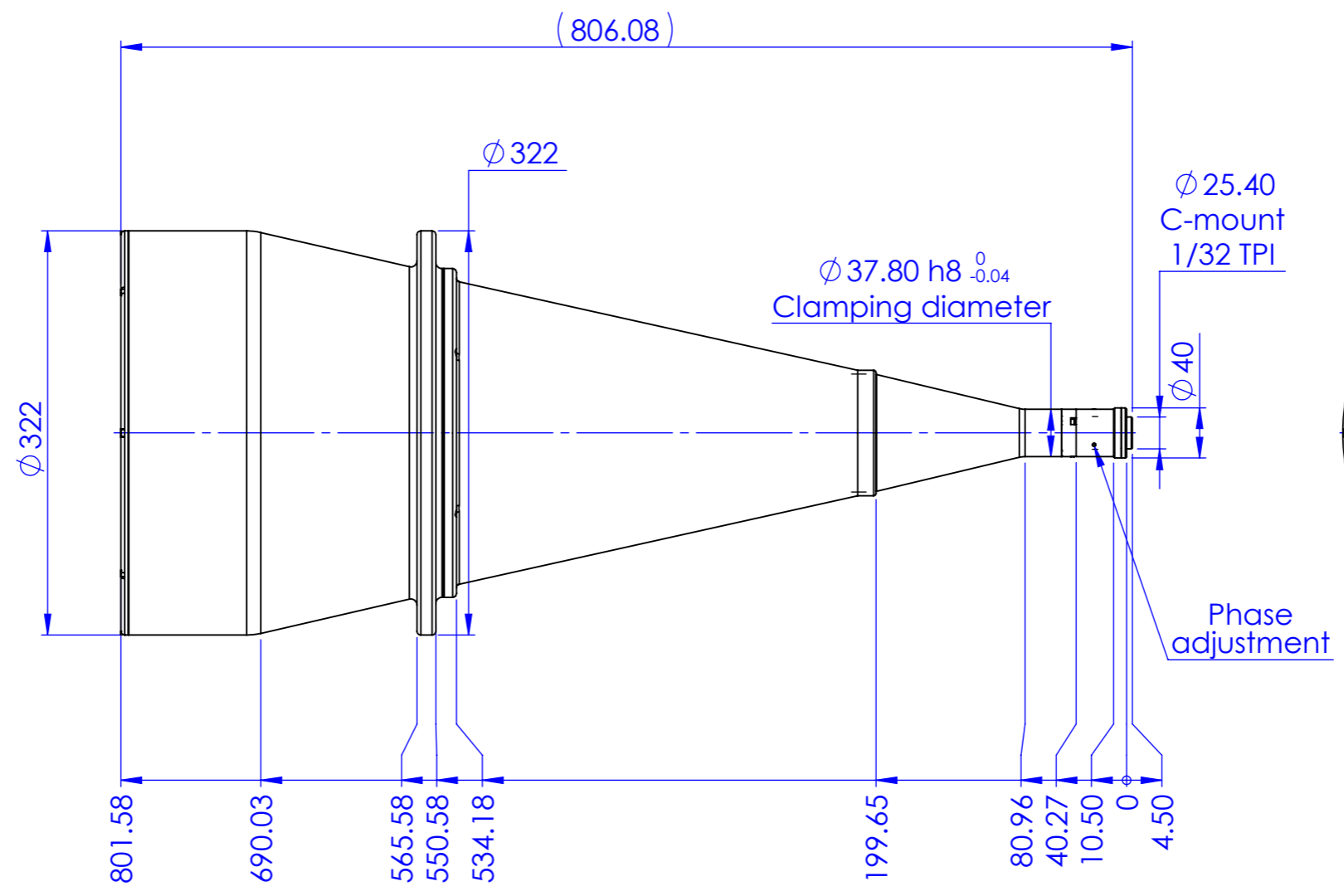
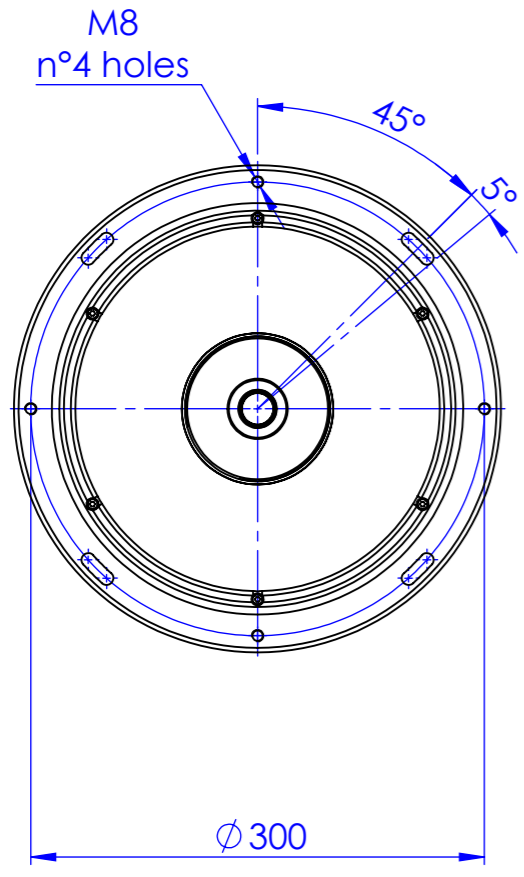


Rev No.	Description	Date	Name



Material	N.A.		Mass	18257 g	Scale	1:5
Surface treatment	N.A.		Part No.	CO26403		
Geometrical tolerance (ISO 2768-2)		Class	Description			
Linear tolerance (ISO 2768-2)		Class	TC3MHR240			
0.5 ±3	>3± 6	>6± 30	>30± 120	>120 ±400	>400± 1000	>1000 ±2000
±0.1	±0.1	±0.2	±0.3	±0.5	±0.8	±1.2
Undimensioned bevels		0.5x45°	Drawing No.			
Undimensioned radii		R 0.5	DP 26403-A			
Date		Name	Sheet			
Designed		Rodella	1/1			
Drawn		05/07/2018	newbie1			
Checked						
OPTO ENGINEERING S.r.l. - Mantova Italy - Tel. +39 0376 699111 - www.opto-engineering.com						
Secret and confidential - All rights reserved - No copy, dissemination or circulation is allowed unless specifically authorized in writing by OPTO ENGINEERING S.r.l. - Any violation shall be legally prosecuted.						

all dimensions are in mm