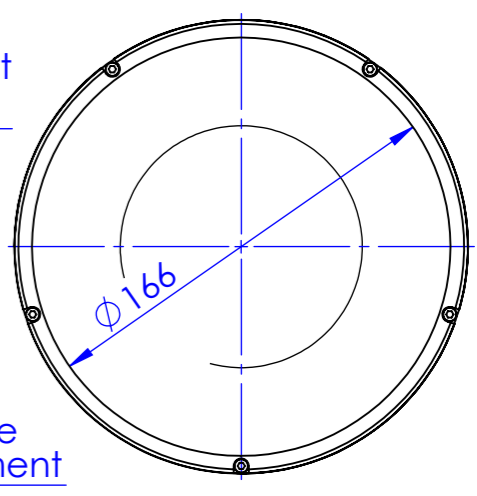
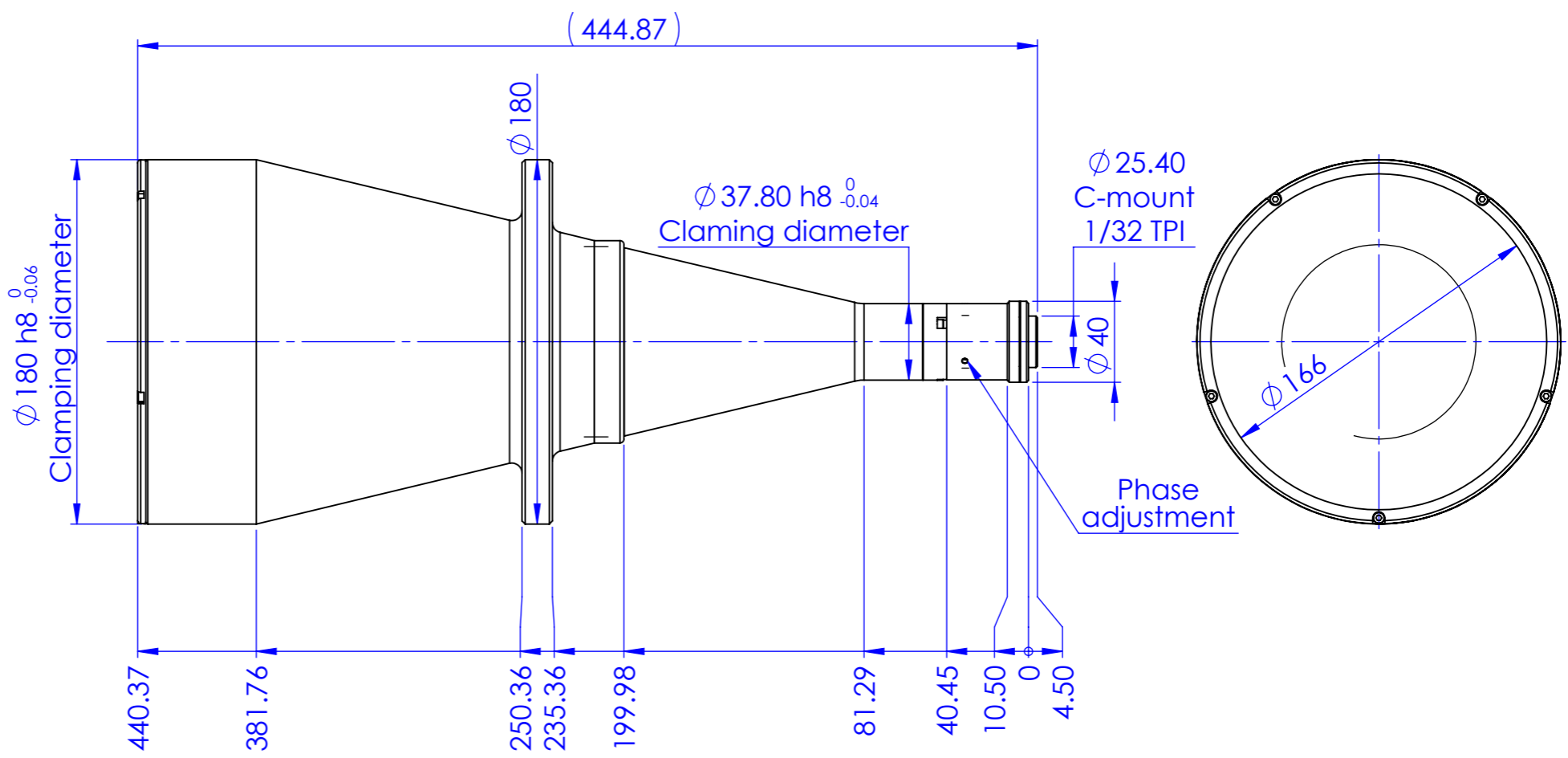
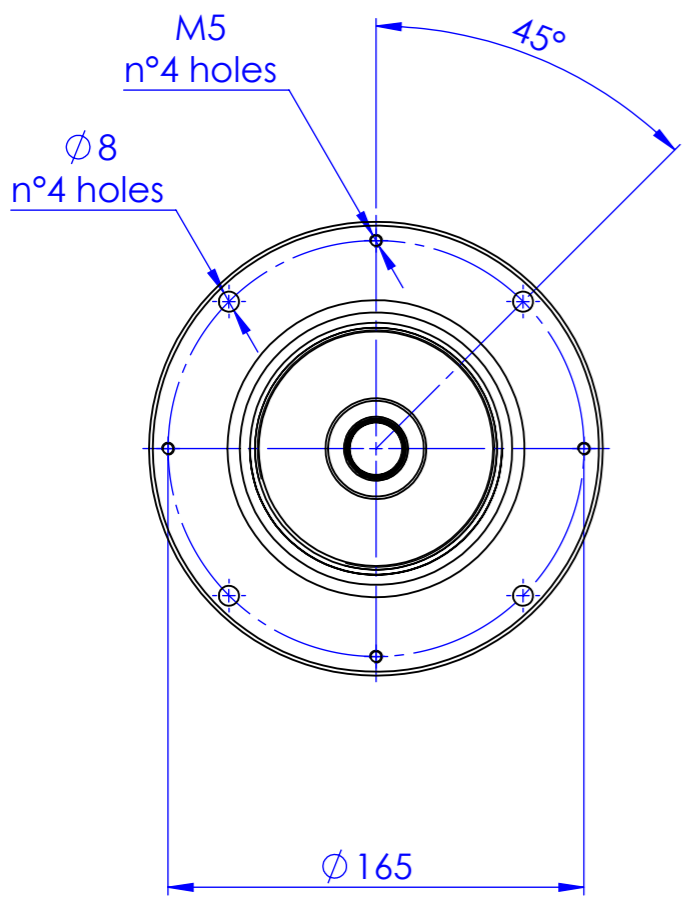


Rev No.	Description	Date	Name



Material	N.A.		Mass	4714 g	Scale	1:5																																																																											
Surface treatment	N.A.		Part No.	CO26385																																																																													
Geometrical tolerance (ISO 2768-2)			Description																																																																														
<table border="1"> <thead> <tr> <th>Linear tolerance (ISO 2768-2)</th> <th>Class</th> <th>K</th> <th>Undimensioned bevels</th> <th>Undimensioned radii</th> </tr> </thead> <tbody> <tr> <td>0.5</td> <td>3</td> <td>6</td> <td>0.5x45°</td> <td>R 0.5</td> </tr> <tr> <td>>3±</td> <td>6</td> <td>30</td> <td></td> <td></td> </tr> <tr> <td>>6±</td> <td>30</td> <td>120</td> <td></td> <td></td> </tr> <tr> <td>>30±</td> <td>120</td> <td>400</td> <td></td> <td></td> </tr> <tr> <td>>120</td> <td>400</td> <td>1000</td> <td></td> <td></td> </tr> <tr> <td>>400±</td> <td>1000</td> <td>2000</td> <td></td> <td></td> </tr> <tr> <td>>1000</td> <td>2000</td> <td>4000</td> <td></td> <td></td> </tr> <tr> <td>>2000</td> <td>4000</td> <td></td> <td></td> <td></td> </tr> <tr> <td>±0.1</td> <td>±0.1</td> <td>±0.2</td> <td></td> <td></td> </tr> <tr> <td></td> <td></td> <td>±0.3</td> <td></td> <td></td> </tr> <tr> <td></td> <td></td> <td>±0.5</td> <td></td> <td></td> </tr> <tr> <td></td> <td></td> <td>±0.8</td> <td></td> <td></td> </tr> <tr> <td></td> <td></td> <td>±1.2</td> <td></td> <td></td> </tr> <tr> <td></td> <td></td> <td>±2</td> <td></td> <td></td> </tr> </tbody> </table>			Linear tolerance (ISO 2768-2)	Class	K	Undimensioned bevels	Undimensioned radii	0.5	3	6	0.5x45°	R 0.5	>3±	6	30			>6±	30	120			>30±	120	400			>120	400	1000			>400±	1000	2000			>1000	2000	4000			>2000	4000				±0.1	±0.1	±0.2					±0.3					±0.5					±0.8					±1.2					±2			TC3MHR120			
Linear tolerance (ISO 2768-2)	Class	K	Undimensioned bevels	Undimensioned radii																																																																													
0.5	3	6	0.5x45°	R 0.5																																																																													
>3±	6	30																																																																															
>6±	30	120																																																																															
>30±	120	400																																																																															
>120	400	1000																																																																															
>400±	1000	2000																																																																															
>1000	2000	4000																																																																															
>2000	4000																																																																																
±0.1	±0.1	±0.2																																																																															
		±0.3																																																																															
		±0.5																																																																															
		±0.8																																																																															
		±1.2																																																																															
		±2																																																																															
<p>all dimensions are in mm</p> <p>OPTO ENGINEERING S.r.l. - Mantova Italy - Tel. +39 0376 699111 - www.opto-engineering.com</p>			Date	Name	Drawing No.	Sheet																																																																											
			Designed	Rodella	DP 26385-A	1/1																																																																											
			Drawn	05/07/2018			newbie1																																																																										
Secret and confidential - All rights reserved - No copy, dissemination or circulation is allowed unless specifically authorized in writing by OPTO ENGINEERING S.r.l. - Any violation shall be legally prosecuted.																																																																																	