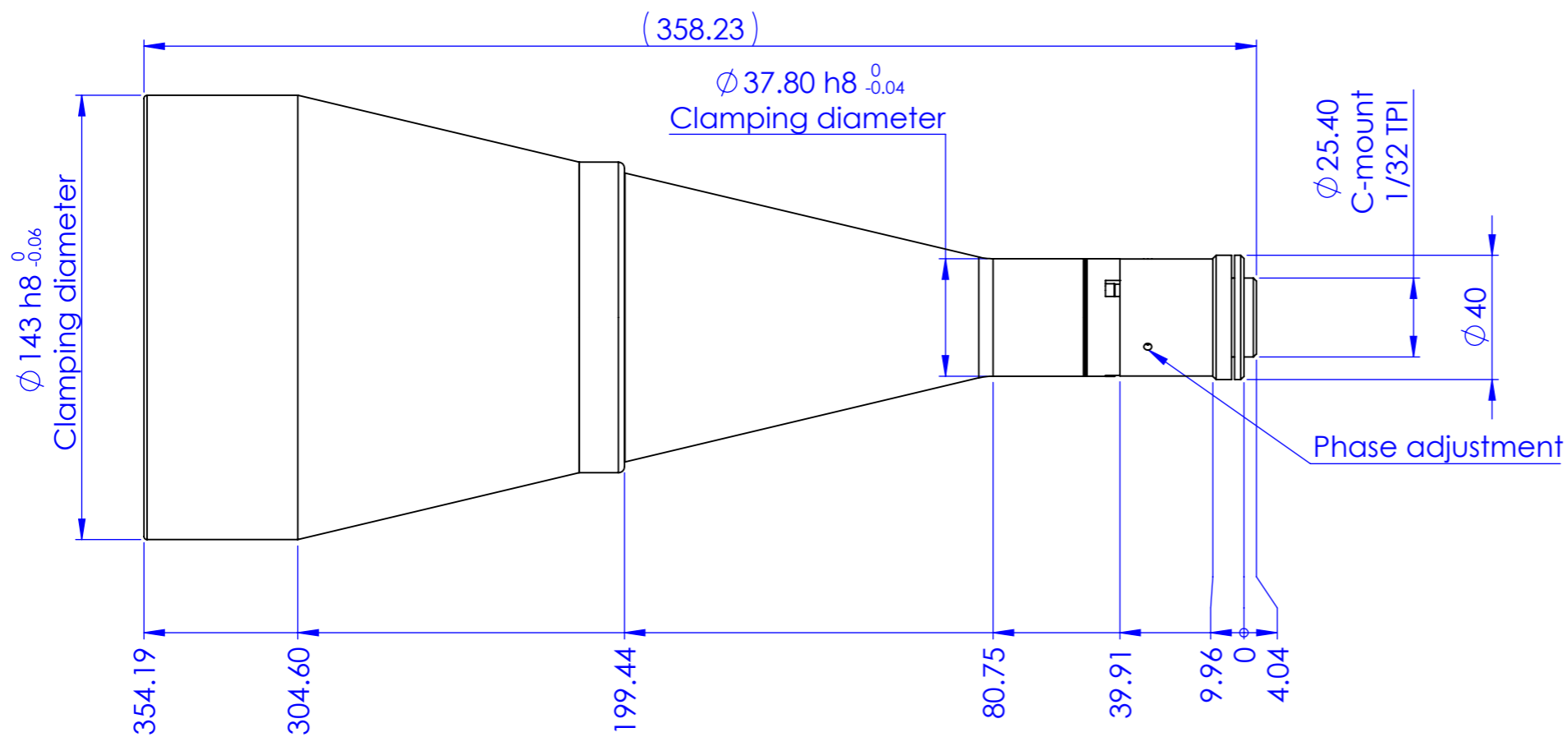


Rev No.	Description	Date	Name
B	Aggiornata lunghezza obiettivo	02/07/2019	Ccharly



Material	N.A.		Mass	2256 g	Scale	1:5
Surface treatment	N.A.		Part No.	CO26382		
Geometrical tolerance (ISO 2768-2)	Class	K	Undimensioned bevels	0.5x45°		
Linear tolerance (ISO 2768-2)	Class	m	Undimensioned radii	R 0.5		
0.5 ±3	>3± 6	>6± 30	>30± 120	>120 ±400	>400± 1000	>1000 ±2000
±0.1	±0.1	±0.2	±0.3	±0.5	±0.8	±1.2
 OPTO ENGINEERING S.r.l. - Mantova Italy - Tel. +39 0376 699111 - www.opto-engineering.com	Designed	Date	Name	Drawing No.		
	Drawn	05/07/2018	newbie1	DP 26382-B		
	Checked			Sheet		
				1/1		
<i>Secret and confidential - All rights reserved - No copy, dissemination or circulation is allowed unless specifically authorized in writing by OPTO ENGINEERING S.r.l. - Any violation shall be legally prosecuted.</i>						

all dimensions are in mm