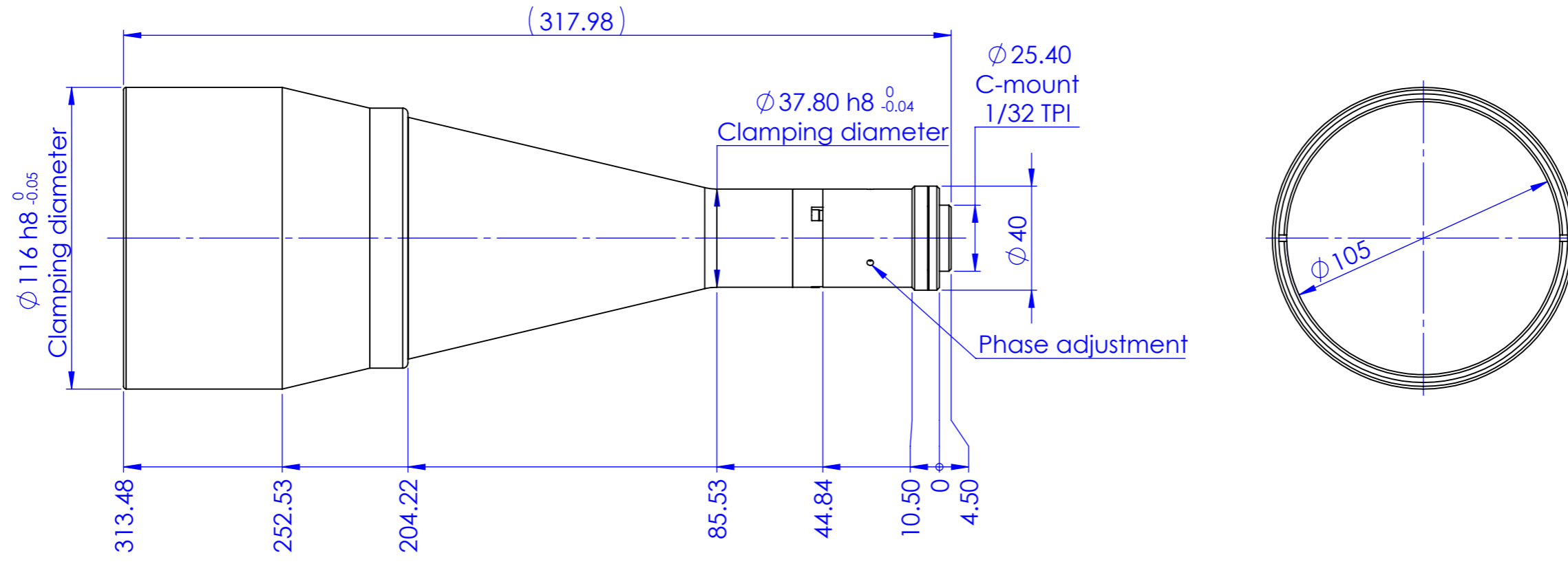


1 2 3 4 5 6 7 8

Rev No.	Description	Date	Name



Material	N.A.	Mass	1479 g	Scale	1:2
Surface treatment	N.A.	Part No.	CO26381		
Geometrical tolerance (ISO 2768-2)	Class	K	Undimensioned bevels	0.5x45°	Description <b>TC3MHR080</b>
Linear tolerance (ISO 2768-2)	Class	m	Undimensioned radii	R 0.5	
	Designed	Date	Name	Drawing No.	Sheet
	Drawn	05/07/2018	newbie1	<b>DP 26381 -A</b>	1/1
	Checked				
OPTO ENGINEERING S.r.l. - Mantova Italy - Tel. +39 0376 699111 - www.opto-engineering.com Secret and confidential - All rights reserved - No copy, dissemination or circulation is allowed unless specifically authorized in writing by OPTO ENGINEERING S.r.l. - Any violation shall be legally prosecuted.					

1 2 3 4 5 6 7 8

0 1 2 3 4 5 6 7 8 9 10