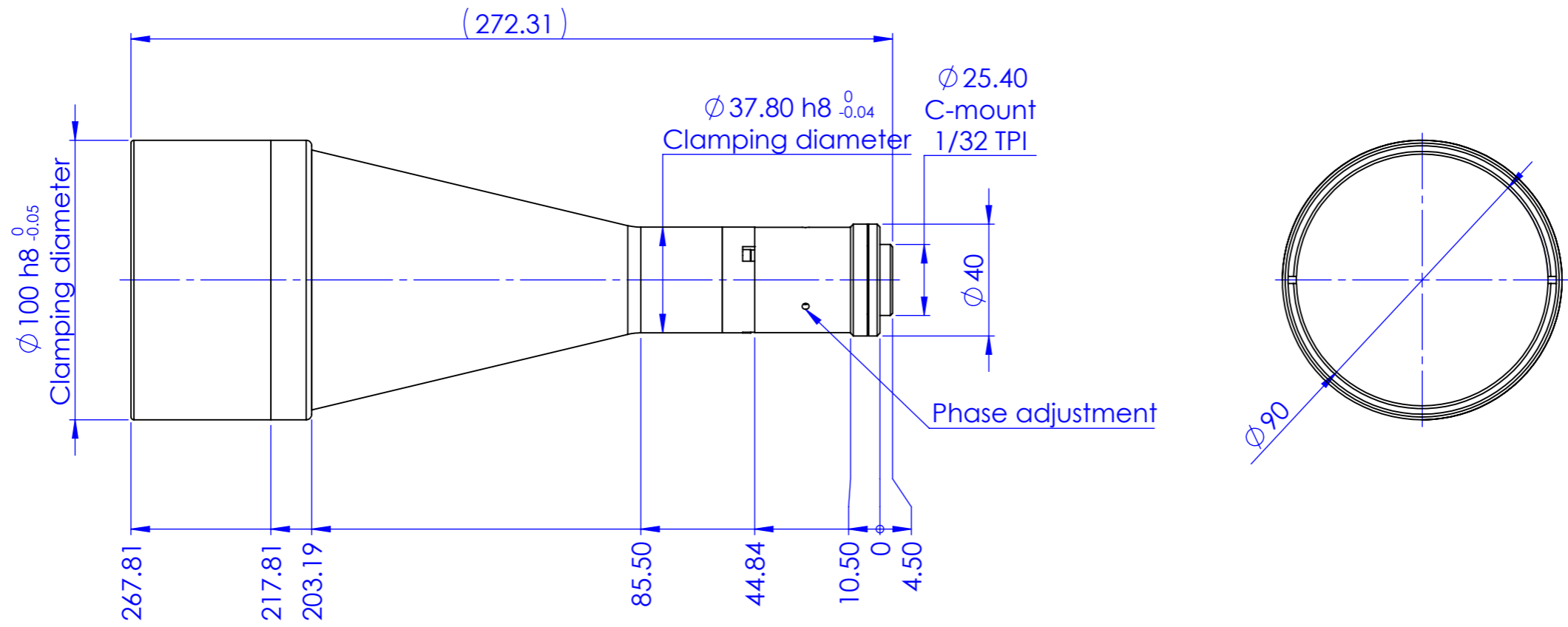



1 2 3 4 5 6 7 8

Rev No.	Description	Date	Name



Material	N.A.	Mass	1047 g	Scale	1:2						
Surface treatment	N.A.	Part No.	CO26380								
Geometrical tolerance (ISO 2768-2)	Class	K	Undimensioned bevels	0.5x45°	Description <b>TC3MHR064</b>						
Linear tolerance (ISO 2768-2)	Class	m	Undimensioned radii	R 0.5							
0.5 ±3	>3÷ 6	>6÷ 30	>30÷ 120	>120 ±400	>400± 1000	>1000 ±2000	>2000 ±4000	Date	Name	Drawing No.	Sheet
±0.1	±0.1	±0.2	±0.3	±0.5	±0.8	±1.2	±2	04/07/2018	Vasconetto	DP 26380-A	1/1
 <p>all dimensions are in mm</p> <p>OPTO ENGINEERING S.r.l. - Mantova Italy - Tel. +39 0376 699111 - www.opto-engineering.com</p>											
<p>Secret and confidential - All rights reserved - No copy, dissemination or circulation is allowed unless specifically authorized in writing by OPTO ENGINEERING S.r.l. - Any violation shall be legally prosecuted.</p>											

1 2 3 4 5 6 7 8

0 1 2 3 4 5 6 7 8 9 10