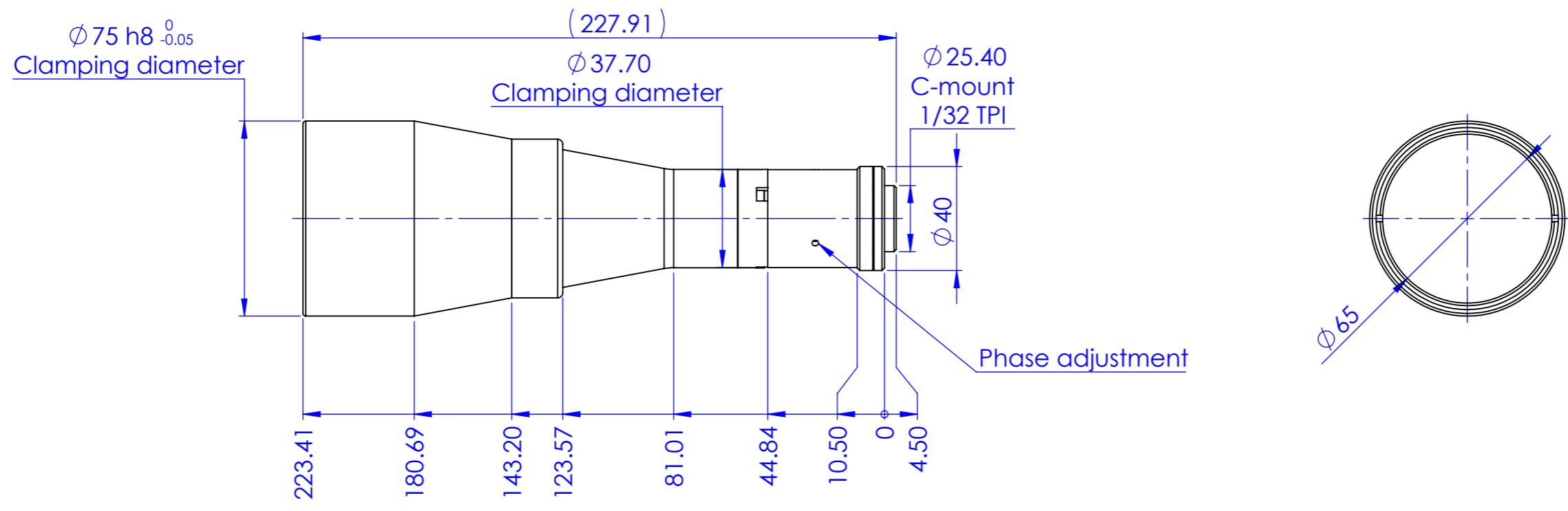


1 2 3 4 5 6 7 8

Rev No.	Description	Date	Name



D
C
B
A

D
C
B
A

Material	N.A.		Mass	721 g	Scale	1:2	
Surface treatment	N.A.		Part No.	CO26378			
Geometrical tolerance (ISO 2768-2)		Class	K	Undimensioned bevels	0.5x45°	Description TC3MHR048	
Linear tolerance (ISO 2768-2)		Class	m	Undimensioned radii	R 0.5		
0.5 ±3	>3± 6	>6± 30	>30± 120	>120 ±400	>400± 1000	>1000 ±2000	>2000 ±4000
±0.1	±0.1	±0.2	±0.3	±0.5	±0.8	±1.2	±2
		Date	Name	Drawing No.			Sheet
		Designed	Rodella	DP 26378-A			1/1
		Drawn	04/07/2018	Vasconetto	<i>Secret and confidential - All rights reserved - No copy, dissemination or circulation is allowed unless specifically authorized in writing by OPTO ENGINEERING S.r.l. - Any violation shall be legally prosecuted.</i>		
Checked		OPTO ENGINEERING S.r.l. - Mantova Italy - Tel. +39 0376 699111 - www.opto-engineering.com					

1 2 3 4 5 6 7 8

0 1 2 3 4 5 6 7 8 9 10