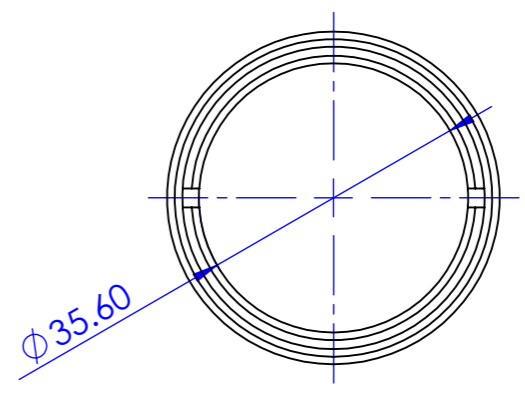
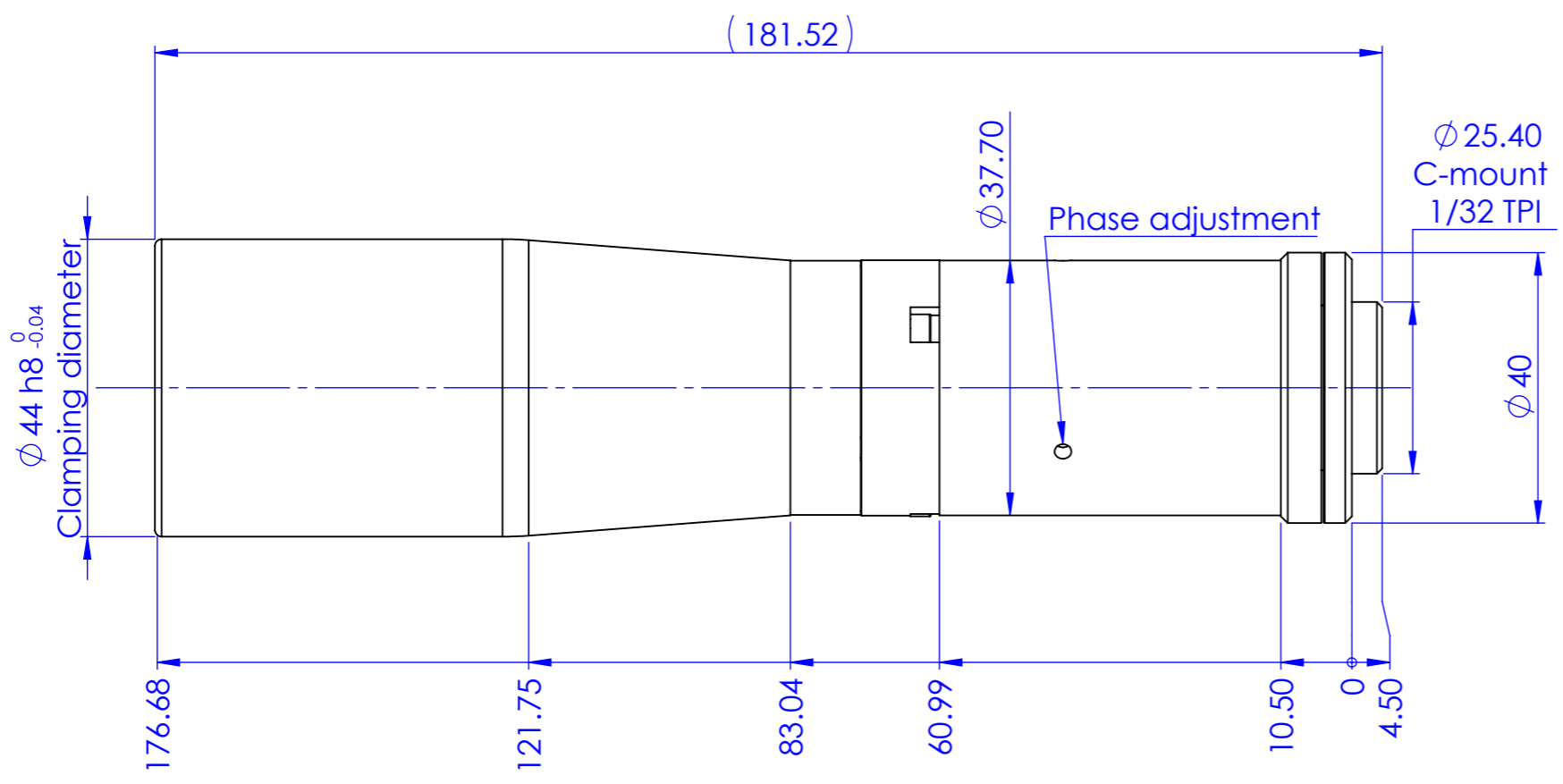


Rev No.	Description	Date	Name



D
C
B
A

D
C
B
A

Material		N.A.				Mass	434 g	Scale	1:1
Surface treatment		N.A.				Part No. CO26375			
Geometrical tolerance (ISO 2768-2)						Class		K	
Linear tolerance (ISO 2768-2)						Class		m	
0.5 ±3	>3÷ 6	>6÷ 30	>30÷ 120	>120 ±400	>400÷ 1000	>1000 ±2000	>2000 ±4000	Undimensioned bevels	0.5x45°
±0.1	±0.1	±0.2	±0.3	±0.5	±0.8	±1.2	±2	Undimensioned radii	R 0.5
						Date		Name	
						Designed		Rodella	
						Drawn		04/07/2018 Vasconetto	
Drawing No. DP 26375-A						Sheet		1/1	
Secret and confidential - All rights reserved - No copy, dissemination or circulation is allowed unless specifically authorized in writing by OPTO ENGINEERING S.r.l. - Any violation shall be legally prosecuted.									

all dimensions are in mm