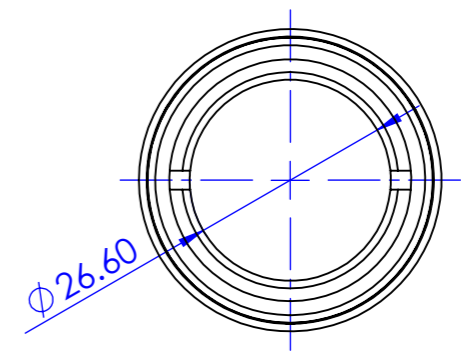
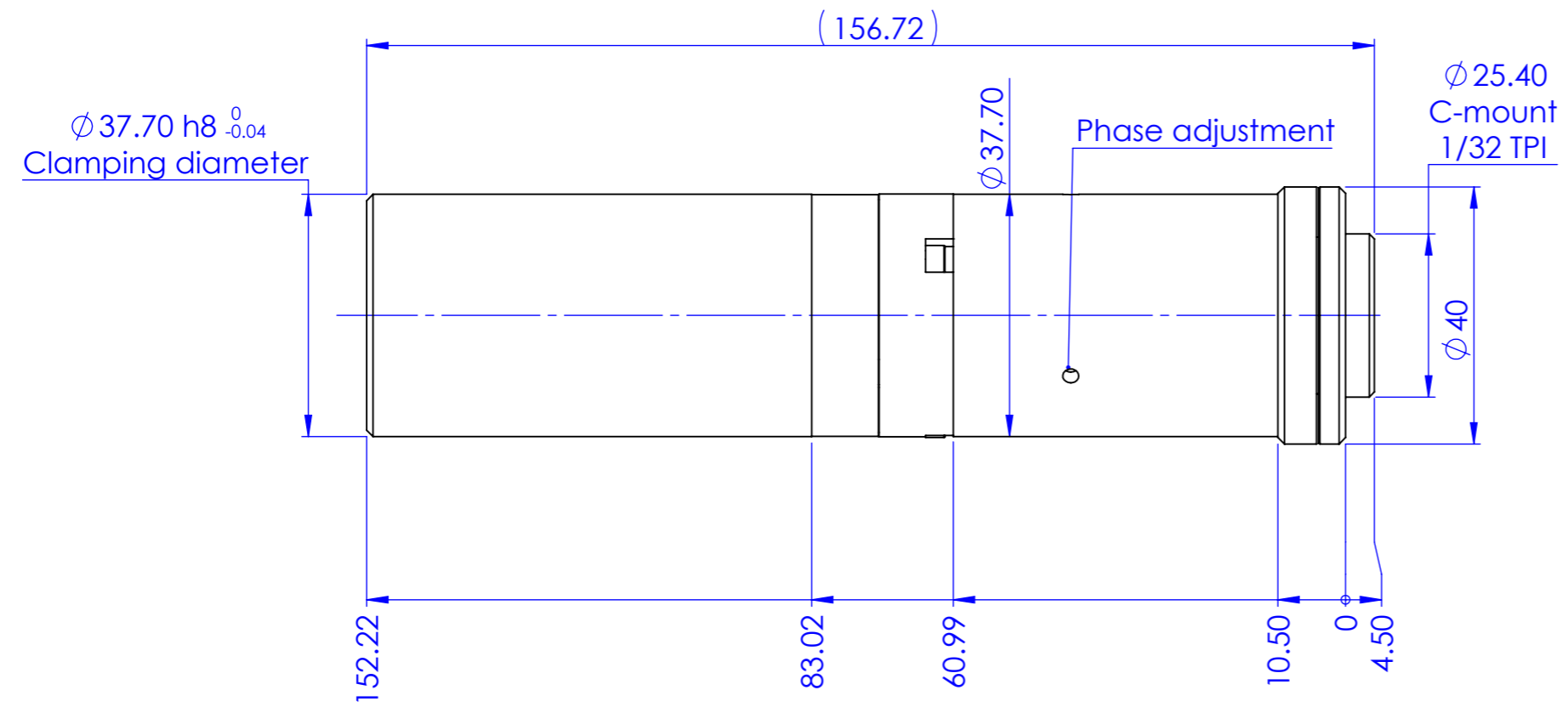


1 2 3 4 5 6 7 8

Rev No.	Description	Date	Name



D
C
B
A

D
C
B
A

Material		N.A.		Mass		346 g		Scale		1:1	
Surface treatment		N.A.		Part No.		CO26374					
Geometrical tolerance (ISO 2768-2)								Class		K	
Linear tolerance (ISO 2768-2)								Class		m	
0.5 ±3	>3± 6	>6± 30	>30± 120	>120 ±400	>400± 1000	>1000 ±2000	>2000 ±4000	Undimensioned bevels	0.5x45°	Description	
±0.1	±0.1	±0.2	±0.3	±0.5	±0.8	±1.2	±2	Undimensioned radii	R 0.5	TC3MHR016	
				Date		Name		Drawing No.		Sheet	
				Designed		Rodella		DP 26374-A		1/1	
				Drawn		04/07/2018 Vasconetto					
OPTO ENGINEERING S.r.l. - Mantova Italy - Tel. +39 0376 699111 - www.opto-engineering.com				Secret and confidential - All rights reserved - No copy, dissemination or circulation is allowed unless specifically authorized in writing by OPTO ENGINEERING S.r.l. - Any violation shall be legally prosecuted.							

1 2 3 4 5 6 7 8

0 1 2 3 4 5 6 7 8 9 10

all dimensions are in mm