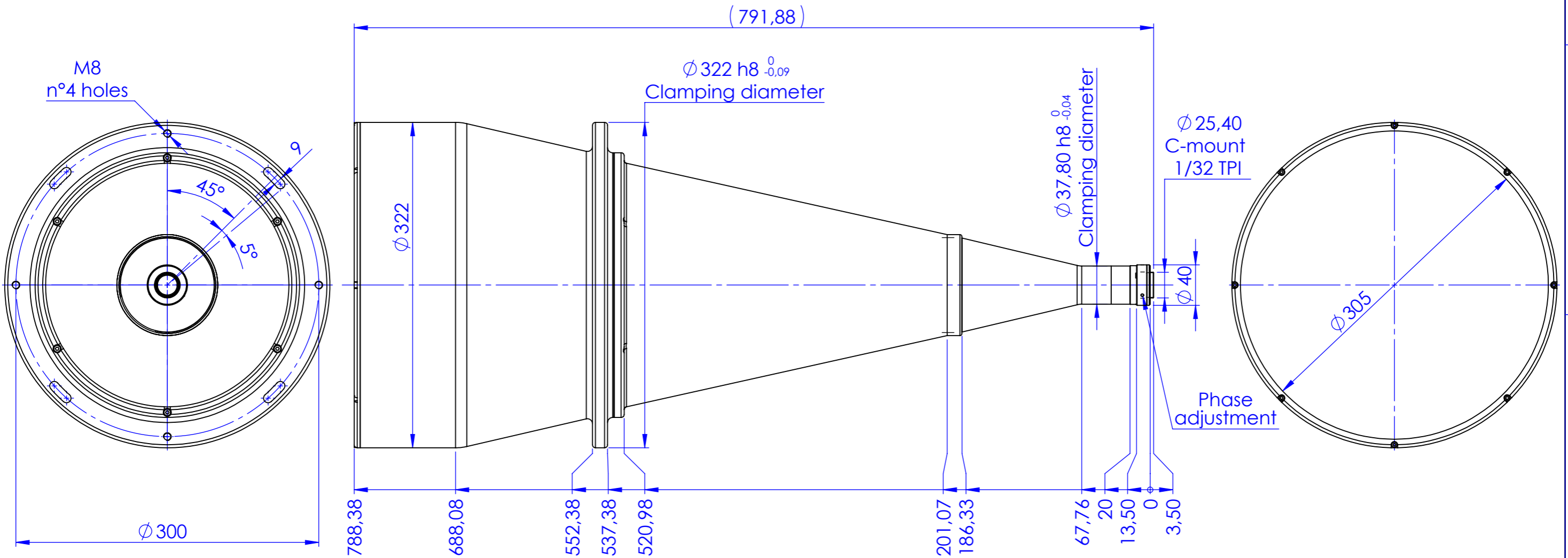


FOR MISSING DIMENSIONS SEE DW26187-A.STEP

| Rev No. | Description | Date | Name |
|---------|-------------|------|------|
| | | | |
| | | | |
| | | | |

D
C
B
A

D
C
B
A



| | | | | | | |
|--|----------|-----------|---|--------------|---------------|----------------|
| Material | N.A. | | Mass | g | Scale | 1:5 |
| Surface treatment | N.A. | | Part No. | CO26187 | | |
| Geometrical tolerance (ISO 2768-2) | Class | K | Undimensioned bevels | 0,5x45° | | |
| Linear tolerance (ISO 2768-2) | Class | m | Undimensioned radii | R 0,5 | | |
| 0,5 ±3 | >3± 6 | >6± 30 | >30± 120 | >120 ±400 | >400± 1000 | >1000 ±2000 |
| ±0,1 | ±0,1 | ±0,2 | ±0,3 | ±0,5 | ±0,8 | ±1,2 |
| | | | Date | Name | Drawing No. | Sheet |
| | | | Designed | 10/07/2017 | Vasconetto | DP 26187-A |
| | | | Drawn | 05/07/2018 | Vasconetto | |
| | | | Checked | | | |
| OPTO ENGINEERING S.r.l. - Mantova Italy - Tel. +39 0376 699111 - www.opto-engineering.com | | | <i>Secret and confidential - All rights reserved - No copy, dissemination or circulation is allowed unless specifically authorized in writing by OPTO ENGINEERING S.r.l. - Any violation shall be legally prosecuted.</i> | | | 1/1 |

all dimensions are in mm

1 2 3 0 1 2 3 4 5 6 7 8 9 10 6 7 8