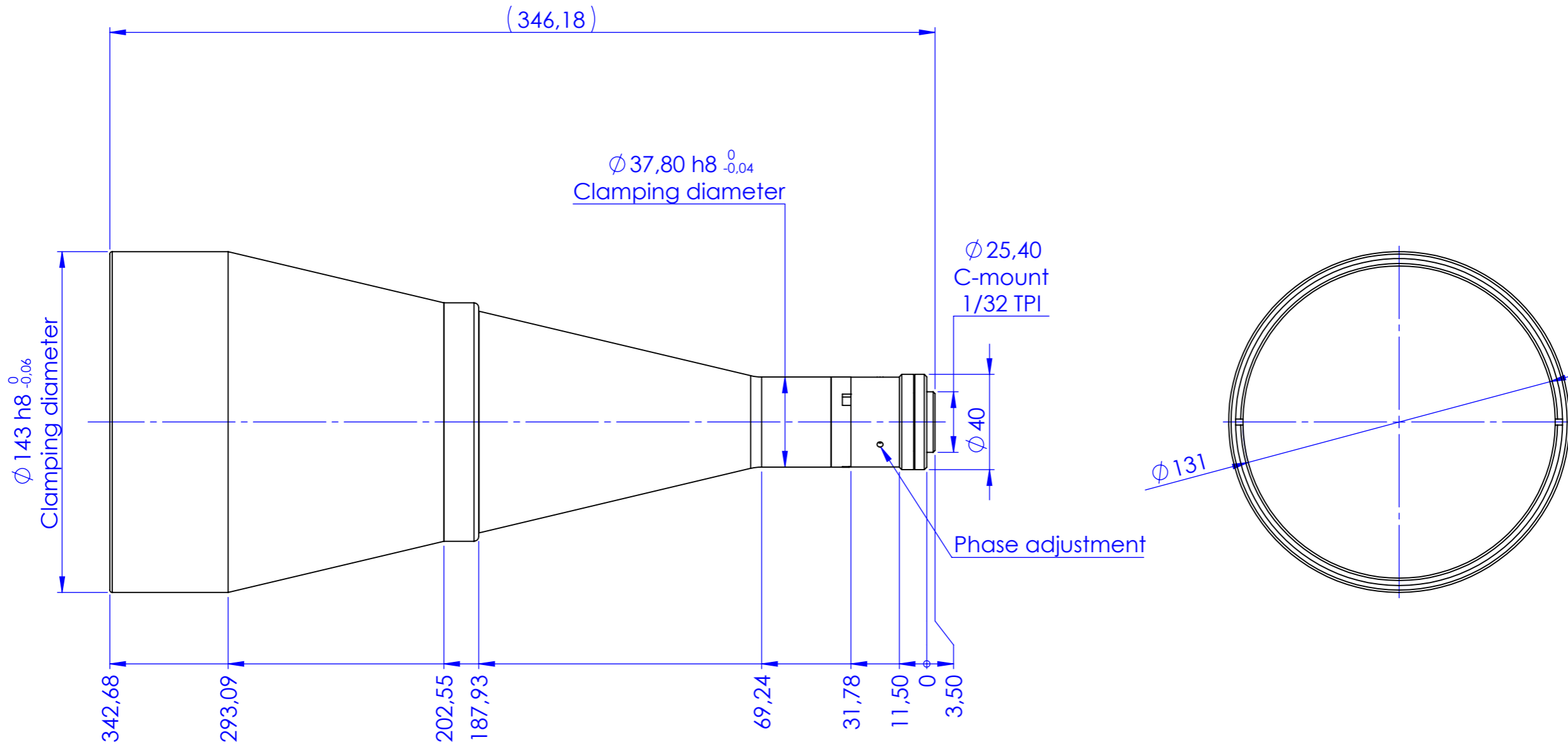


FOR MISSING DIMENSIONS SEE DW26183-A.STEP

Rev No.	Description	Date	Name



Material	N.A.		Mass	g	Scale	1:5
Surface treatment	N.A.		Part No.	CO26183		
Geometrical tolerance (ISO 2768-2)	Class	K	Undimensioned bevels	0.5x45°		
Linear tolerance (ISO 2768-2)	Class	m	Undimensioned radii	R 0.5		
0.5 ±3	>3± 6	>6± 30	>30± 120	>120 ±400	>400± 1000	>1000 ±2000
±0.1	±0.1	±0.2	±0.3	±0.5	±0.8	±1.2
 OPTO ENGINEERING OPTO ENGINEERING S.r.l. - Mantova Italy - Tel. +39 0376 699111 - www.opto-engineering.com	Date	Name	Drawing No.	Sheet		
	Designed	10/07/2017	Vasconetto	DP 26183-A		
	Drawn	05/07/2018	Vasconetto	1/1		
Secret and confidential - All rights reserved - No copy, dissemination or circulation is allowed unless specifically authorized in writing by OPTO ENGINEERING S.r.l. - Any violation shall be legally prosecuted.						

all dimensions are in mm