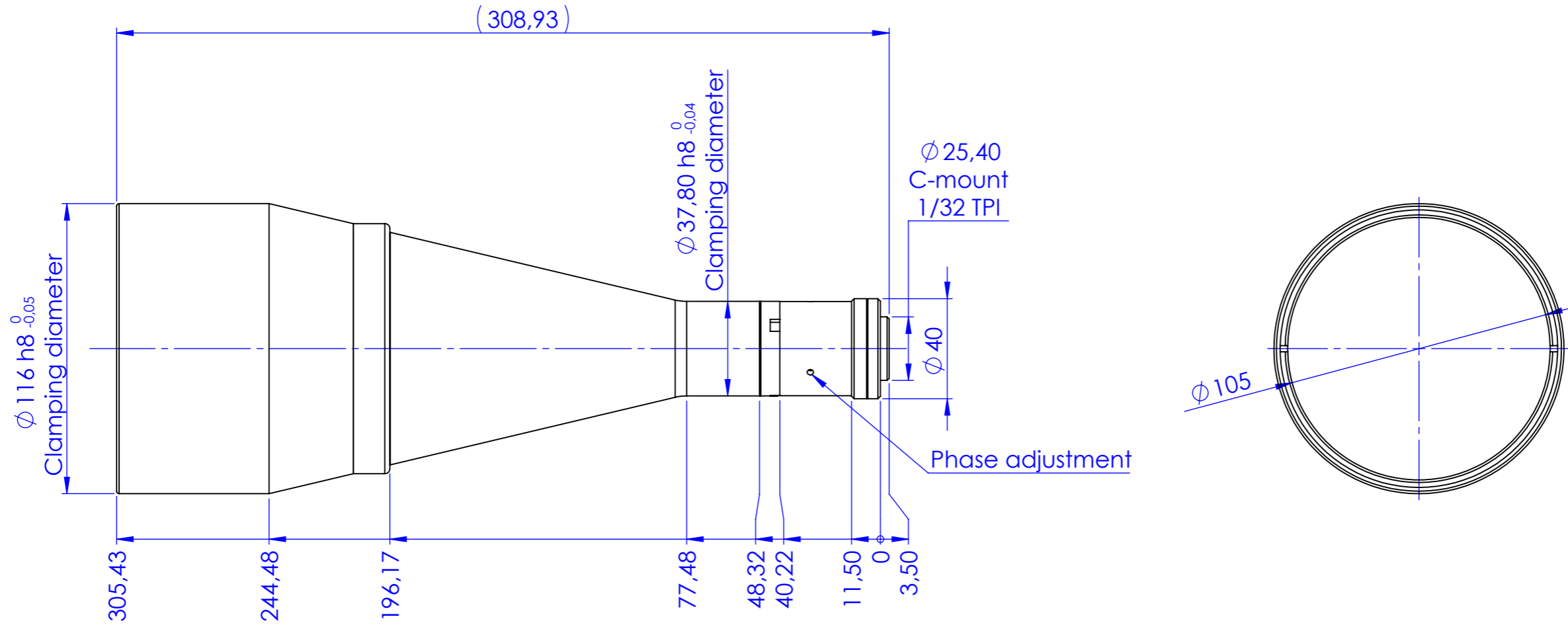


FOR MISSING DIMENSIONS SEE DW26182-A.STEP

Rev No.	Description	Date	Name



Material	N.A.		Mass	g	Scale	1:2
Surface treatment	N.A.		Part No.	CO26182		
Geometrical tolerance (ISO 2768-2)	Class	K	Undimensioned bevels	0.5x45°		
Linear tolerance (ISO 2768-2)	Class	m	Undimensioned radii	R 0.5		
0.5 ±3	>3÷ 6	>6÷ 30	>30÷ 120	>120 ±400	>400÷ 1000	>1000 ±2000
±0.1	±0.1	±0.2	±0.3	±0.5	±0.8	±1.2
	Date	Name	Drawing No.			
	Designed	10/07/2017	Vasconetto	DP 26182-A		
	Drawn	05/07/2018	Vasconetto	Sheet 1/1		
Checked			Secret and confidential - All rights reserved - No copy, dissemination or circulation is allowed unless specifically authorized in writing by OPTO ENGINEERING S.r.l. - Any violation shall be legally prosecuted.			
OPTO ENGINEERING S.r.l. - Mantova Italy - Tel. +39 0376 699111 - www.opto-engineering.com						

all dimensions are in mm

D
C
B
A

D
C
B
A

1 2 3 4 5 6 7 8

1 2 3 0 1 2 3 4 5 6 7 8 9 10 6 7 8